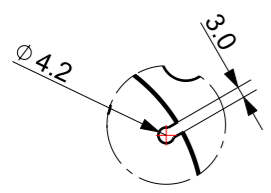
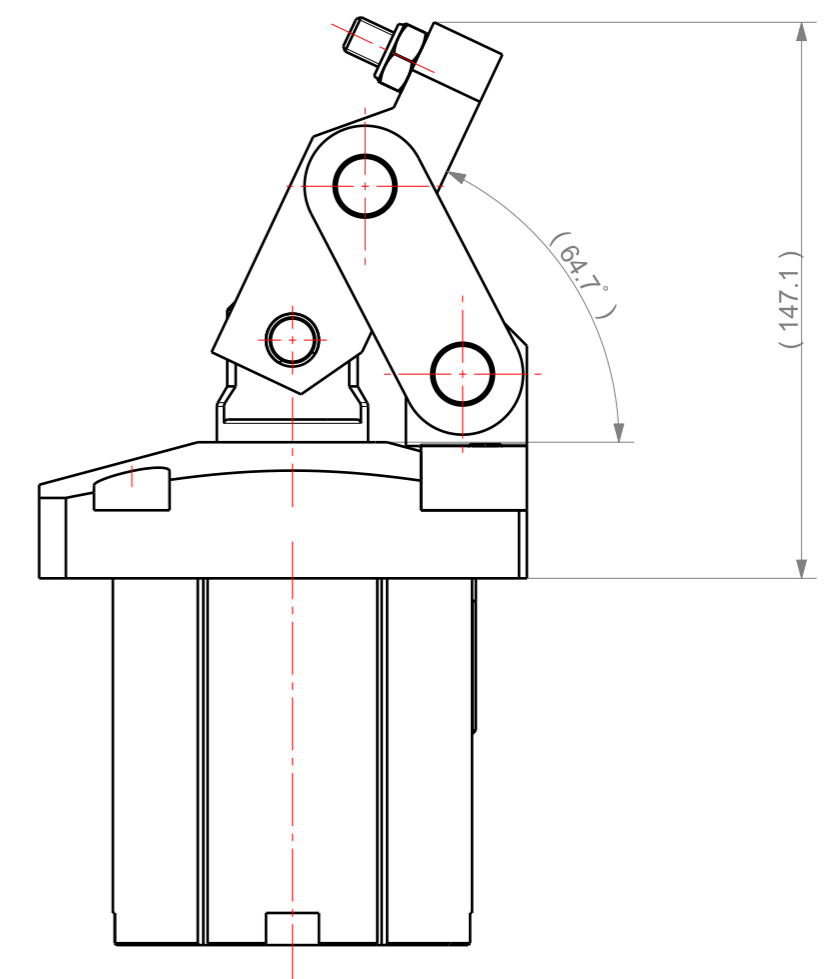
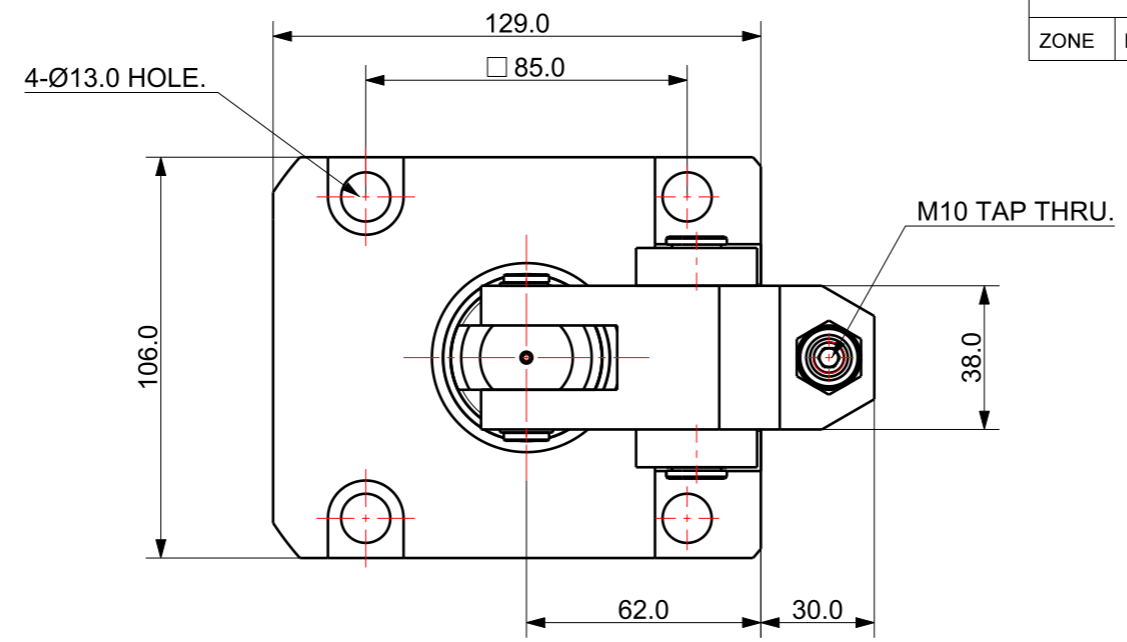


8 7 6 5 4 3 2 1

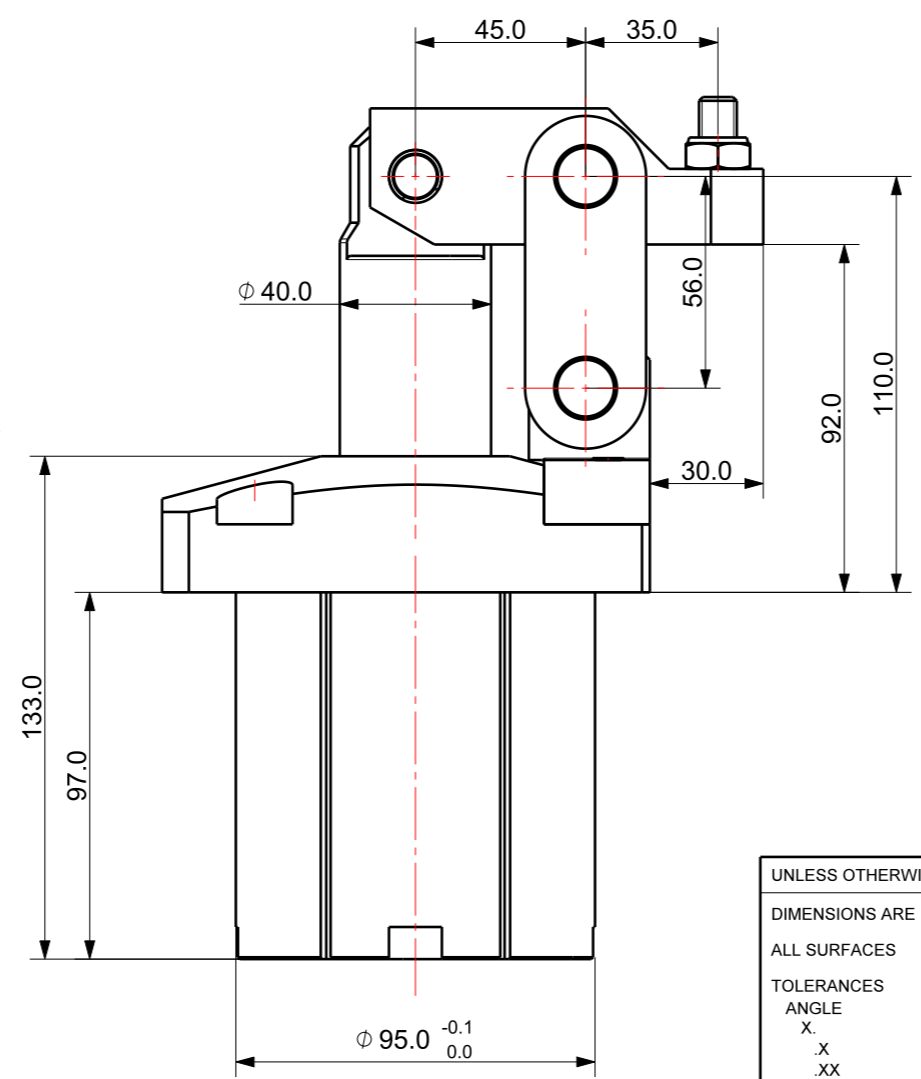
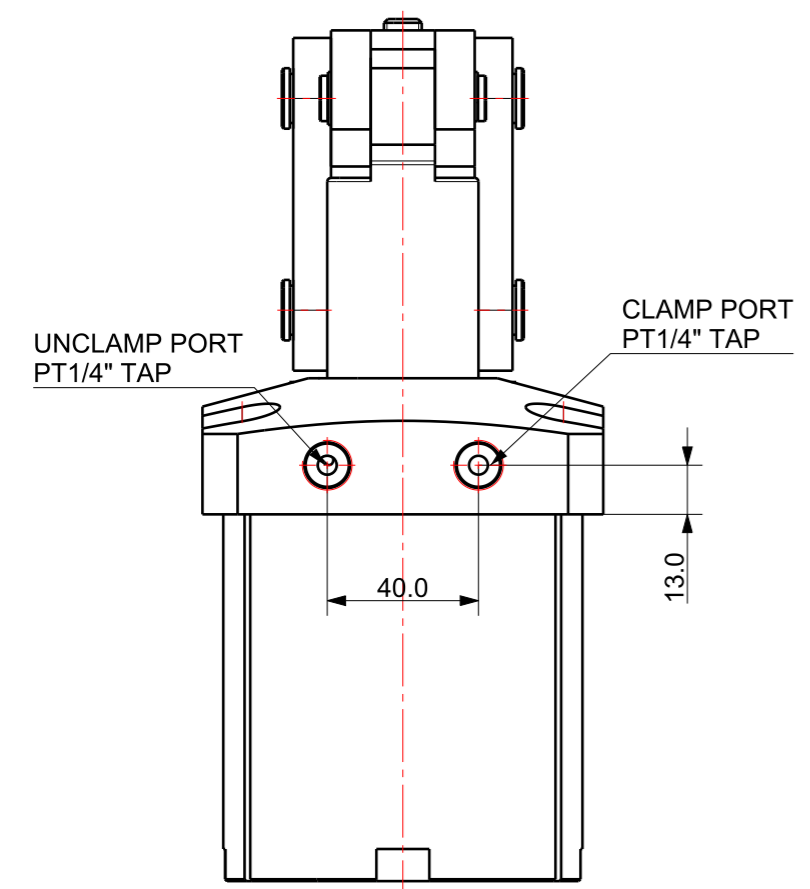
FILE NAME:

REVISIONS

ZONE	LTR	DESCRIPTION	DATE	APPROVED



MAGNET SENSOR (4EA)



DET. NO	NAME	QTY	MAT'L	FINAL SIZES & PART No	REMARK

UNLESS OTHERWISE SPECIFIED  
 DIMENSIONS ARE IN MM  
 ALL SURFACES 6.3S  
 TOLERANCES  
 ANGLE ±  
 .X ±  
 .XX ± 0.15  
 ±  
 FINISH BLACK OXIDE  
 HEAT TREAT HRC18~22

SIGNATURES  
 DRAWN YSJ  
 MO-DA-YR  
 06-21-22  
 CHECKED  
 APPROVED  
 WORK ORDER NO

TITLE  
**HINGE CLAMP**  
 REF DWG NO. ---  
 DWG NO. HGC-6395AE  
 SCALE / TOOL  PART  SHEET OF  
**A3**

8 7 6 5 4 3 2 1