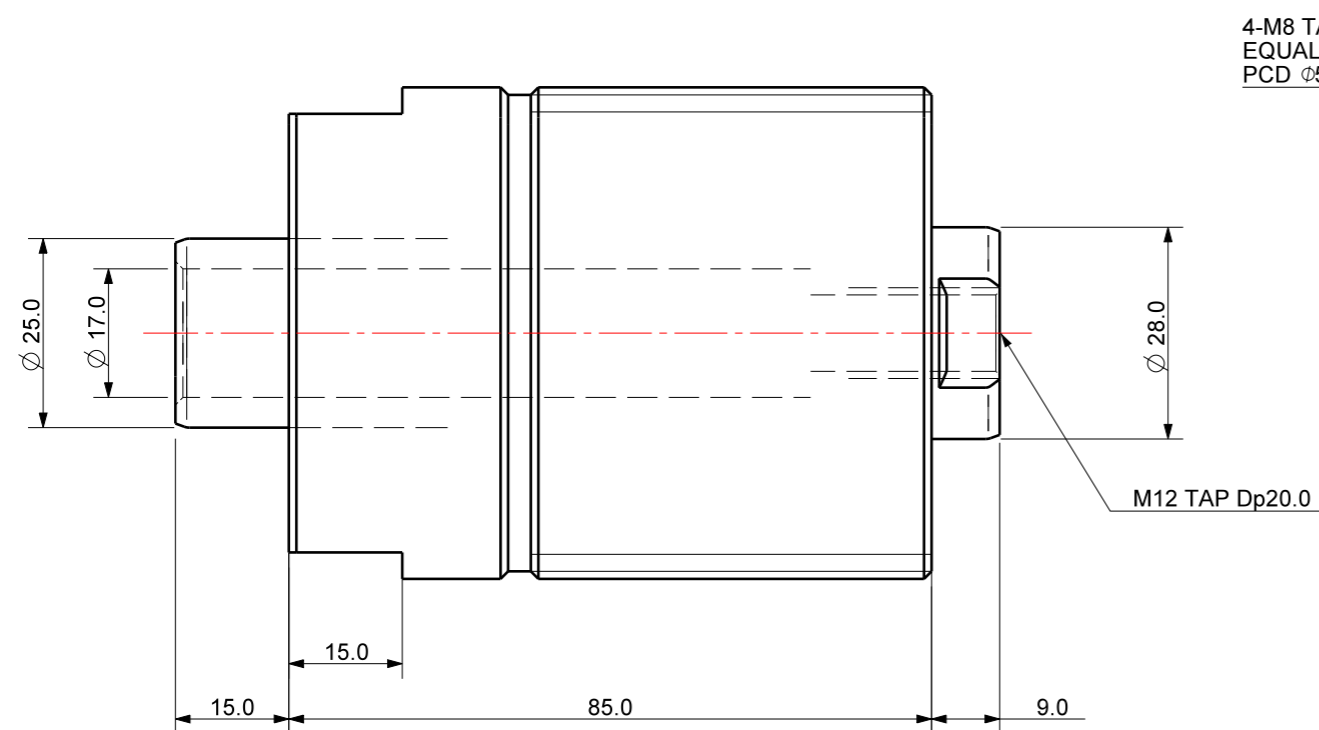


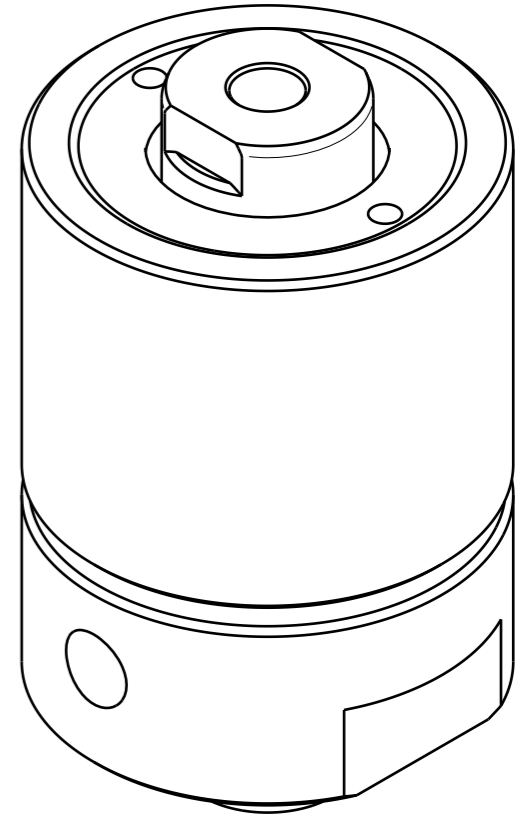
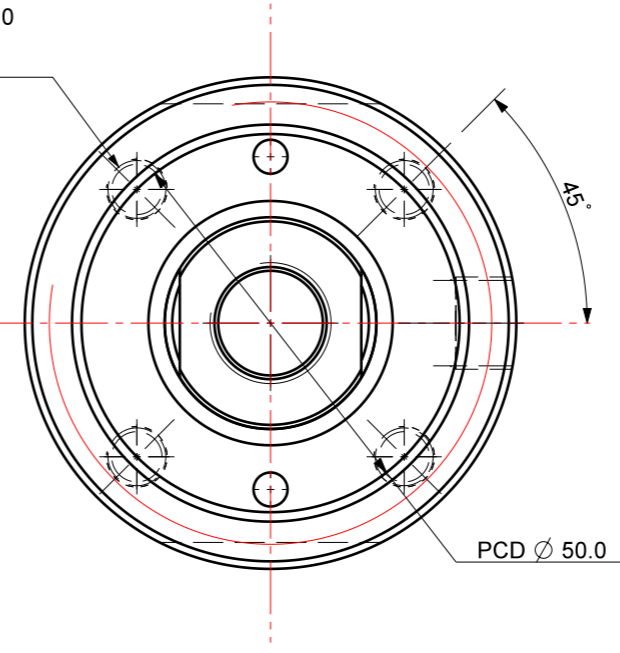
FILE NAME:

REVISIONS

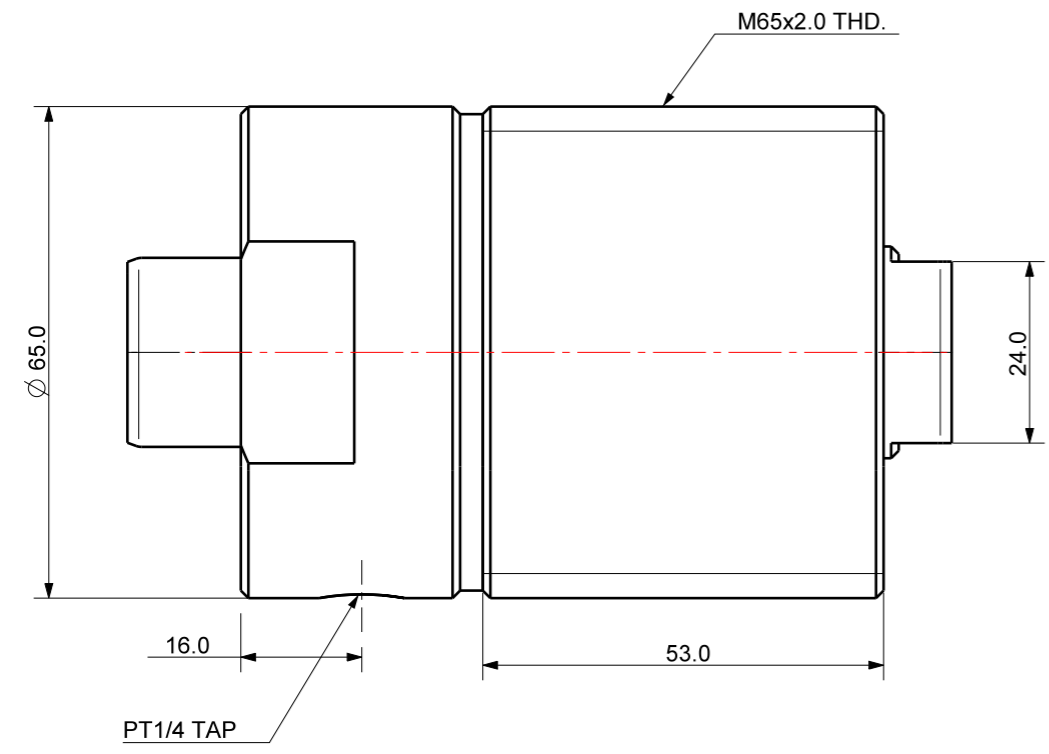
ZONE	LTR	DESCRIPTION	DATE	APPROVED



4-M8 TAP Dp16.0
EQUAL SPACE
PCD $\phi 50.0$




Isometric view (1:1)



PT1/4 TAP

DET. NO	NAME	QTY	MAT'L	FINAL SIZES & PART No	REMARK

UNLESS OTHERWISE SPECIFIED	SIGNATURES	MO-DA-YR	 케이제이에프(주) TOTAL CLAMPING SYSTEMS
DIMENSIONS ARE IN MM	DRAWN		
ALL SURFACES 6.3S	CHECKED		
TOLERANCES	APPROVED		
ANGLE			TITLE
X. ±			HOLLOW PUSH CLAMP
.X ± 0.15			REF DWG NO.
.XX ±			DWG NO
FINISH	WORK ORDER NO		HLP-4012_A
HEAT TREAT			A3
			SCALE / TOOL <input type="checkbox"/> PART <input type="checkbox"/> SHEET OF