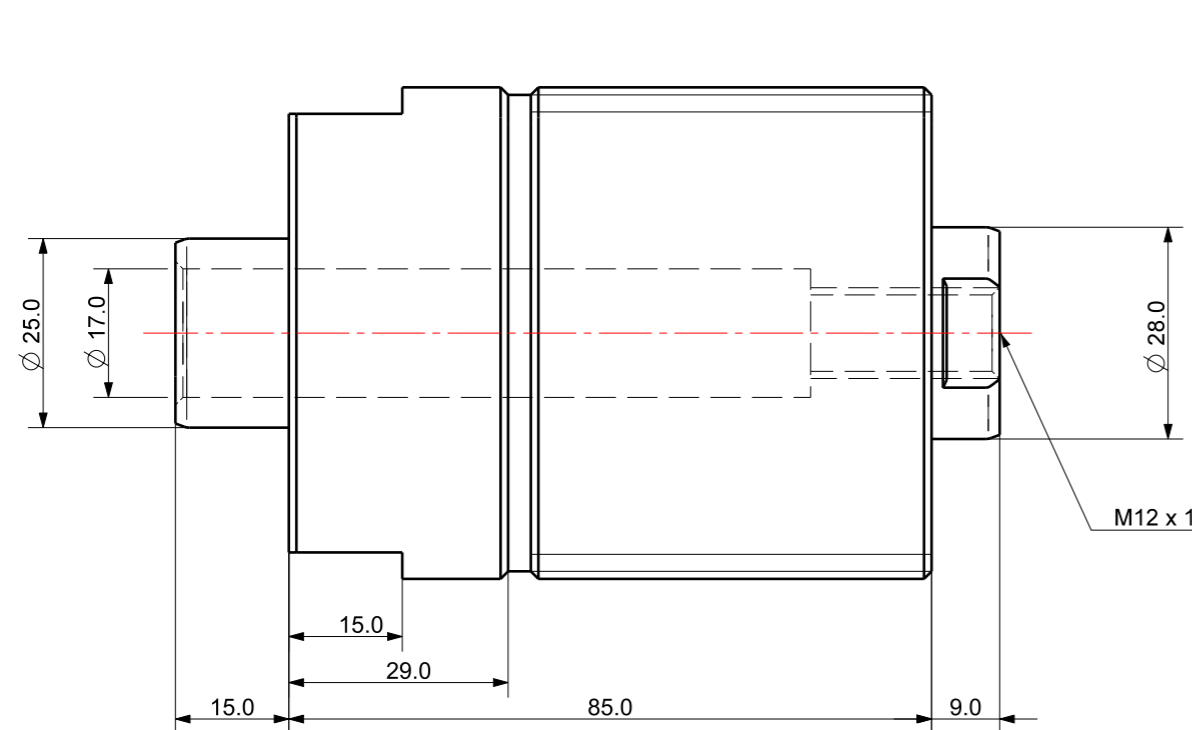


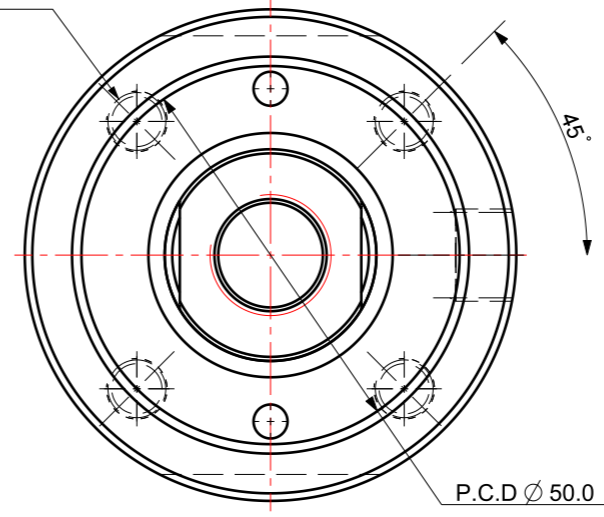
FILE NAME:

REVISIONS

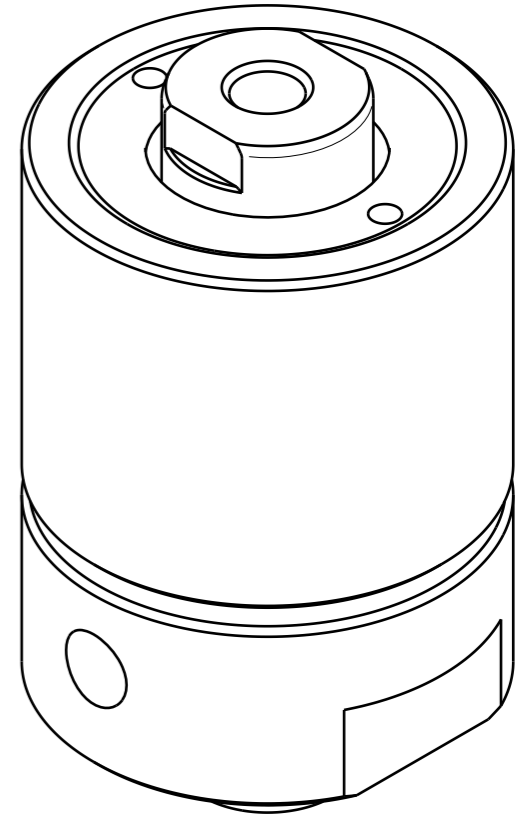
ZONE	LTR	DESCRIPTION	DATE	APPROVED



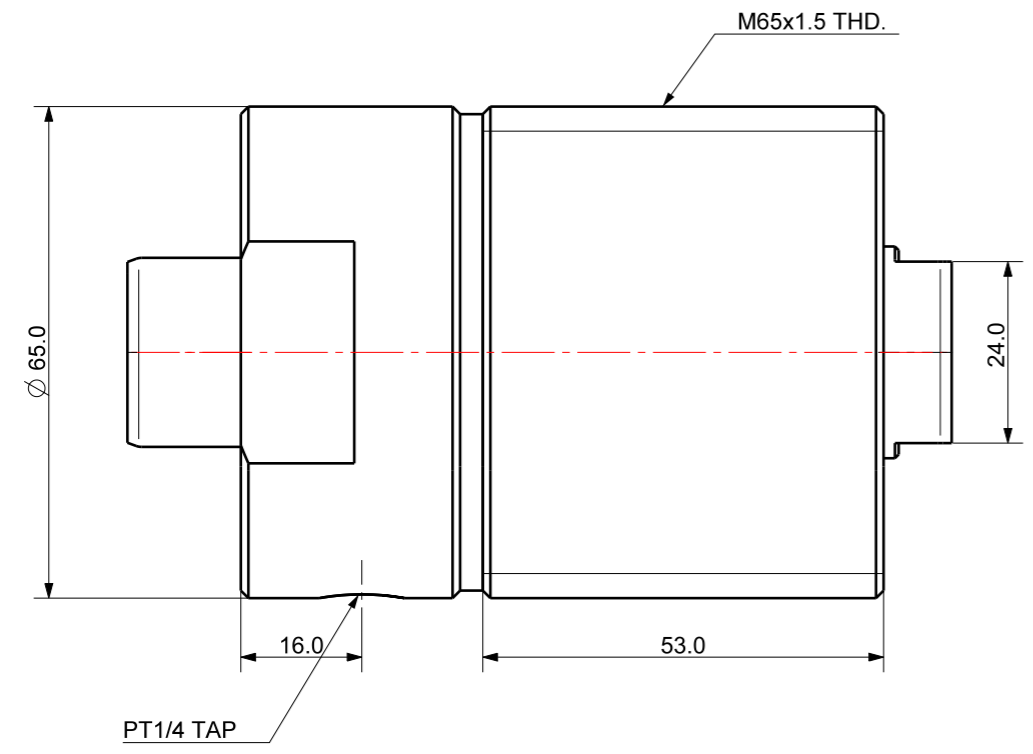
4-M8 TAP Dp16.0
EQUAL SPACE
PCD ϕ 50.0



M12 x 1.75P TAP Dp20.0



Isometric view (1:1)



DET. NO	NAME	QTY	MAT'L	FINAL SIZES & PART No	REMARK
UNLESS OTHERWISE SPECIFIED		SIGNATURES		MO-DA-YR	
DIMENSIONS ARE IN MM		DRAWN			
ALL SURFACES 6.3S		CHECKED			
TOLERANCES		APPROVED		TITLE	
ANGLE					
X. \pm					
.X ± 0.15					
.XX \pm					
FINISH		WORK ORDER NO		REF DWG NO.	
HEAT TREAT				DWG NO.	
				HLP-4012	
				A3	
		SCALE		TOOL <input type="checkbox"/> PART <input type="checkbox"/> SHEET <input type="checkbox"/> OF	



HOLLOW PUSH CLAMP

HLP-4012

A3