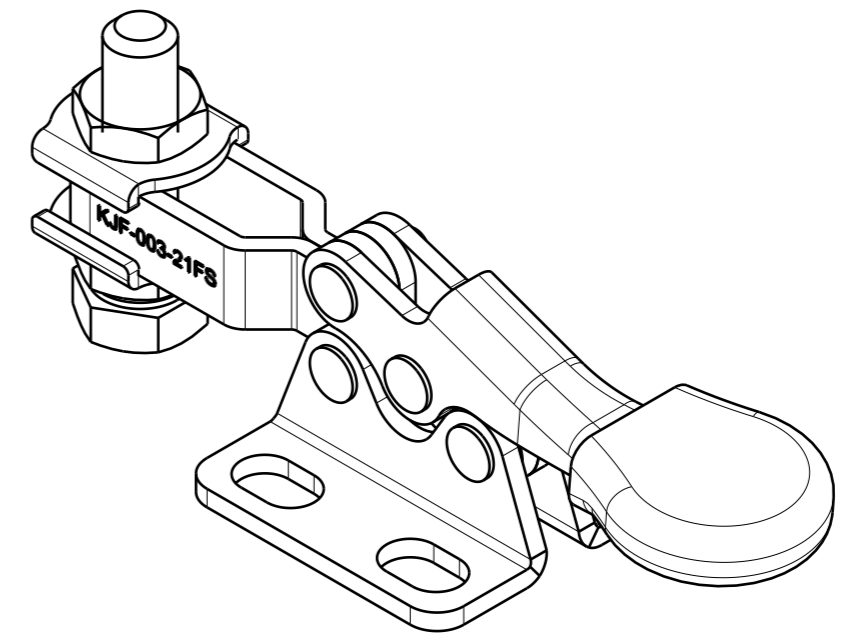
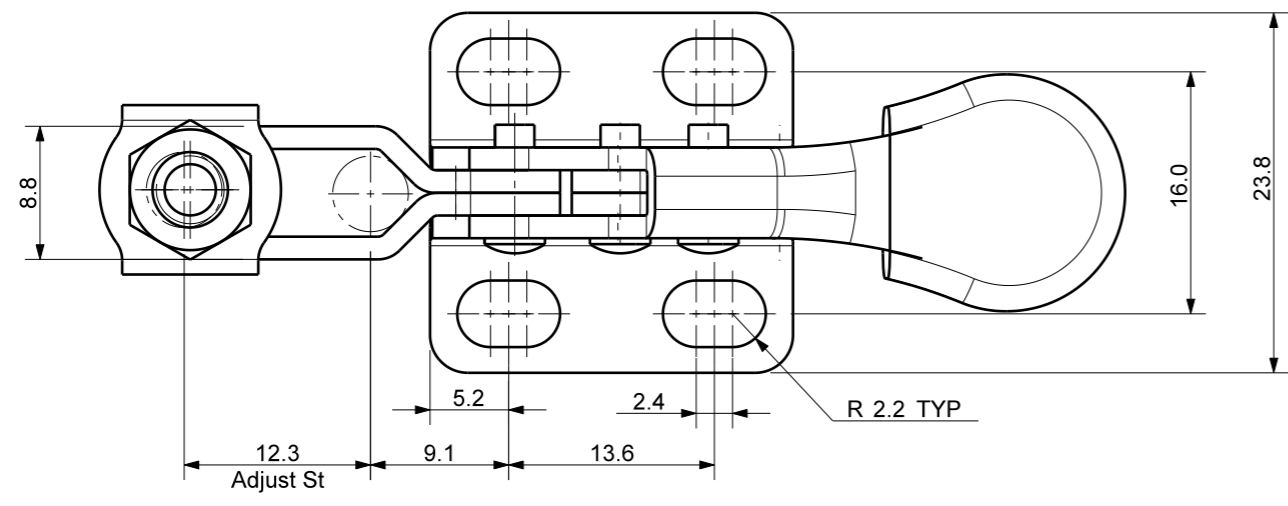
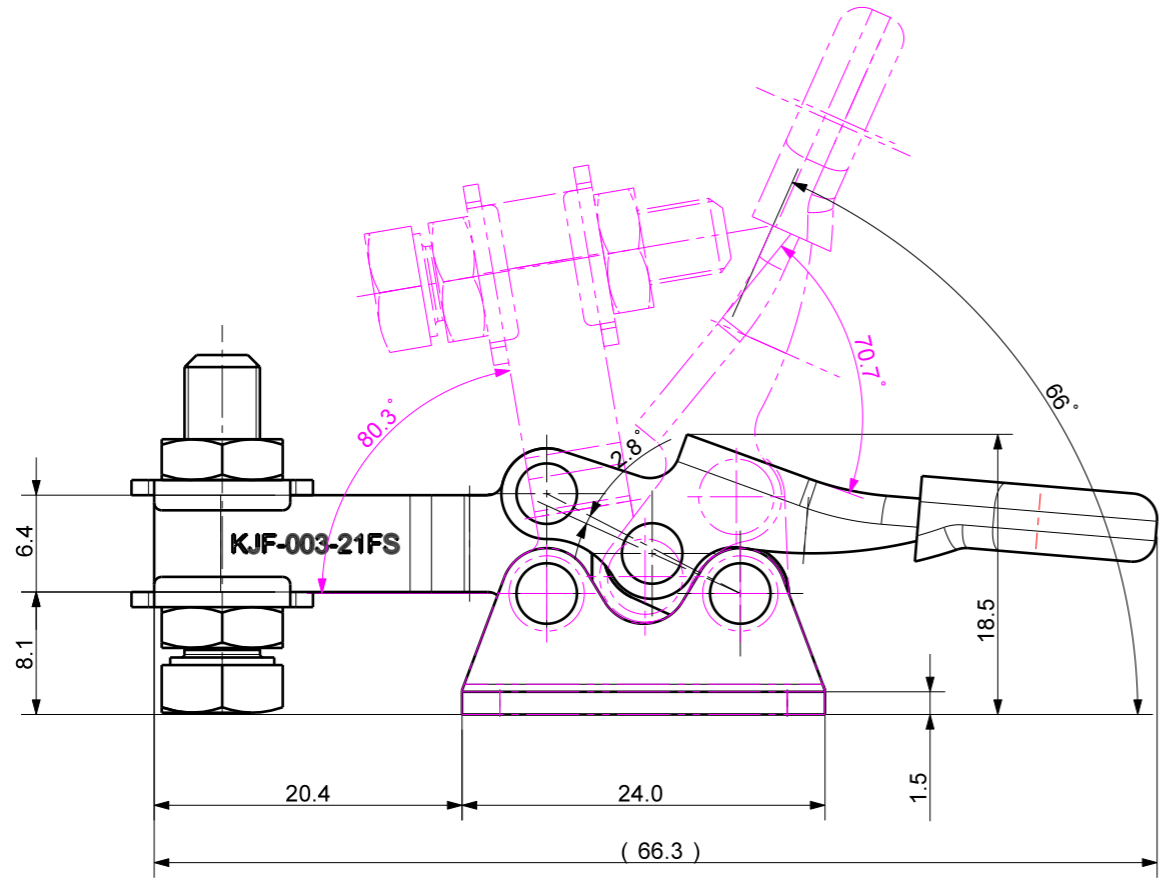


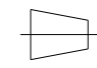


FILE NAME:

REVISIONS				
ZONE	LTR	DESCRIPTION	DATE	APPROVED
△				



Isometric view (2:1)



DET. NO	NAME	QTY	MAT'L	FINAL SIZES & PART No	REMARK
UNLESS OTHERWISE SPECIFIED		SIGNATURES		MO-DA-YR	
DIMENSIONS ARE IN MM		DRAWN			
ALL SURFACES 6.3S		CHECKED			
TOLERANCES		APPROVED		TITLE	
ANGLE		 		 케이제이에프(주) TOTAL CLAMPING SYSTEMS	
FINISH		WORK ORDER NO		HORIZONTAL TYPE TOGGLE CLAMP	
HEAT TREAT				REF DWG NO. ---	
				DWG NO. KJF- 003-21FS_-	
				A3	
		SCALE		TOOL <input type="checkbox"/> PART <input type="checkbox"/> SHEET <input type="checkbox"/> OF	