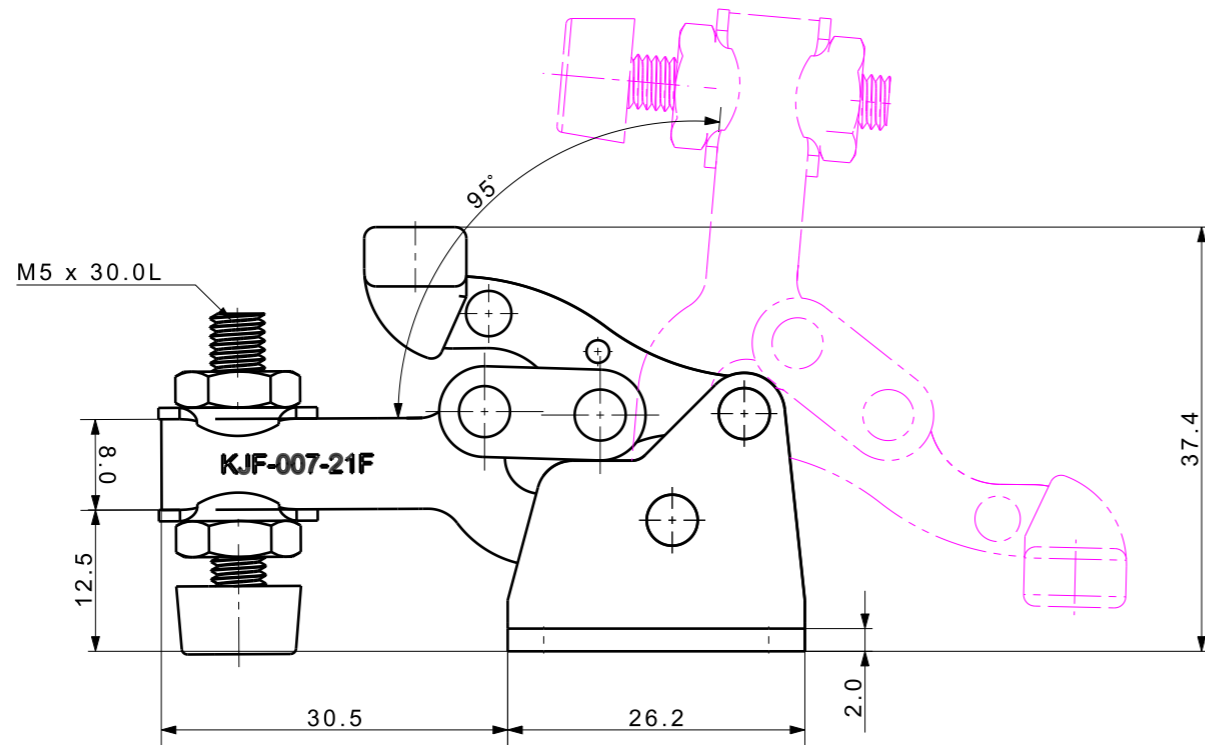

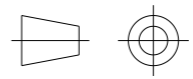


Isometric view (3:2)



- 주 기)
1. HANDLE MOVES : 180 °
 2. PLUNGER MOVES : 95 °
 3. Weight : 62g
 4. HOLDING CAPACITY : 70Kg

UNLESS OTHERWISE SPECIFIED	SIGNATURES	MO-DA-YR	 (주)케이제이에프 TOTAL CLAMPING SYSTEMS		
DIMENSIONS ARE IN MM	DRAWN				TITLE
ALL SURFACES	CHECKED		TOGGLE CLAMP		
TOLERANCES	APPROVED				
ANGLE			REF DWG NO.	DWG NO.	
X			---	KJF- 007-21F	A3
.X					
.XX					
FINISH	WORK ORDER NO		SCALE	TOOL <input type="checkbox"/> PART <input type="checkbox"/> SHEET <input type="checkbox"/> OF	
--			3/2		
HEAT TREAT					
--					