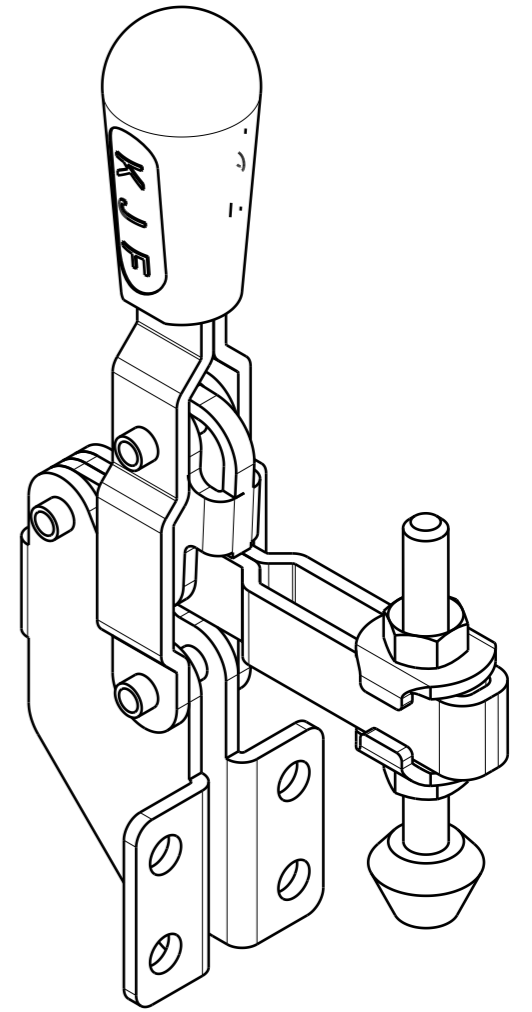
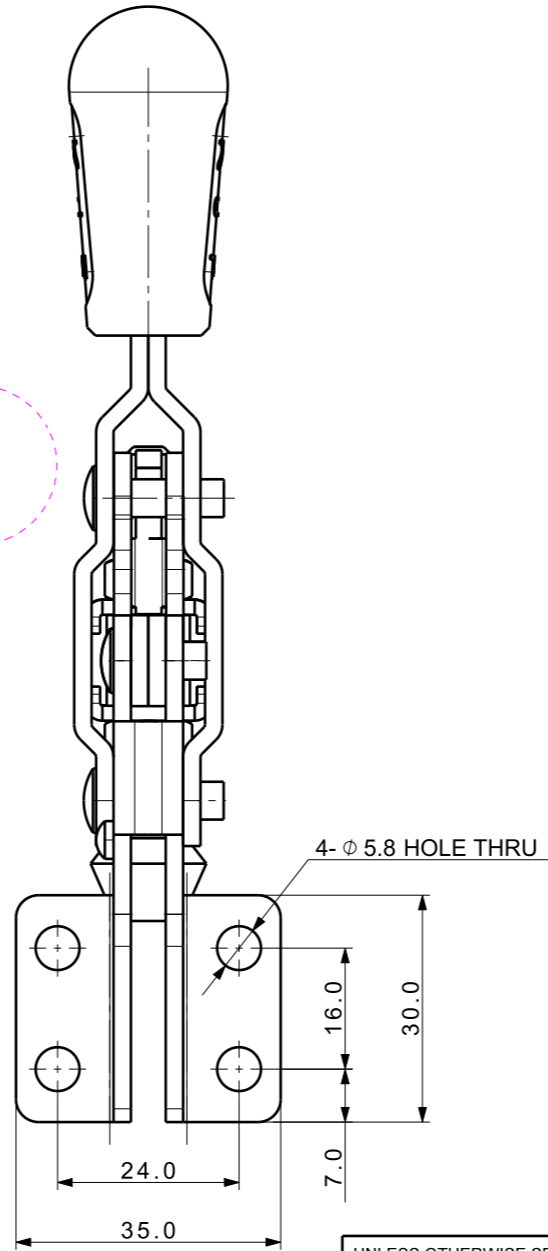
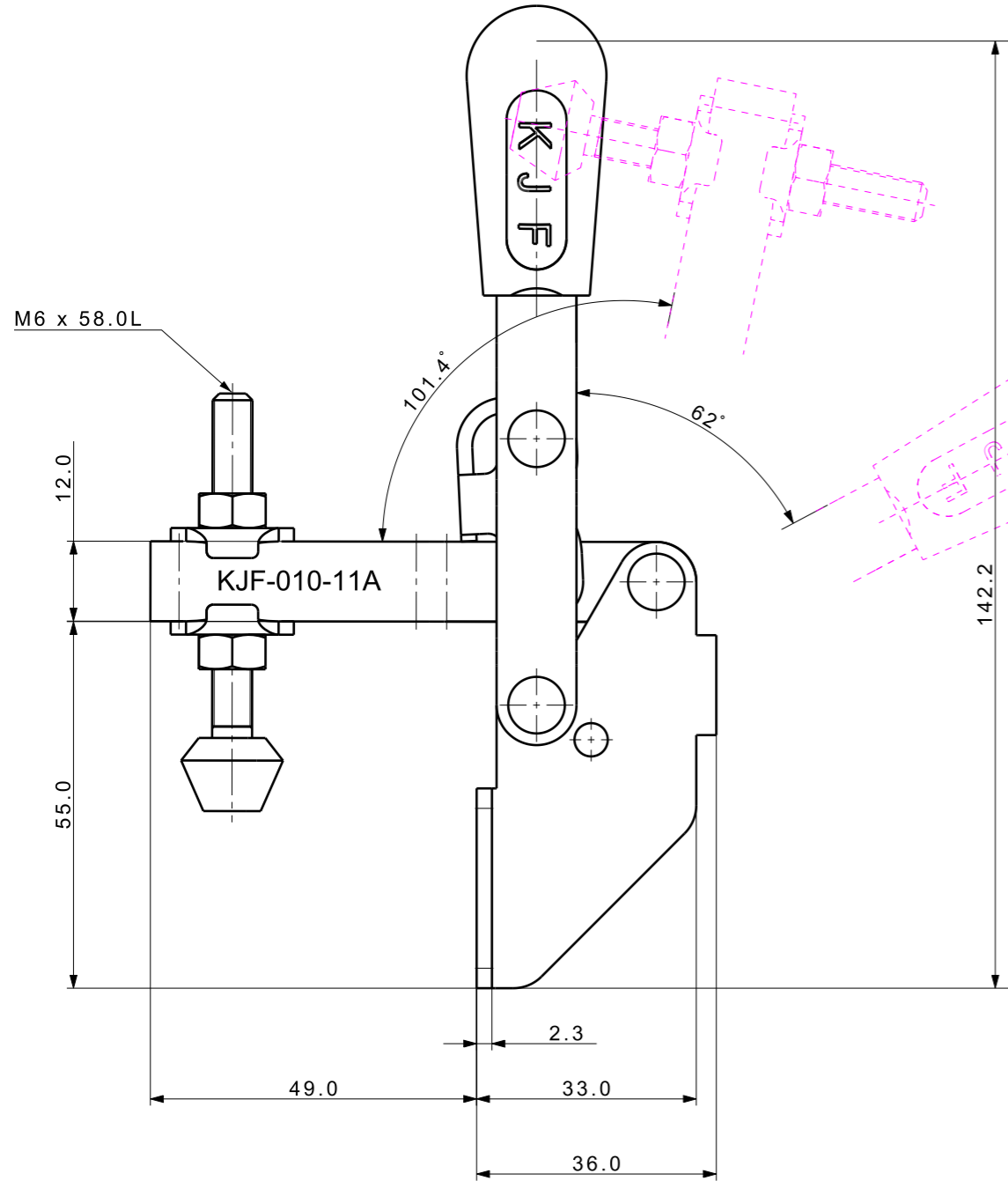
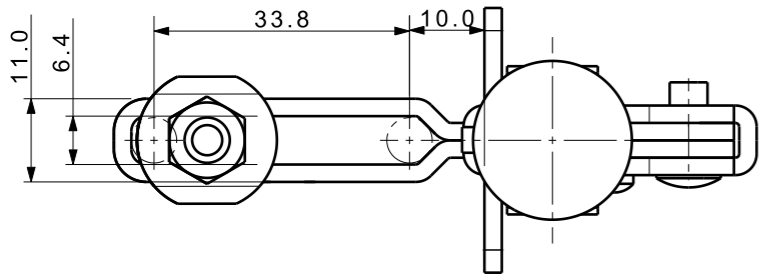



8 7 6 5 4 3 2 1

FILE NAME:



Isometric view (1:1)

UNLESS OTHERWISE SPECIFIED DIMENSIONS ARE IN MM ALL SURFACES TOLERANCES ANGLE X ± .X ± .XX ±	SIGNATURES		MO-DA-YR		 (주)케이제이에프 TOTAL CLAMPING SYSTEMS TITLE TOGGLE CLAMP Vertical Type
	DRAWN				
FINISH HEAT TREAT ---	WORK ORDER NO		REF DWG NO.	DWG NO.	--- KJF- 010-11A SCALE / TOOL <input type="checkbox"/> PART <input type="checkbox"/> SHEET OF

8 7 6 5 4 3 2 1

F
E
D
C
B
A

F
E
D
C
B
A

A3