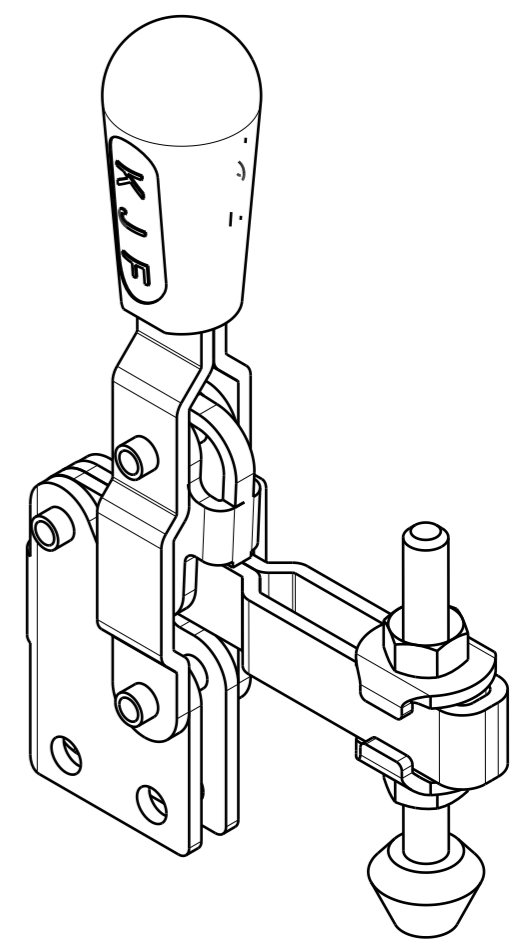
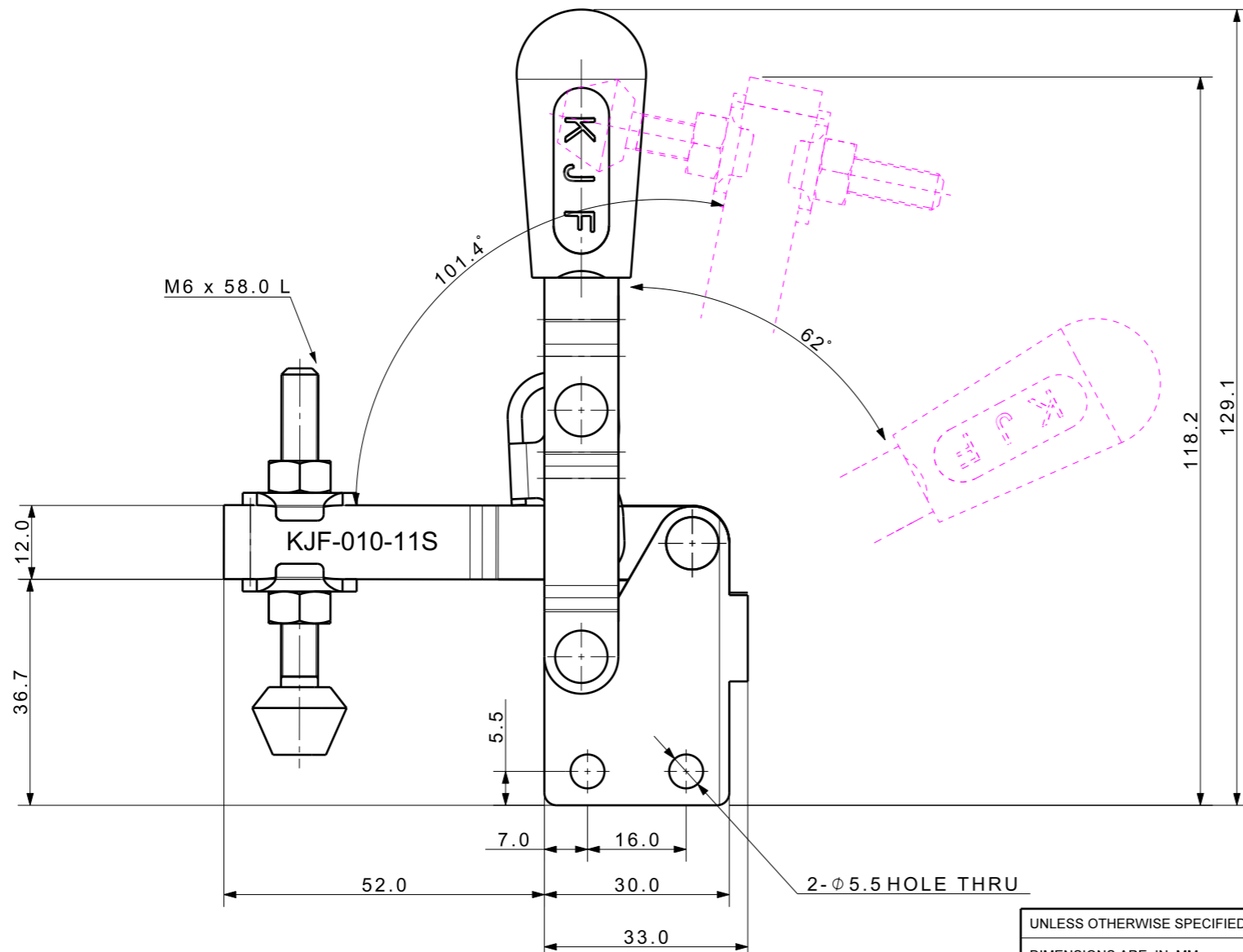
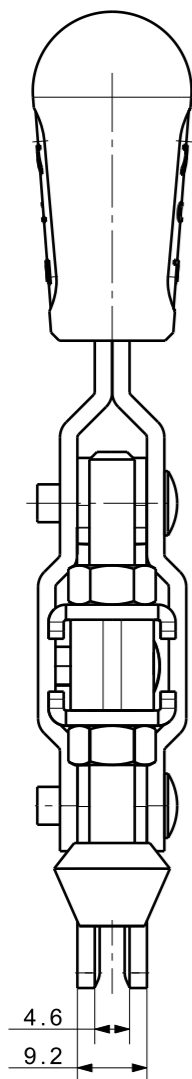
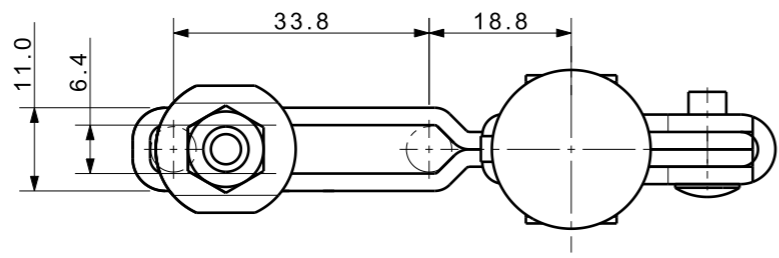



FILE NAME:



Isometric view (1:1)

UNLESS OTHERWISE SPECIFIED DIMENSIONS ARE IN MM ALL SURFACES TOLERANCES ANGLE ± .X ± .X ± .XX ±	SIGNATURES	MO-DA-YR	 (주)케이제이에프 TOTAL CLAMPING SYSTEMS	
	DRAWN			
	FINISH	CHECKED		TOGGLE CLAMP Vertical Type
HEAT TREAT	APPROVED		REF DWG NO.	DWG NO.
			---	KJF- 010-11S
	WORK ORDER NO		SCALE	TOOL <input type="checkbox"/> PART <input type="checkbox"/> SHEET <input type="checkbox"/> OF
				A3