
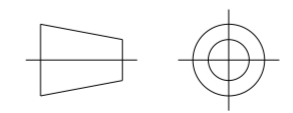


Isometric view (1:1)

UNLESS OTHERWISE SPECIFIED DIMENSIONS ARE IN MM ALL SURFACES TOLERANCES ANGLE .X ± .X ± .XX ±	SIGNATURES		MO-DA-YR		 (주)케이제이에프 TOTAL CLAMPING SYSTEMS TITLE TOGGLE CLAMP Vertical Type		
	DRAWN ---						
	CHECKED						
FINISH	APPROVED				REF DWG NO.	DWG NO.	OF
					-	KJF- 010-12A	A2
HEAT TREAT	WORK ORDER NO				SCALE	TOOL <input type="checkbox"/> PART <input type="checkbox"/> SHEET <input type="checkbox"/>	