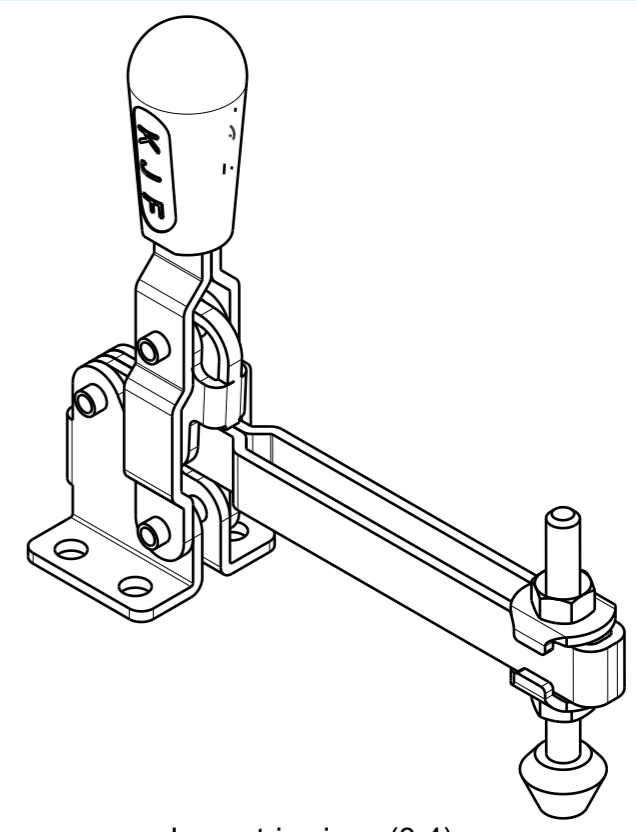
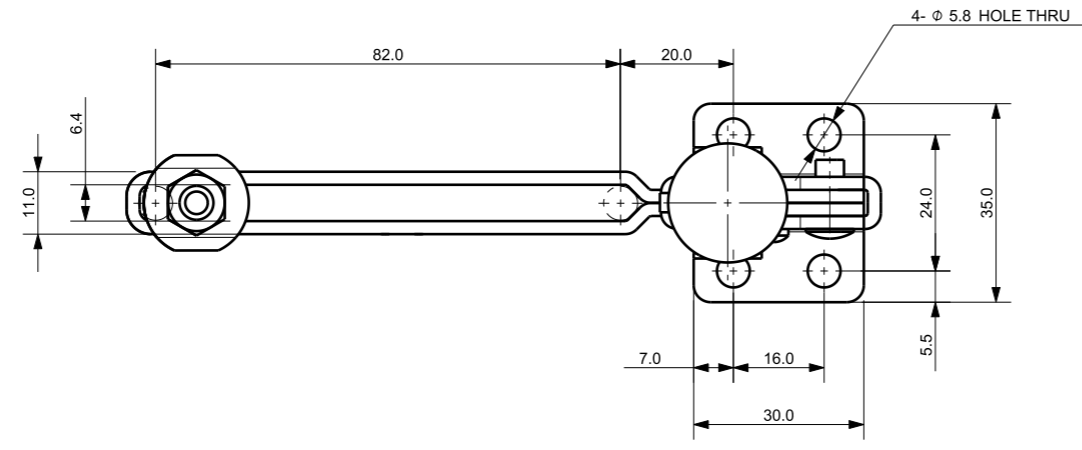
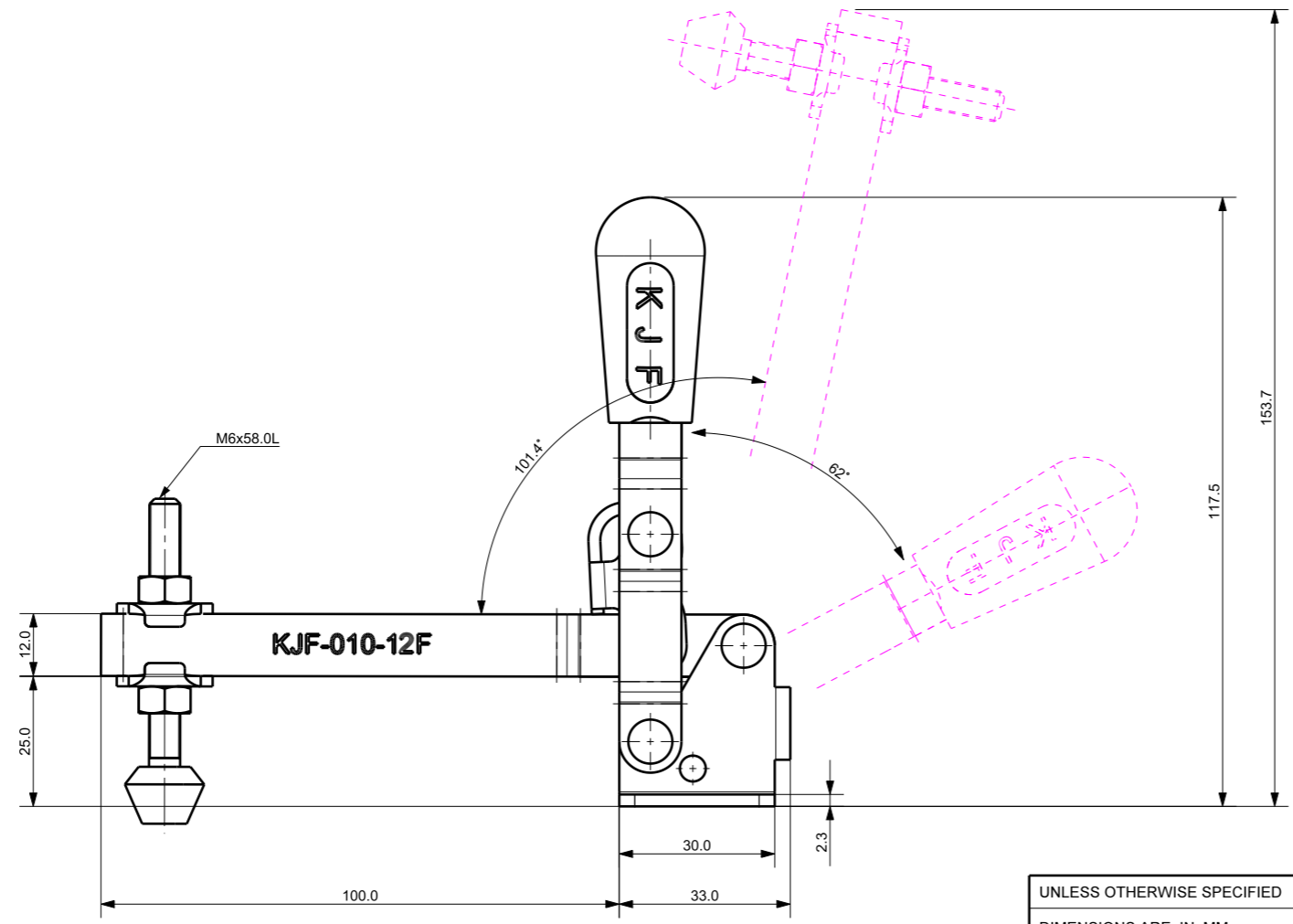



FILE NAME:



Isometric view (3:4)



|                            |               |          |   |  |
|----------------------------|---------------|----------|---|--|
| UNLESS OTHERWISE SPECIFIED | SIGNATURES    | MO-DA-YR |  (주)케이제이에프<br>TOTAL CLAMPING SYSTEMS |  |
| DIMENSIONS ARE IN MM       | DRAWN         |          |   |  |
| ALL SURFACES               | CHECKED       |          | <b>TOGGLE CLAMP</b>   |  |
| TOLERANCES                 | APPROVED      |          |   |  |
| ANGLE                      |               |          | REF DWG NO.   | DWG NO.  |
| .X                         |               |          | ---   | KJF- 010-12F   |
| .X                         |               |          |   | A3   |
| .XX                        |               |          | SCALE   | TOOL <input type="checkbox"/> PART <input type="checkbox"/> SHEET OF |
| FINISH                     | WORK ORDER NO |          |   |  |
| HEAT TREAT                 |               |          |   |  |