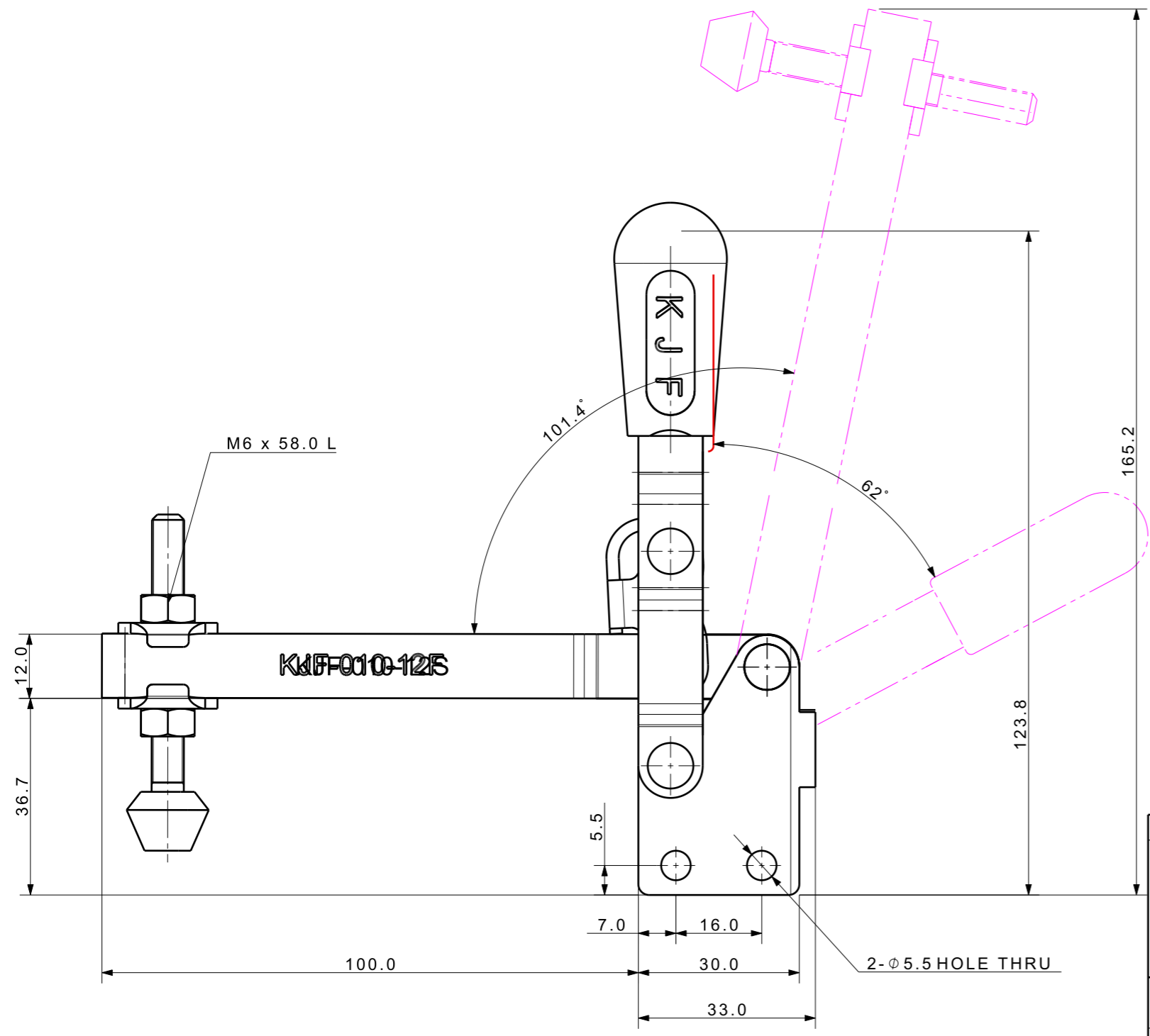



Isometric view (1:1)



UNLESS OTHERWISE SPECIFIED	SIGNATURES	MO-DA-YR	 (주)케이제이에프 TOTAL CLAMPING SYSTEMS	
DIMENSIONS ARE IN MM	DRAWN			
ALL SURFACES	CHECKED		TITLE	
TOLERANCES	APPROVED		TOGGLE CLAMP (VERTICAL TYPE)	
ANGLE			REF DWG NO.	DWG NO.
X			---	KJF- 010-12S
.X				A3
.XX				
FINISH	WORK ORDER NO		SCALE	TOOL <input type="checkbox"/> PART <input type="checkbox"/> SHEET <input type="checkbox"/> OF
HEAT TREAT				