
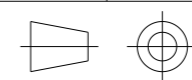



Isometric view (3:4)

UNLESS OTHERWISE SPECIFIED		SIGNATURES		MO-DA-YR		 (주)케이제이에프 TOTAL CLAMPING SYSTEMS	
DIMENSIONS ARE IN MM		DRAWN					
ALL SURFACES		CHECKED				TOGGLE CLAMP Vertical Type	
TOLERANCES		APPROVED					
ANGLE						DWG NO.	
.X						---	
.X						KJF- 010-13A	
.XX						A3	
FINISH		WORK ORDER NO		REF DWG NO.		DWG NO.	
HEAT TREAT		---		---		KJF- 010-13A	
				SCALE		TOOL <input type="checkbox"/> PART <input type="checkbox"/> SHEET <input type="checkbox"/> OF	