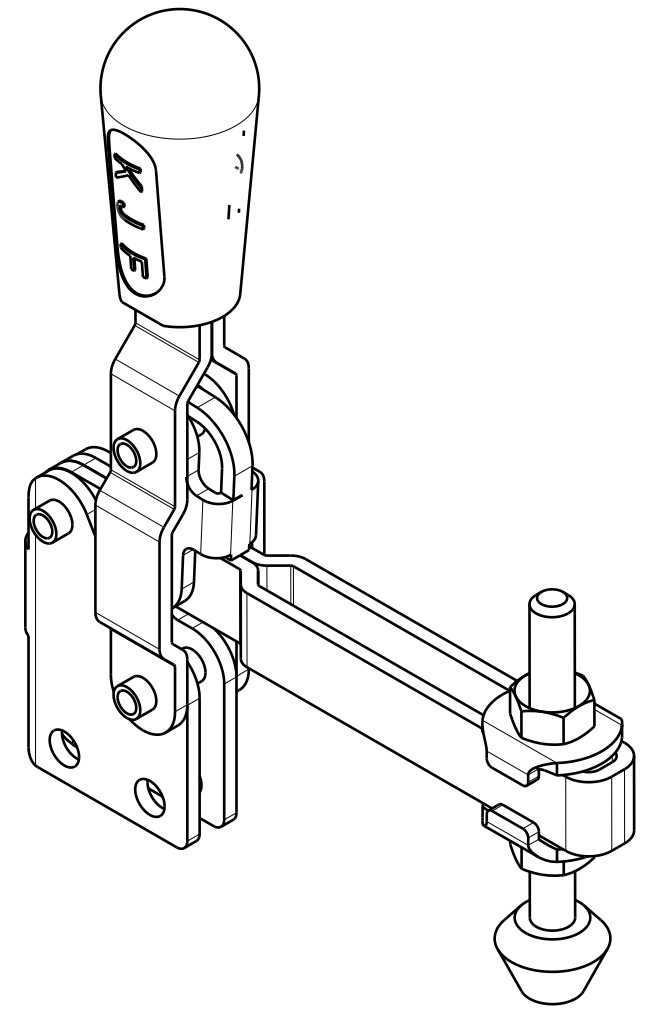
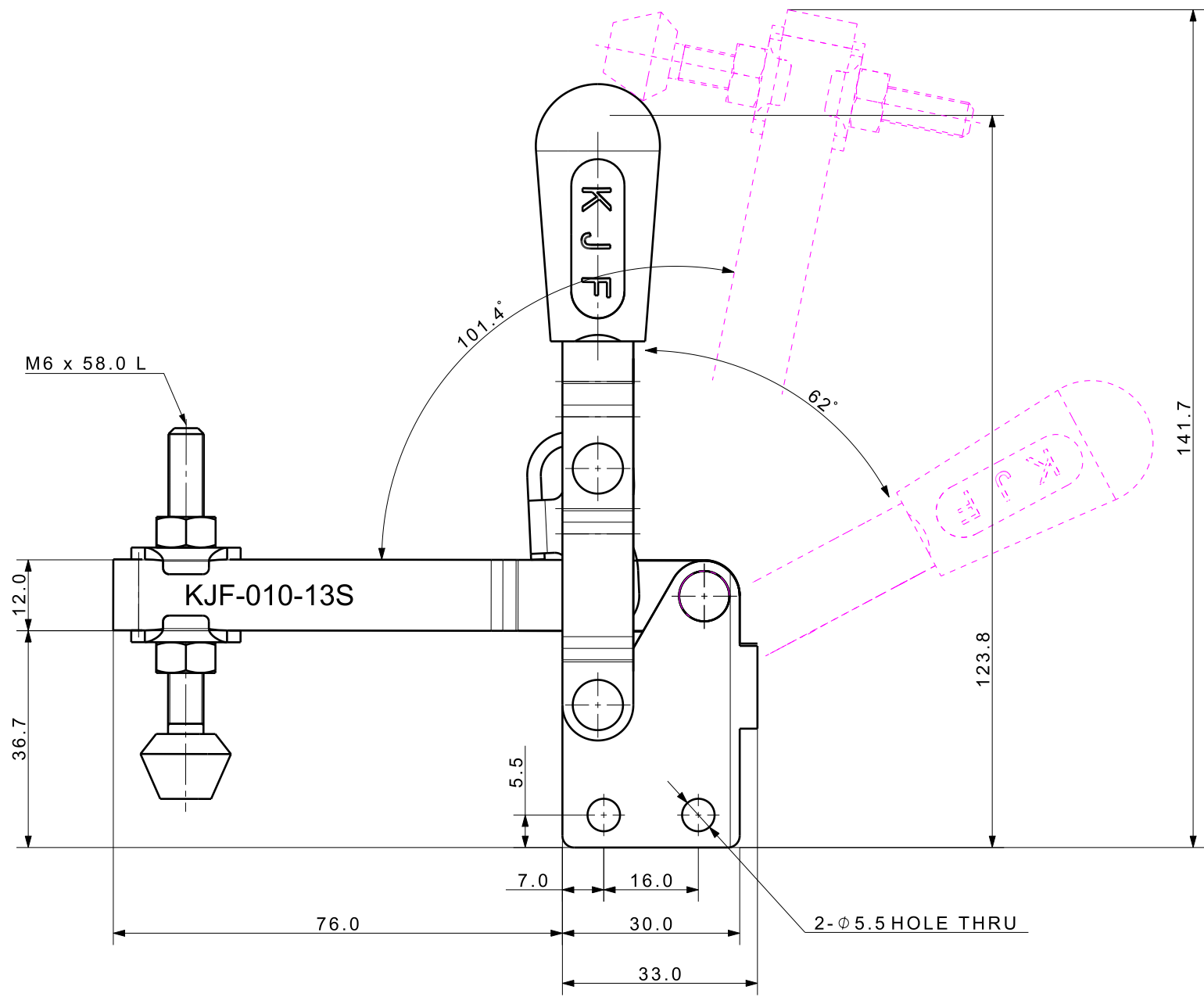
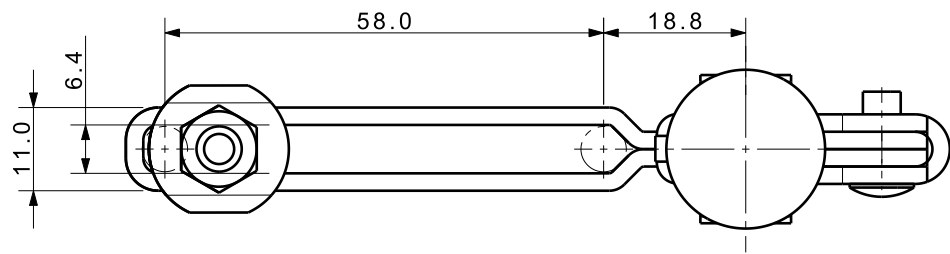





8 7 6 5 4 3 2 1

FILE NAME:



Isometric view (1:1)

UNLESS OTHERWISE SPECIFIED		SIGNATURES		MO-DA-YR		 (주)케이제이에프 TOTAL CLAMPING SYSTEMS			
DIMENSIONS ARE IN MM		DRAWN						TITLE	
ALL SURFACES 6.3S		CHECKED				TOGGLE CLAMP (VERTICAL TYPE)			
TOLERANCES		APPROVED							
ANGLE		 				REF DWG NO.			
X ±						---		DWG NO	
.X ± 0.15								KJF- 010-13S	
.XX ±								A3	
FINISH		WORK ORDER NO				SCALE			
HEAT TREAT						TOOL <input type="checkbox"/> PART <input type="checkbox"/> SHEET <input type="checkbox"/> OF			

8 7 6 5 4 3 2 1