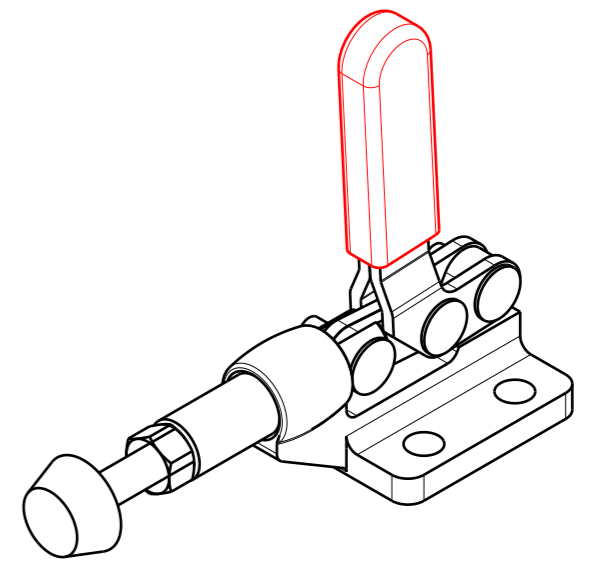
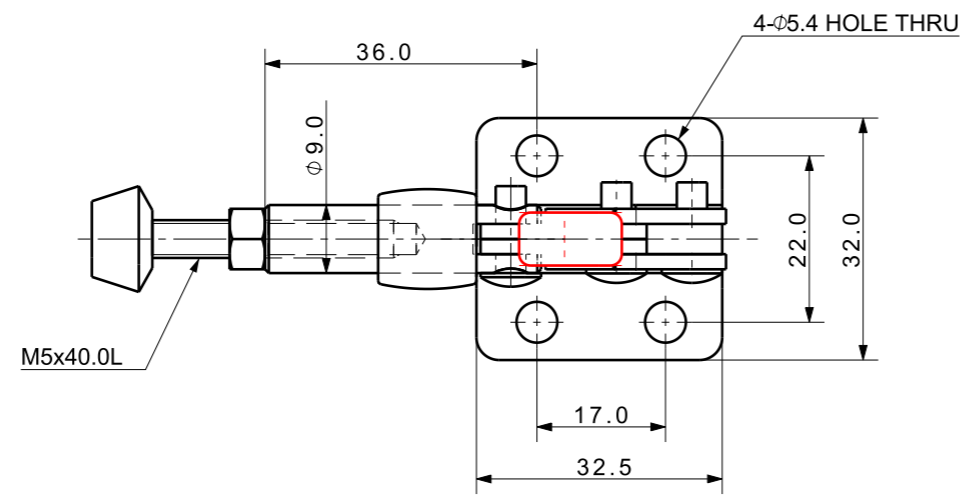


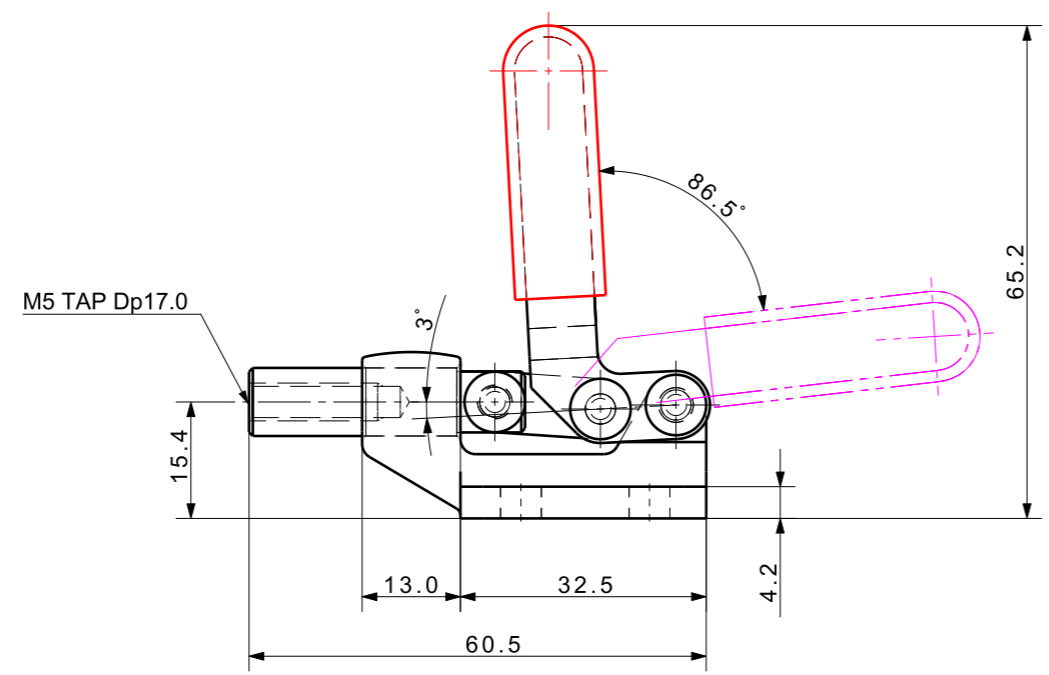
FILE NAME:

REVISIONS

ZONE	LTR	DESCRIPTION	DATE	APPROVED
------	-----	-------------	------	----------



Isometric view (1:1)




DET. NO	NAME	QTY	MAT'L	FINAL SIZES & PART No	REMARK

UNLESS OTHERWISE SPECIFIED	
DIMENSIONS ARE IN MM	
ALL SURFACES	6.3S
TOLERANCES	
ANGLE	±
.X	± 0.15
.XX	±
FINISH	--
HEAT TREAT	--

SIGNATURES		MO-DA-YR
DRAWN	JBR	08-19-24
CHECKED		
APPROVED		
WORK ORDER NO		REF DWG NO.
		DWG NO

		KJF- 010-31F_D
		SCALE
		TOOL <input type="checkbox"/> PART <input type="checkbox"/> SHEET <input type="checkbox"/> OF


케이제이에프(주)
 TOTAL CLAMPING SYSTEMS

PUSH/PULL TYPE TOGGLE CLAMP

A3