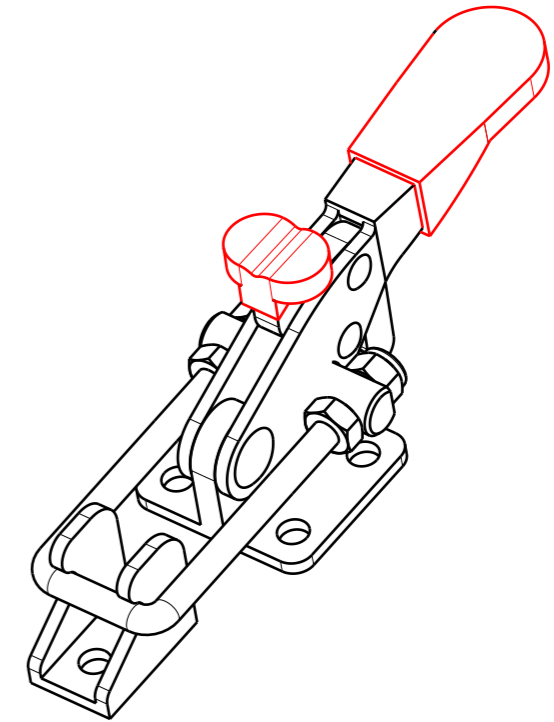
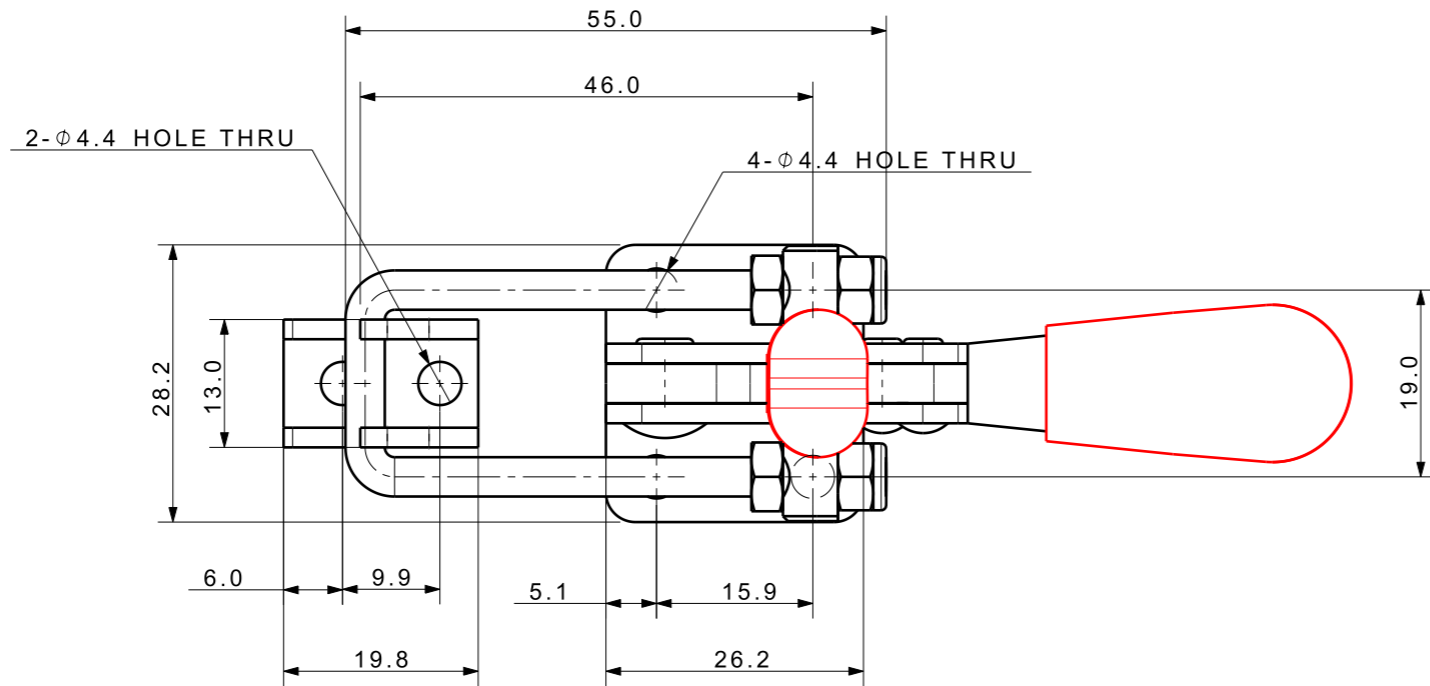
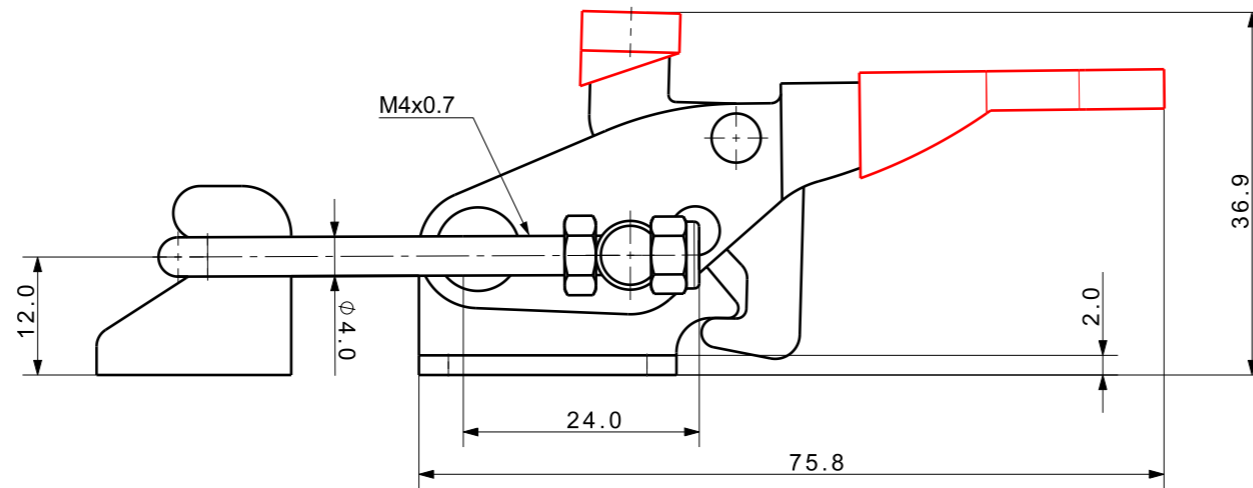
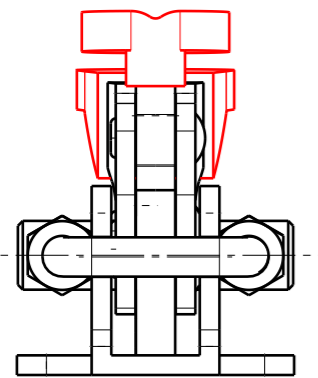



FILE NAME:



Isometric view (1:1)



UNLESS OTHERWISE SPECIFIED DIMENSIONS ARE IN MM ALL SURFACES TOLERANCES ANGLE ± X ± .X ± .XX ±	SIGNATURES	MO-DA-YR	 (주)케이제이에프 TOTAL CLAMPING SYSTEMS			
	DRAWN				TITLE	
	CHECKED		TOGGLE CLAMP (LOCK TYPE)			
	APPROVED					
FINISH	WORK ORDER NO	REF DWG NO.	DWG NO.	A3		
HEAT TREAT		---	KJF-016-41FL			
		SCALE	TOOL	PART	SHEET	OF