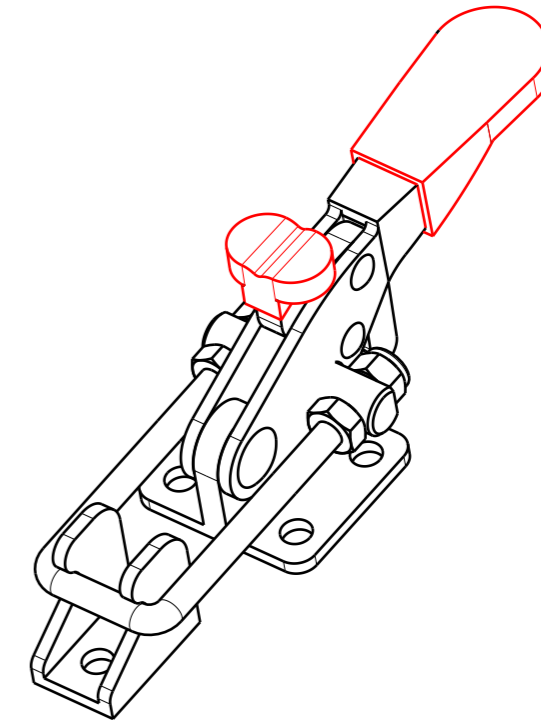
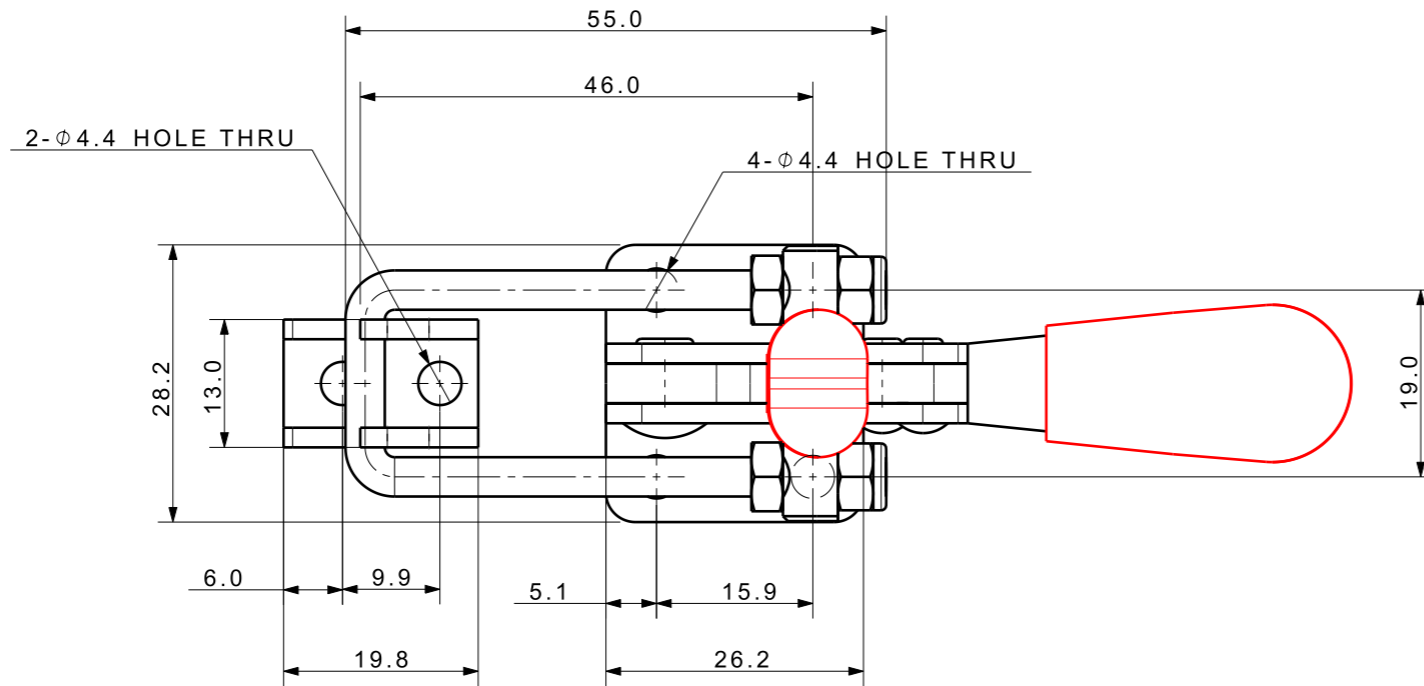
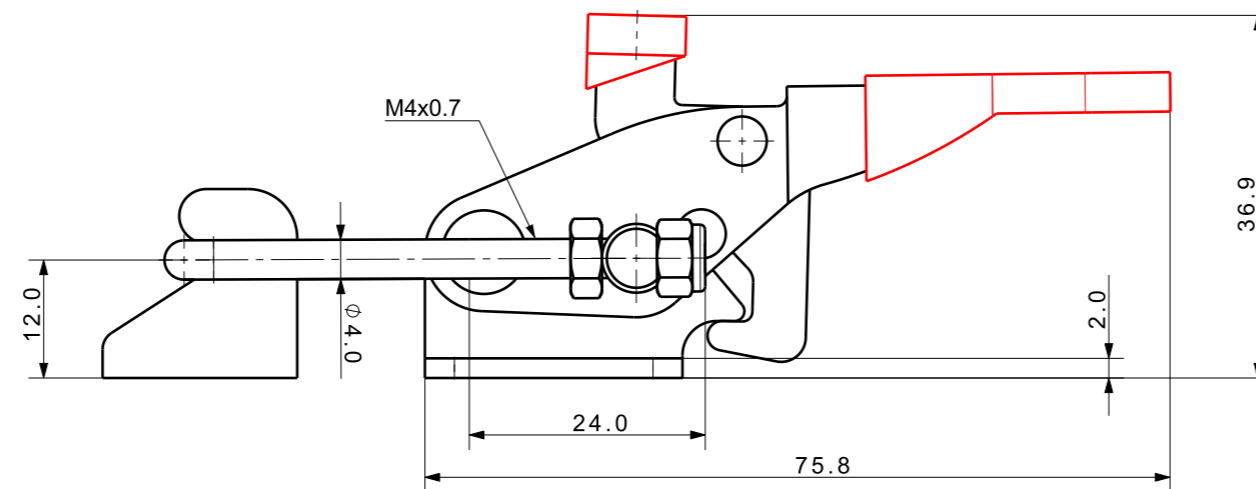
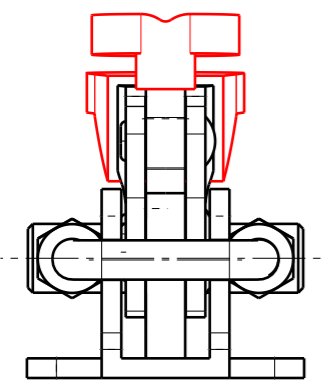



FILE NAME:



Isometric view (1:1)



UNLESS OTHERWISE SPECIFIED DIMENSIONS ARE IN MM ALL SURFACES TOLERANCES ANGLE                   ± X                         ± .X                        ± .XX                      ±	SIGNATURES	MO-DA-YR	 (주)케이제이에프 TOTAL CLAMPING SYSTEMS			
	DRAWN				TITLE	
	CHECKED		<b>TOGGLE CLAMP (LOCK TYPE)</b>			
	APPROVED					
FINISH	WORK ORDER NO	REF DWG NO.	DWG NO	<b>A3</b>		
HEAT TREAT		---	<b>KJF-016-41FSL</b>			
		SCALE	TOOL	PART	SHEET	OF