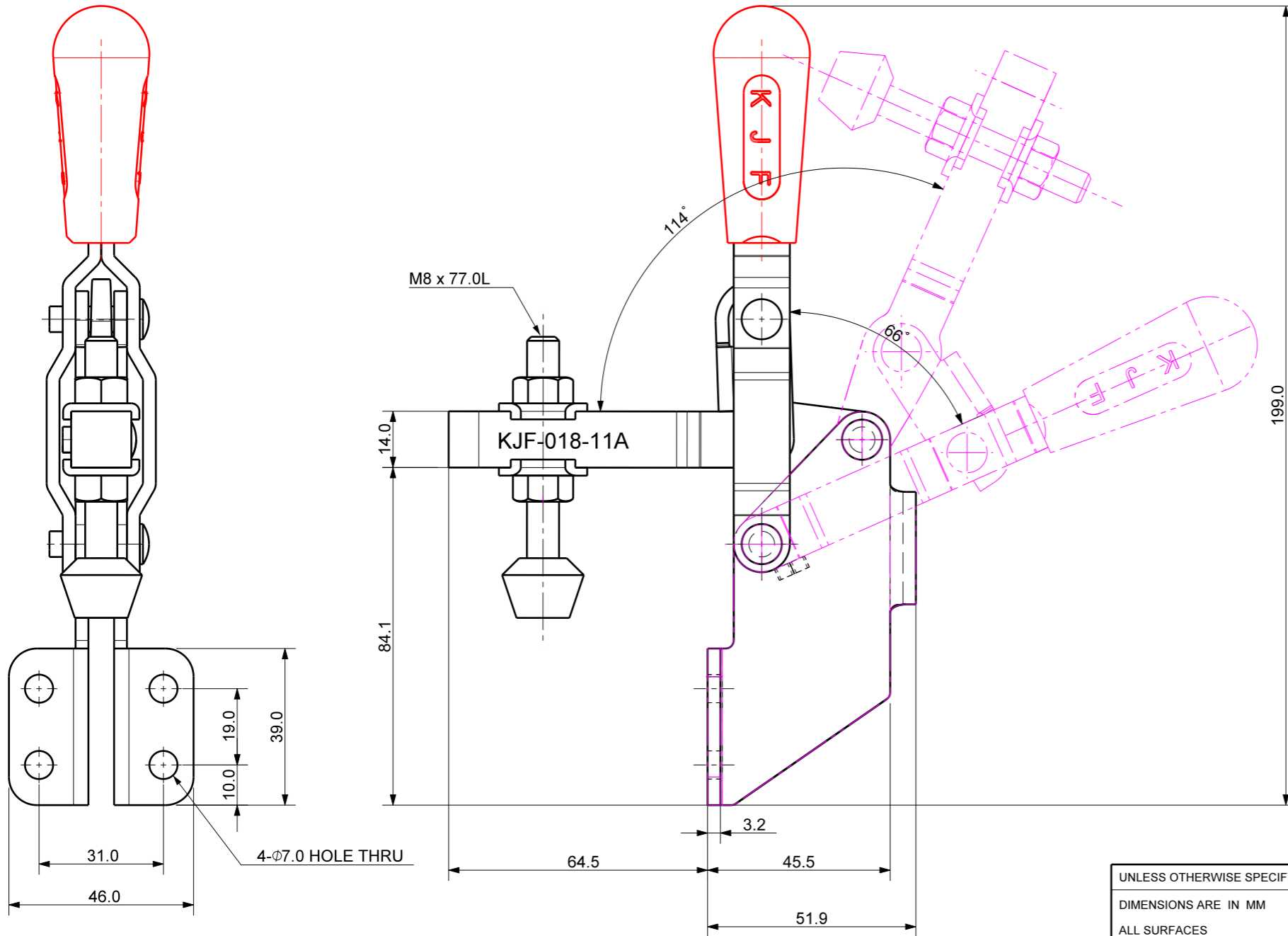



Isometric view (3:4)



- 주 기)
 1. HANDLE MOVES : 66 °
 2. PLUNGER MOVES : 114 °
 3. Weight : 460g
 4. HOLDING CAPACITY : 180Kg

UNLESS OTHERWISE SPECIFIED	SIGNATURES	MO-DA-YR	 케이제이에프(주) TOTAL CLAMPING SYSTEMS	
DIMENSIONS ARE IN MM	DRAWN			
ALL SURFACES	CHECKED		REF DWG NO.	DWG NO.
TOLERANCES	APPROVED		---	KJF- 018-11A
ANGLE			SCALE 3/4	TOOL <input type="checkbox"/> PART <input type="checkbox"/> SHEET <input type="checkbox"/> OF
X ±				
.X ±				
.XX ±				
FINISH	WORK ORDER NO			A3
HEAT TREAT				
