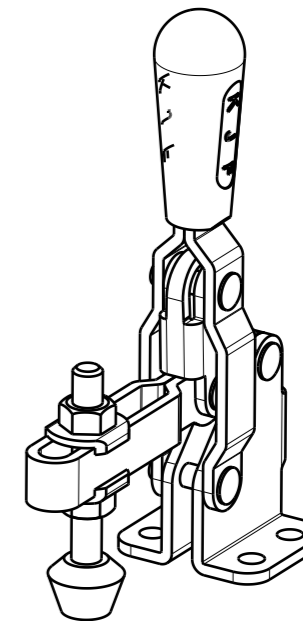
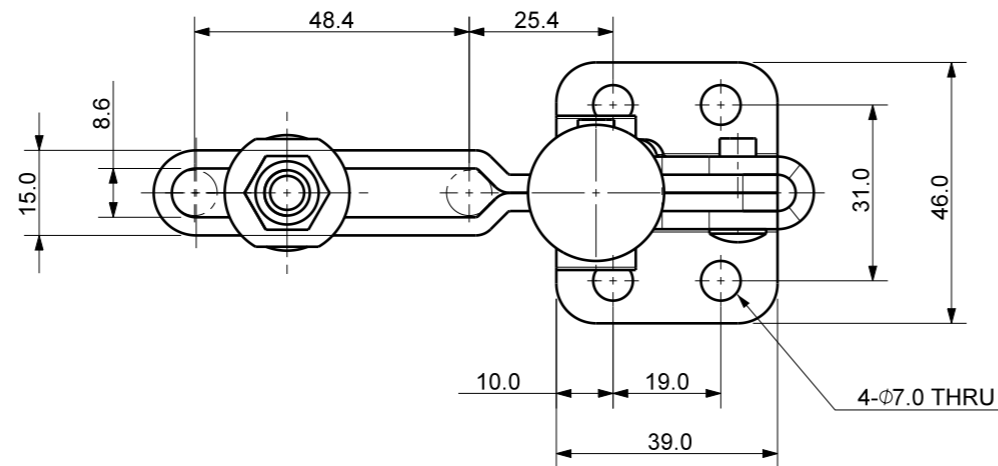


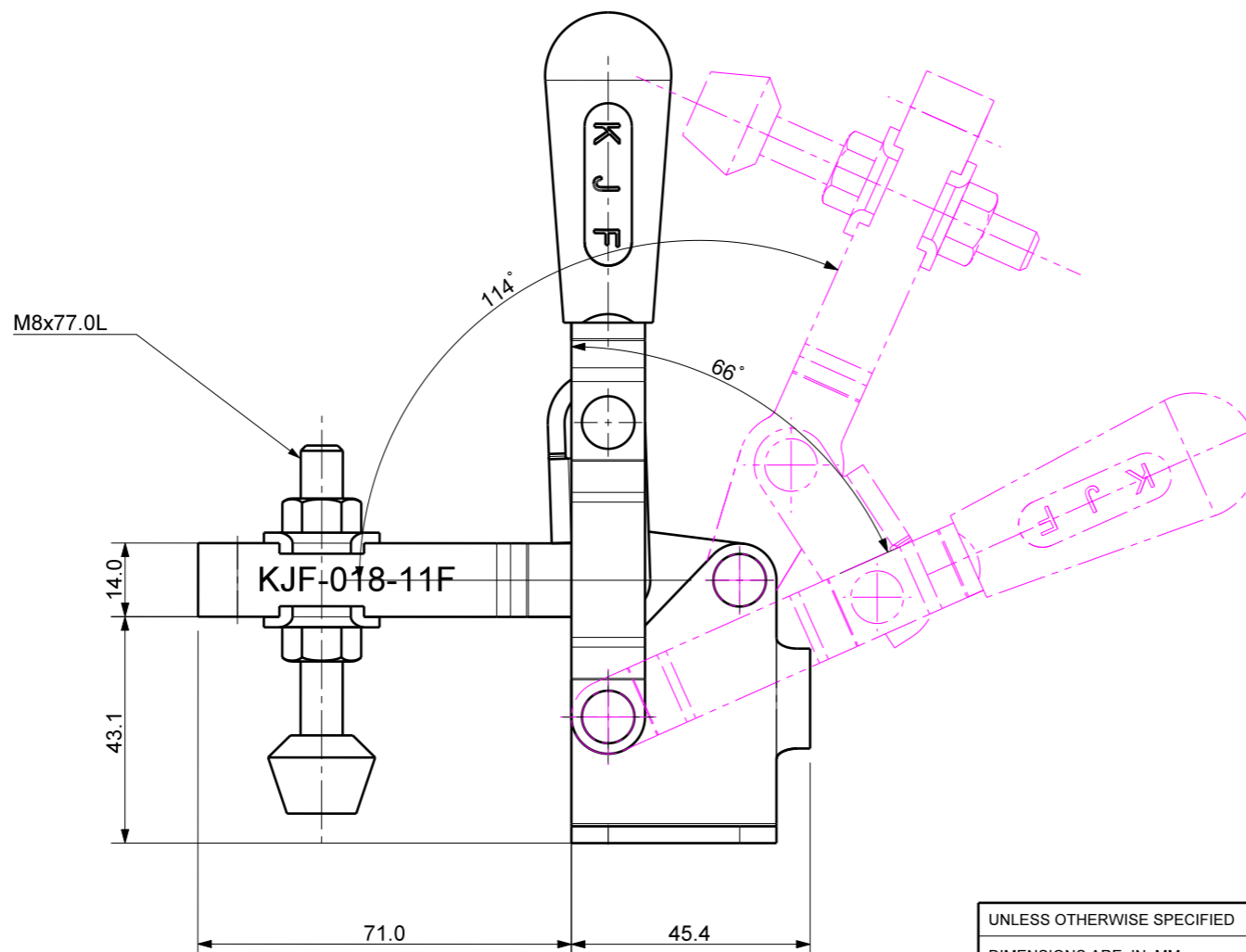
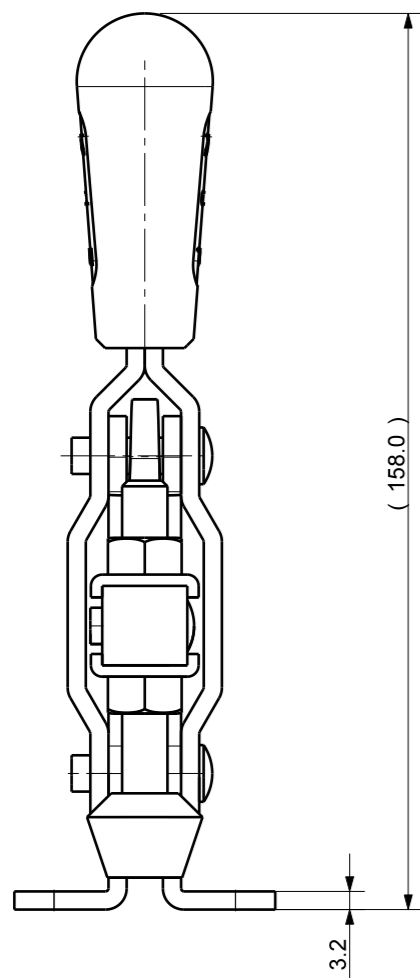
FILE NAME:

REVISIONS


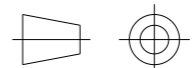
| ZONE | LTR | DESCRIPTION | DATE | APPROVED |
|------|-----|-------------|------|----------|
|------|-----|-------------|------|----------|



Isometric view (1:2)



- 주 기)
1. HANDLE MOVES : 66 °
 2. PLUNGER MOVES : 114 °
 3. Weight : 430g
 4. HOLDING CAPACITY : 180Kg

| DET.NO | NAME | QTY | MATL | FINAL SIZES & PART No | REMARK |
|----------------------------|------|---|------|-----------------------|--|
| UNLESS OTHERWISE SPECIFIED | | SIGNATURES | | MO-DA-YR |  케이제이에프(주) TOTAL CLAMPING SYSTEMS TOGGLE CLAMP (Vertical Type) |
| DIMENSIONS ARE IN MM | | DRAWN | OYS | 00-00-00 | |
| ALL SURFACES 6.3S | | CHECKED | | | |
| TOLERANCES | | APPROVED | | | |
| ANGLE | |  | | | |
| X ± | | | | | |
| .X ± 0.15 | | | | | |
| .XX ± | | | | | |
| FINISH MF Zn2 | | WORK ORDER NO | | REF DWG NO. | DWG NO |
| HEAT TREAT --- | | | | --- | KJF- 018-11F_A |
| | | | | SCALE | TOOL <input type="checkbox"/> PART <input type="checkbox"/> SHEET OF |

A3