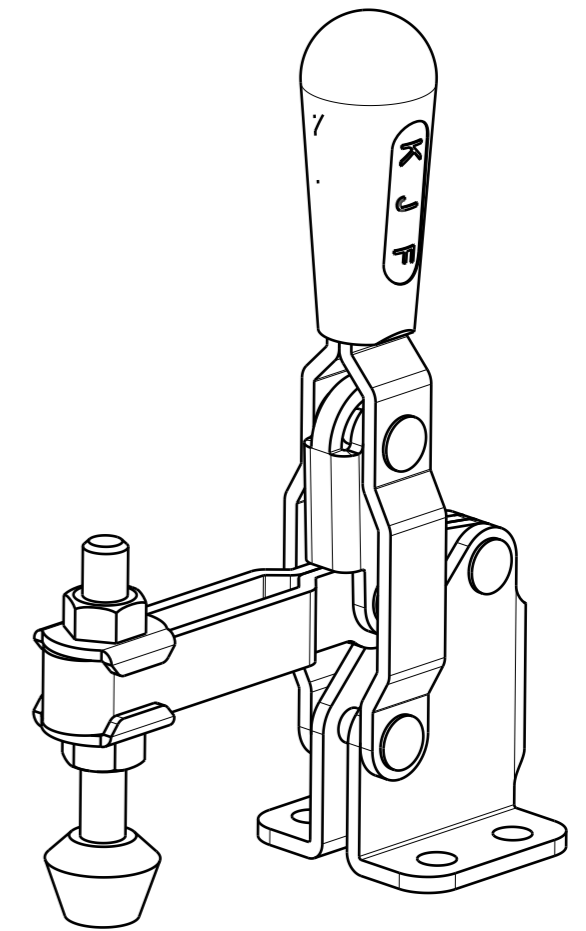
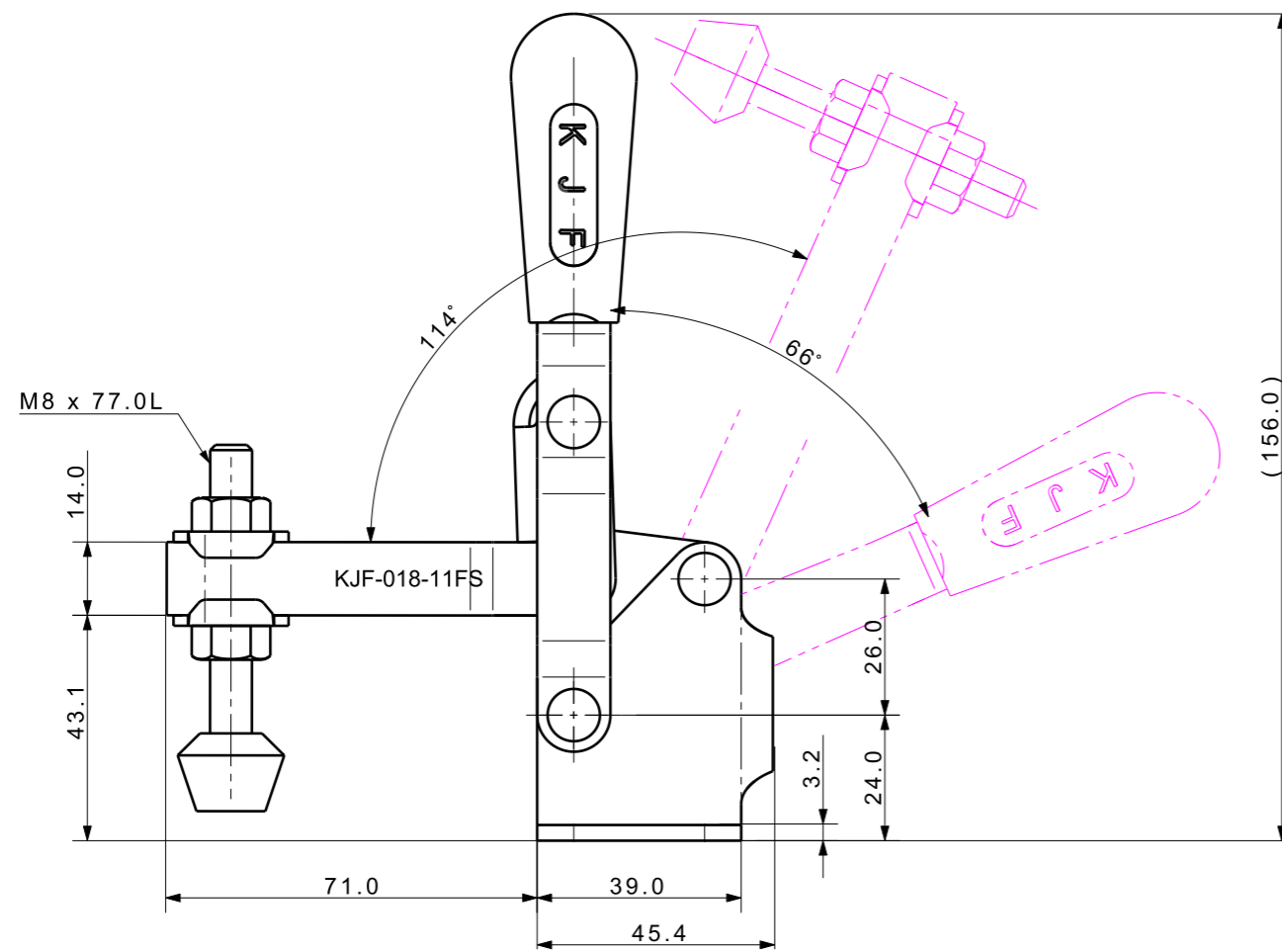
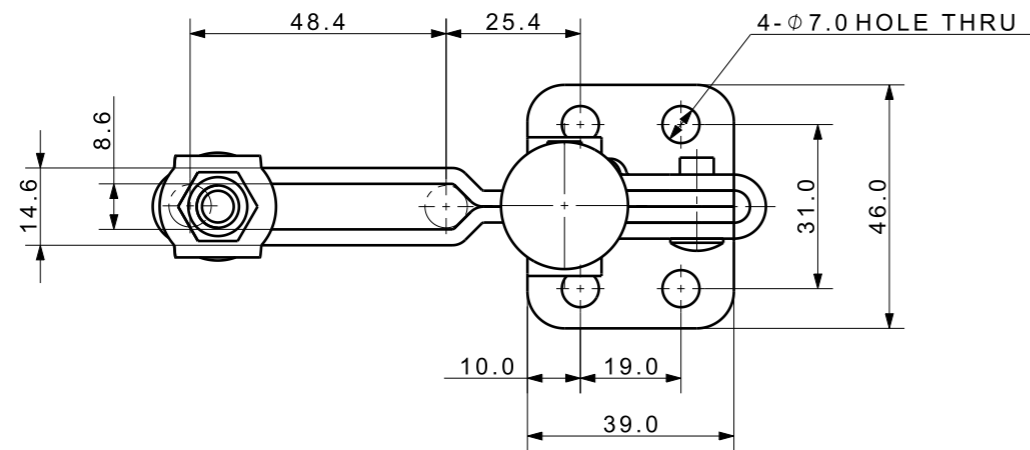



FILE NAME:



Isometric view (3:4)

UNLESS OTHERWISE SPECIFIED	SIGNATURES	MO-DA-YR	 (주)케이제이에프 TOTAL CLAMPING SYSTEMS	
DIMENSIONS ARE IN MM	DRAWN			
ALL SURFACES	CHECKED		<b>TOGGLE CLAMP</b>	
TOLERANCES	APPROVED			
ANGLE			REF DWG NO.	DWG NO.
X ±			---	KJF- 018-11FS
.X ±				A3
.XX ±			SCALE	TOOL <input type="checkbox"/> PART <input type="checkbox"/> SHEET <input type="checkbox"/> OF
FINISH	WORK ORDER NO			
HEAT TREAT				