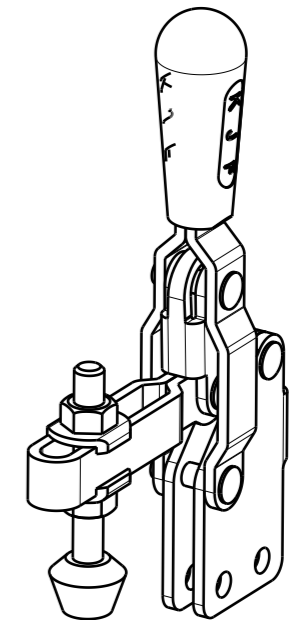
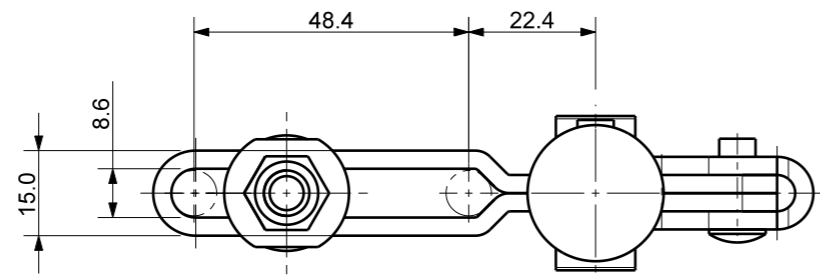
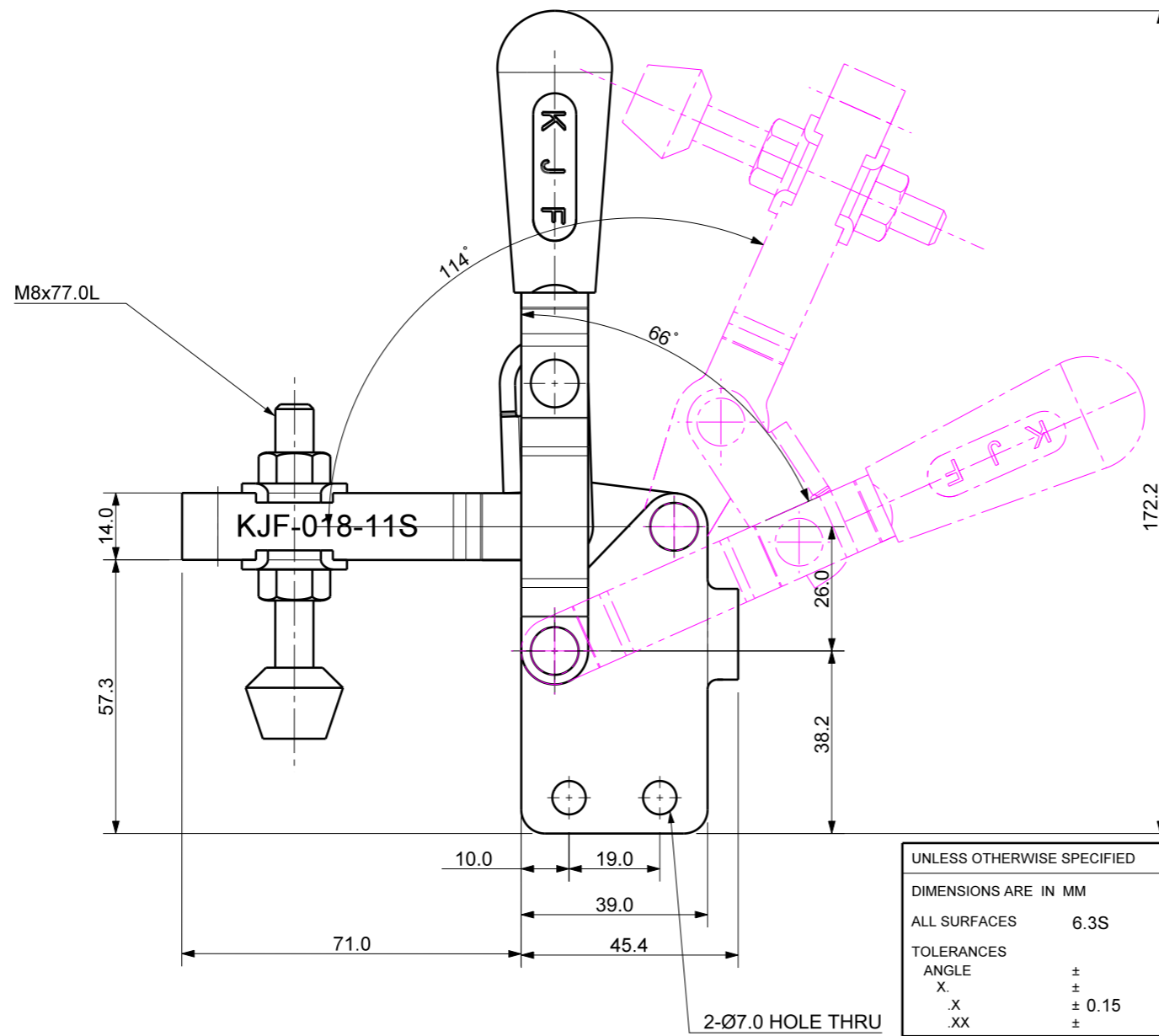
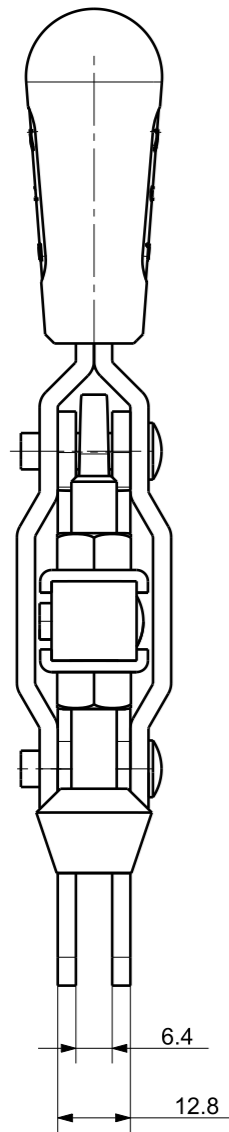


FILE NAME:

REVISIONS				
ZONE	LTR	DESCRIPTION	DATE	APPROVED



Isometric view (1:2)



- 주 기)
- HANDLE MOVES : 66 °
 - PLUNGER MOVES : 114 °
 - Weight : 403g
 - HOLDING CAPACITY : 180Kg

DET. NO	NAME	QTY	MAT'L	FINAL SIZES & PART No	REMARK

UNLESS OTHERWISE SPECIFIED	SIGNATURES	MO-DA-YR	케이제이에프(주) TOTAL CLAMPING SYSTEMS
DIMENSIONS ARE IN MM	DRAWN OYS	00-00-00	
ALL SURFACES 6.3S	CHECKED		
TOLERANCES	APPROVED		TITLE
ANGLE			TOGGLE CLAMP
X ±			(Vertical Type)
.X ± 0.15			REF DWG NO. ---
.XX ±			DWG NO. KJF- 018-11S
FINISH MF Zn2	WORK ORDER NO		A3
HEAT TREAT ---			SCALE / TOOL <input type="checkbox"/> PART <input type="checkbox"/> SHEET OF