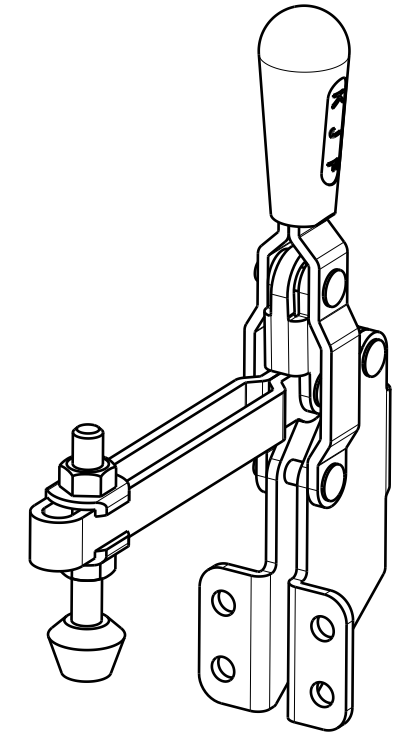
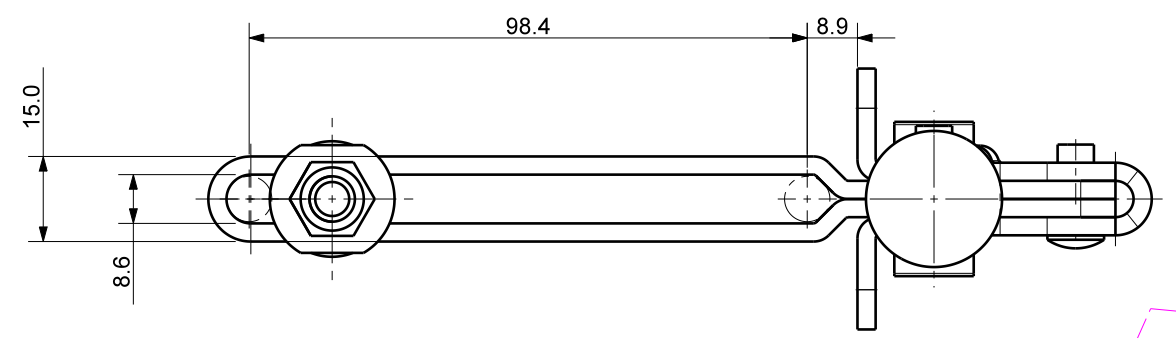


8 7 6 5 4 3 2 1

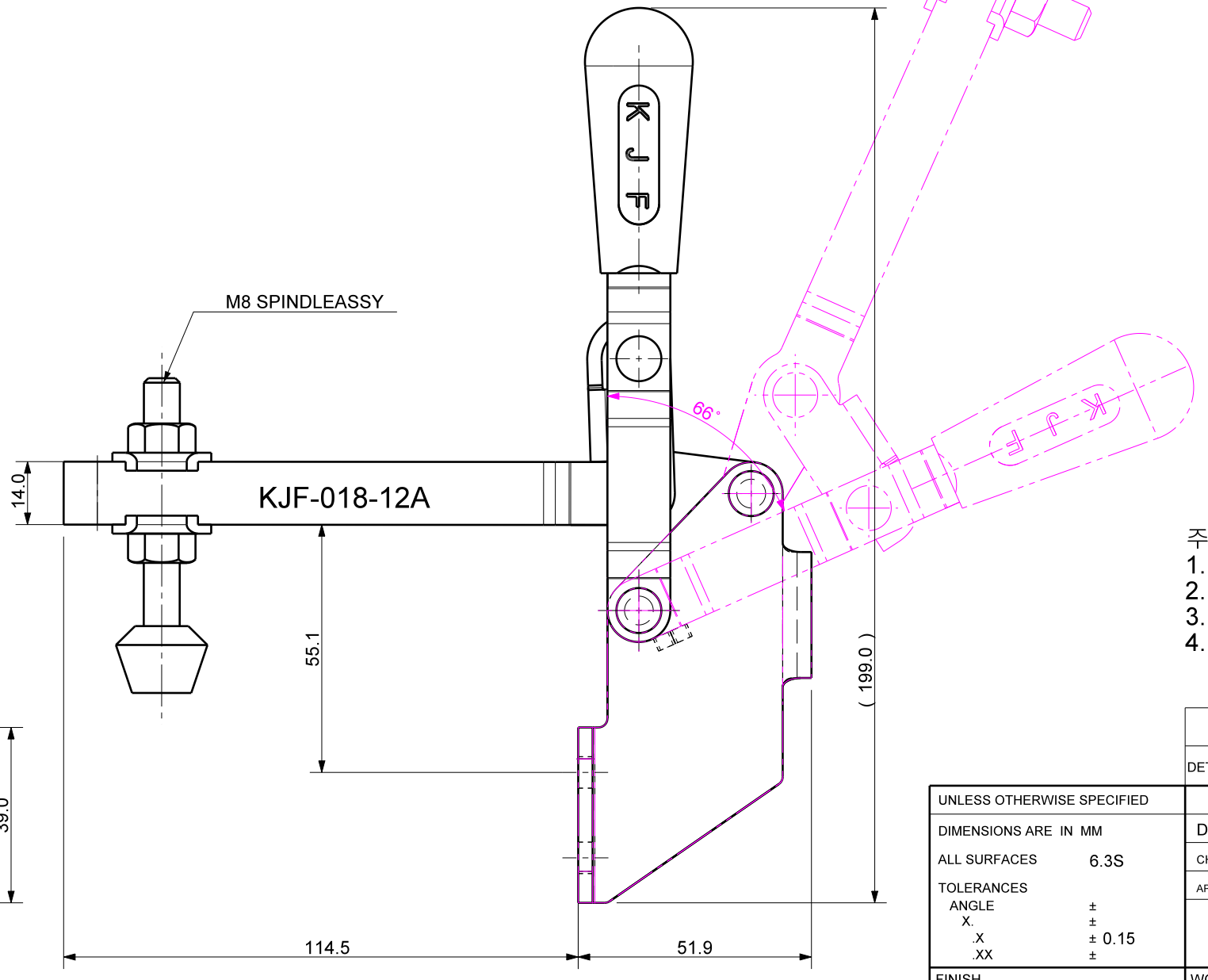
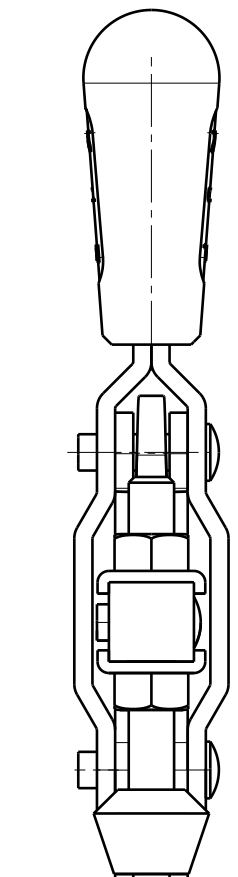
FILE NAME:

REVISIONS

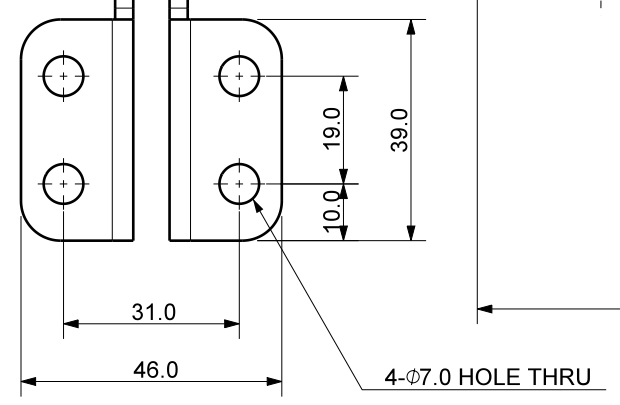
ZONE	LTR	DESCRIPTION	DATE	APPROVED
------	-----	-------------	------	----------



Isometric view (1:2)



- 주 기)
- HANDLE MOVES : 66 °
 - PLUNGER MOVES : 114 °
 - Weight : 534g
 - HOLDING CAPACITY : 180Kg



DET. NO	NAME	QTY	MAT'L	FINAL SIZES & PART No	REMARK
UNLESS OTHERWISE SPECIFIED		SIGNATURES		MO-DA-YR	
DIMENSIONS ARE IN MM		DRAWN		TITLE	
ALL SURFACES 6.3S		CHECKED		KJF 케이제이에프(주) TOTAL CLAMPING SYSTEMS	
TOLERANCES		APPROVED		TOGGLE CLAMP (Vertical Type)	
ANGLE ±		WORK ORDER NO		REF DWG NO. ---	
X ±		REF DWG NO. ---		DWG NO. KJF- 018-12A	
.X ± 0.15		REF DWG NO. ---		A3	
.XX ±		HEAT TREAT		SCALE 3/4	
				TOOL <input type="checkbox"/> PART <input type="checkbox"/> SHEET <input type="checkbox"/> OF	

8 7 6 5 4 3 2 1