
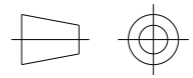



- 주 기)
1. HANDLE MOVES : 66 °
  2. PLUNGER MOVES : 114 °
  3. Weight : 403g
  4. HOLDING CAPACITY : 180Kg

UNLESS OTHERWISE SPECIFIED	SIGNATURES	MO-DA-YR	 케이제이에프(주) TOTAL CLAMPING SYSTEMS		
DIMENSIONS ARE IN MM	DRAWN				
ALL SURFACES	CHECKED		TITLE		
TOLERANCES	APPROVED		<b>TOGGLE CLAMP</b> <b>(Vertical Type)</b>		
ANGLE			REF DWG NO.	DWG NO.	
X ±			---	KJF- 018-12S	A3
.X ±					
.XX ±					
FINISH	WORK ORDER NO		SCALE	TOOL <input type="checkbox"/> PART <input type="checkbox"/> SHEET <input type="checkbox"/> OF	
HEAT TREAT					