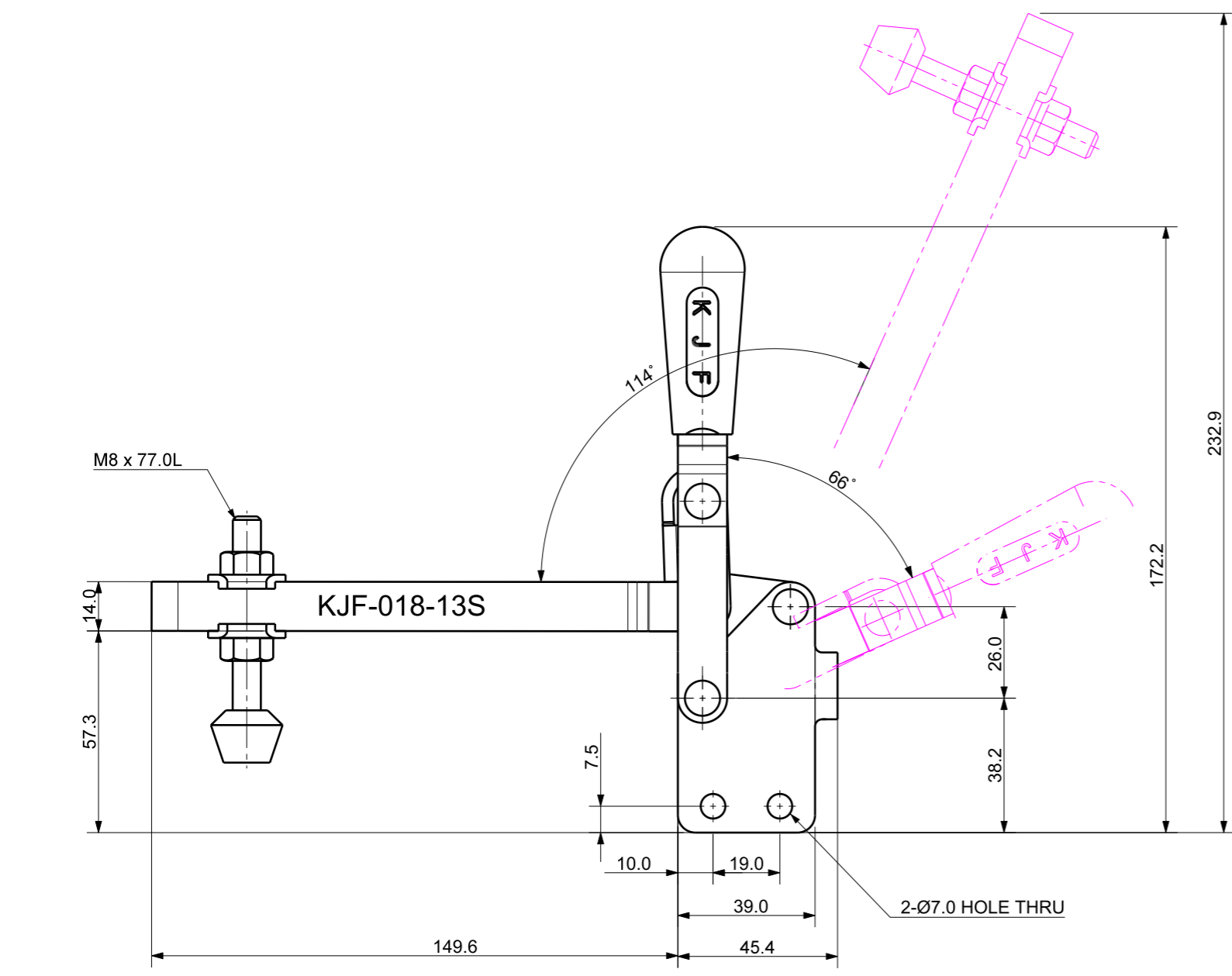


Isometric view (3:4)

- 주 기)
1. HANDLE MOVES : 66 °
 2. PLUNGER MOVES : 114 °
 3. Weight : 452g
 4. HOLDING CAPACITY : 180Kg



UNLESS OTHERWISE SPECIFIED	SIGNATURES	MO-DA-YR	케이제이에프(주) TOTAL CLAMPING SYSTEMS	
DIMENSIONS ARE IN MM	DRAWN			
ALL SURFACES	CHECKED		TOGGLE CLAMP (Vertical Type)	
TOLERANCES	APPROVED			
ANGLE			REF DWG NO.	DWG NO.
X. ±			---	KJF- 018-13S
.X ±				A3
.XX ±			SCALE	TOOL <input type="checkbox"/> PART <input type="checkbox"/> SHEET OF
FINISH	WORK ORDER NO			
HEAT TREAT				