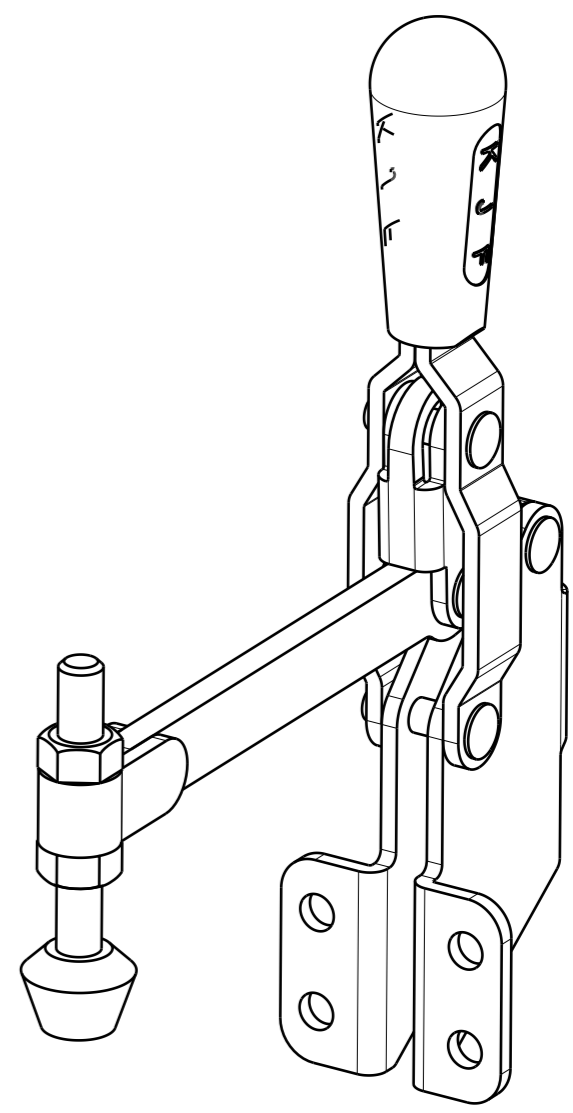
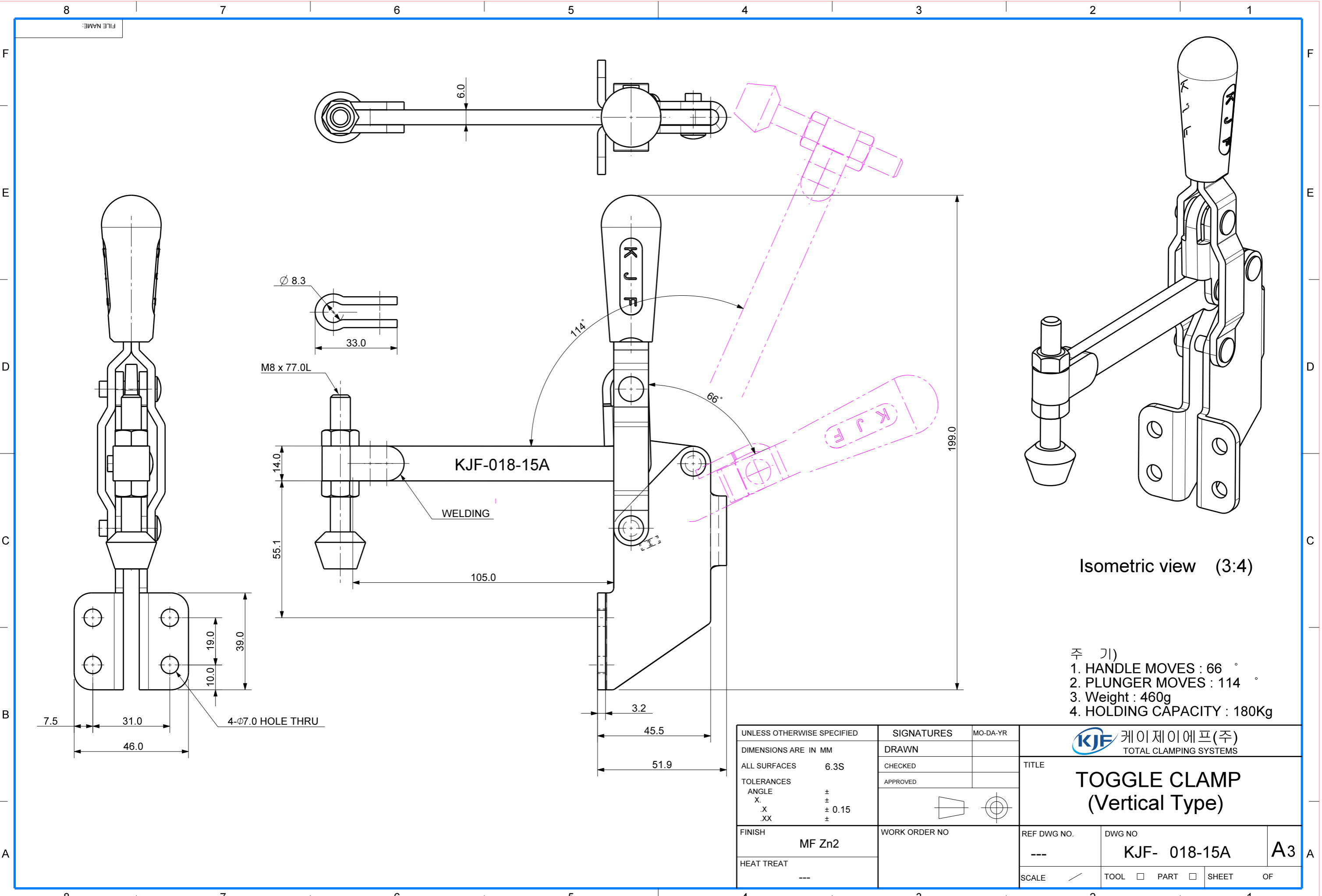


FILE NAME:



Isometric view (3:4)

- 주 기)
1. HANDLE MOVES : 66 °
 2. PLUNGER MOVES : 114 °
 3. Weight : 460g
 4. HOLDING CAPACITY : 180Kg

UNLESS OTHERWISE SPECIFIED		SIGNATURES		MO-DA-YR	
DIMENSIONS ARE IN MM		DRAWN			
ALL SURFACES 6.3S		CHECKED			
TOLERANCES		APPROVED		TITLE	
ANGLE	±			TOGGLE CLAMP (Vertical Type)	
X	±				
.X	± 0.15				
.XX	±				
FINISH	MF Zn2	WORK ORDER NO		REF DWG NO.	DWG NO
HEAT TREAT	---			---	KJF- 018-15A
				SCALE	TOOL <input type="checkbox"/> PART <input type="checkbox"/> SHEET <input type="checkbox"/> OF
					A3