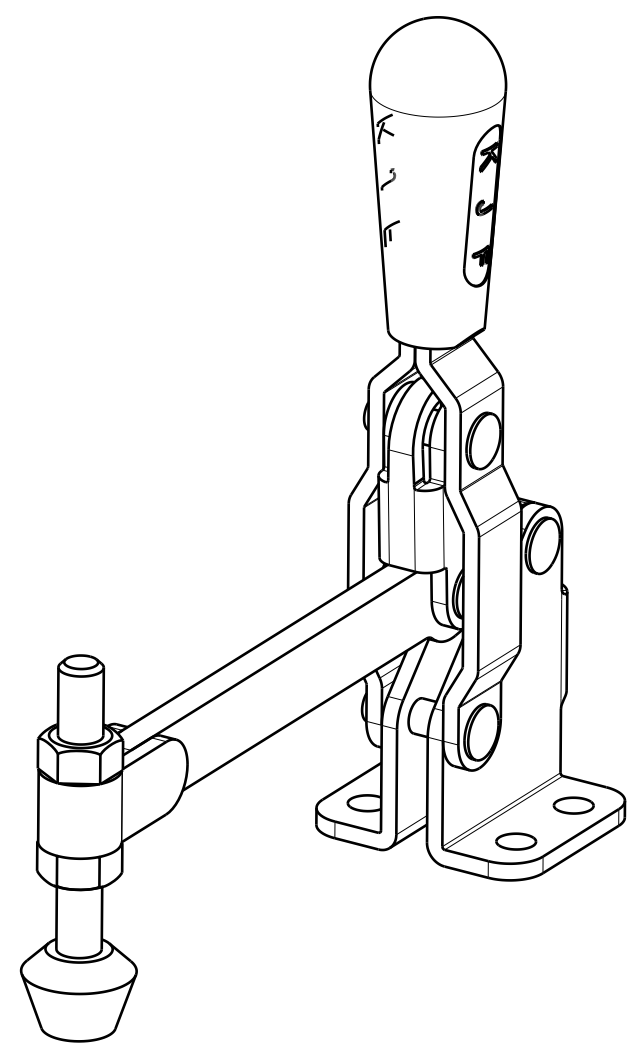
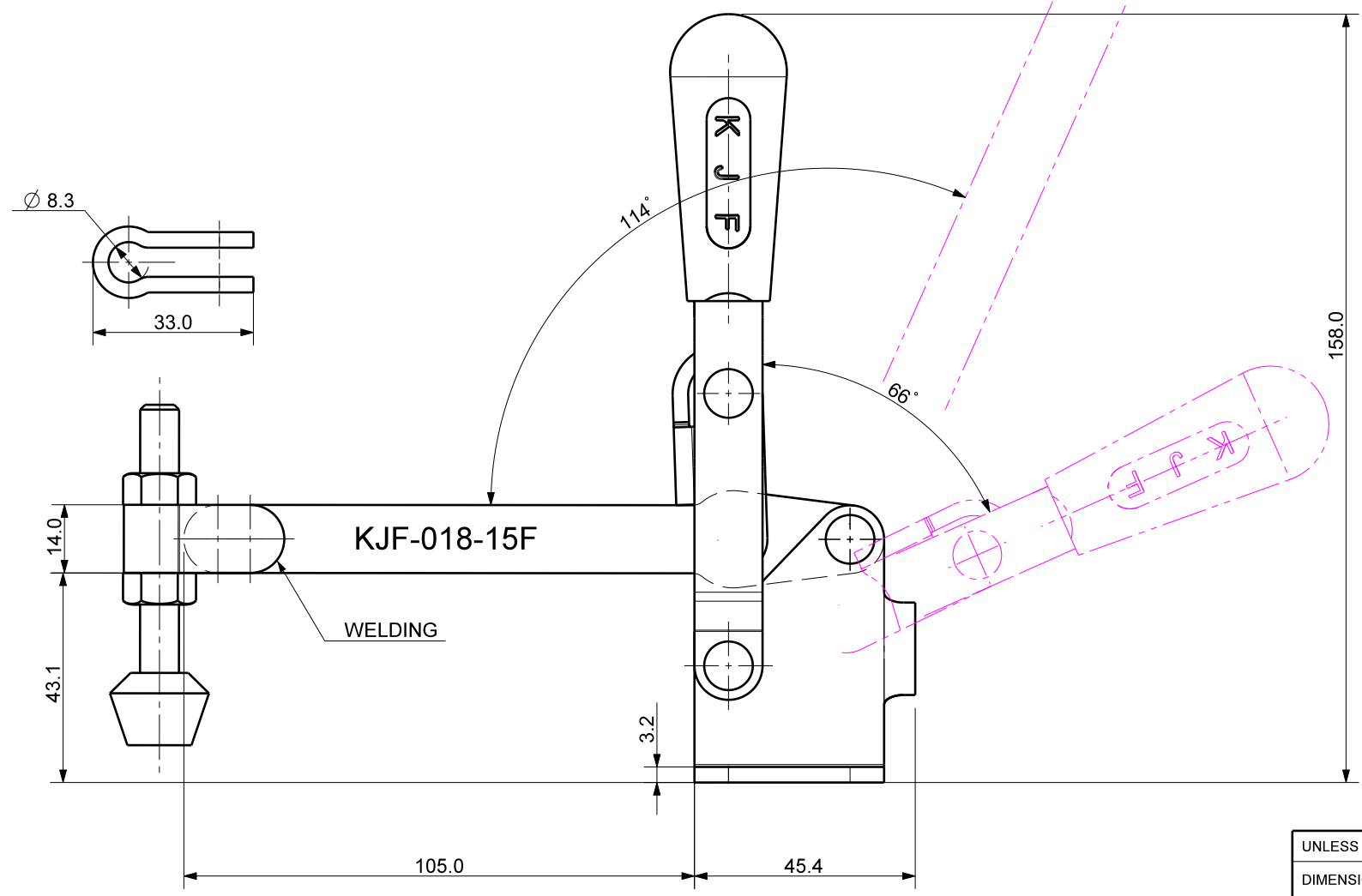
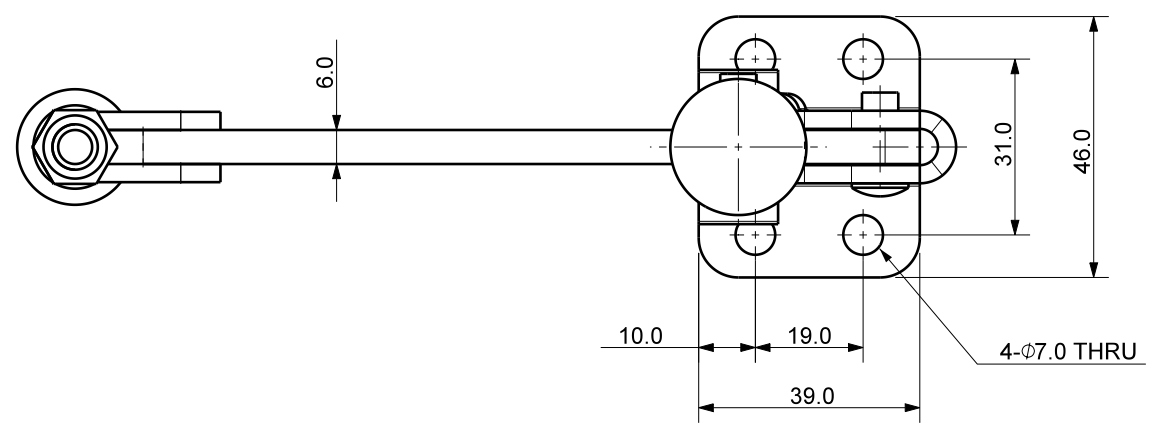


FILE NAME:



Isometric view (3:4)

- 주 기)
1. HANDLE MOVES : 66 °
 2. PLUNGER MOVES : 114 °
 3. Weight : 435g
 4. HOLDING CAPACITY : 180Kg

UNLESS OTHERWISE SPECIFIED	SIGNATURES	MO-DA-YR	케이제이에프(주) TOTAL CLAMPING SYSTEMS			
DIMENSIONS ARE IN MM	DRAWN					
ALL SURFACES	CHECKED		TITLE TOGGLE CLAMP (Vertical Type)			
TOLERANCES	APPROVED					
ANGLE ±			REF DWG NO.	DWG NO.	A3	
X ±			---	KJF- 018-15F		
.X ±				SCALE	TOOL <input type="checkbox"/> PART <input type="checkbox"/> SHEET	OF
.XX ±						
FINISH	WORK ORDER NO					
HEAT TREAT						