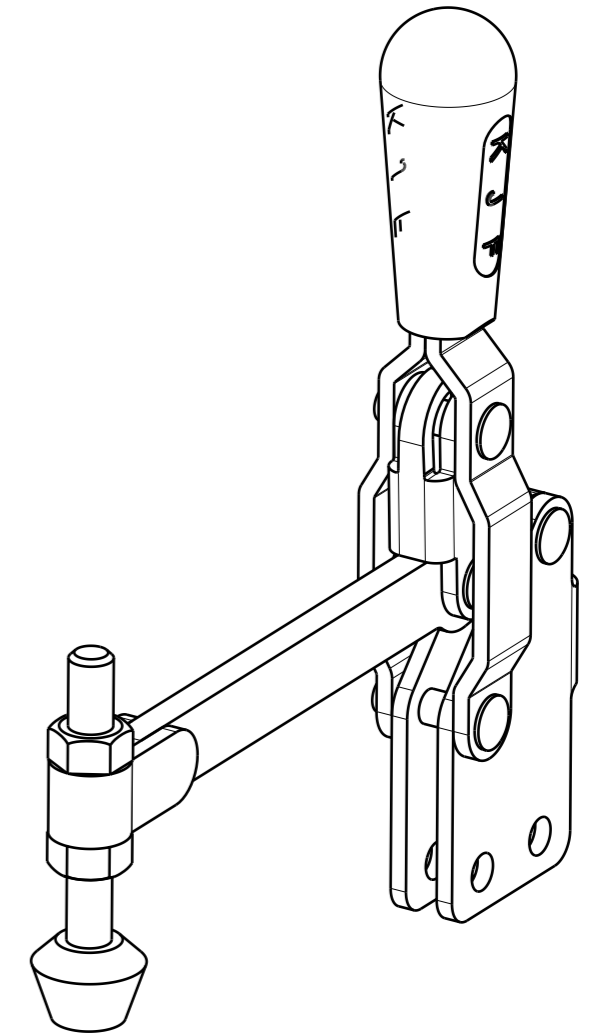
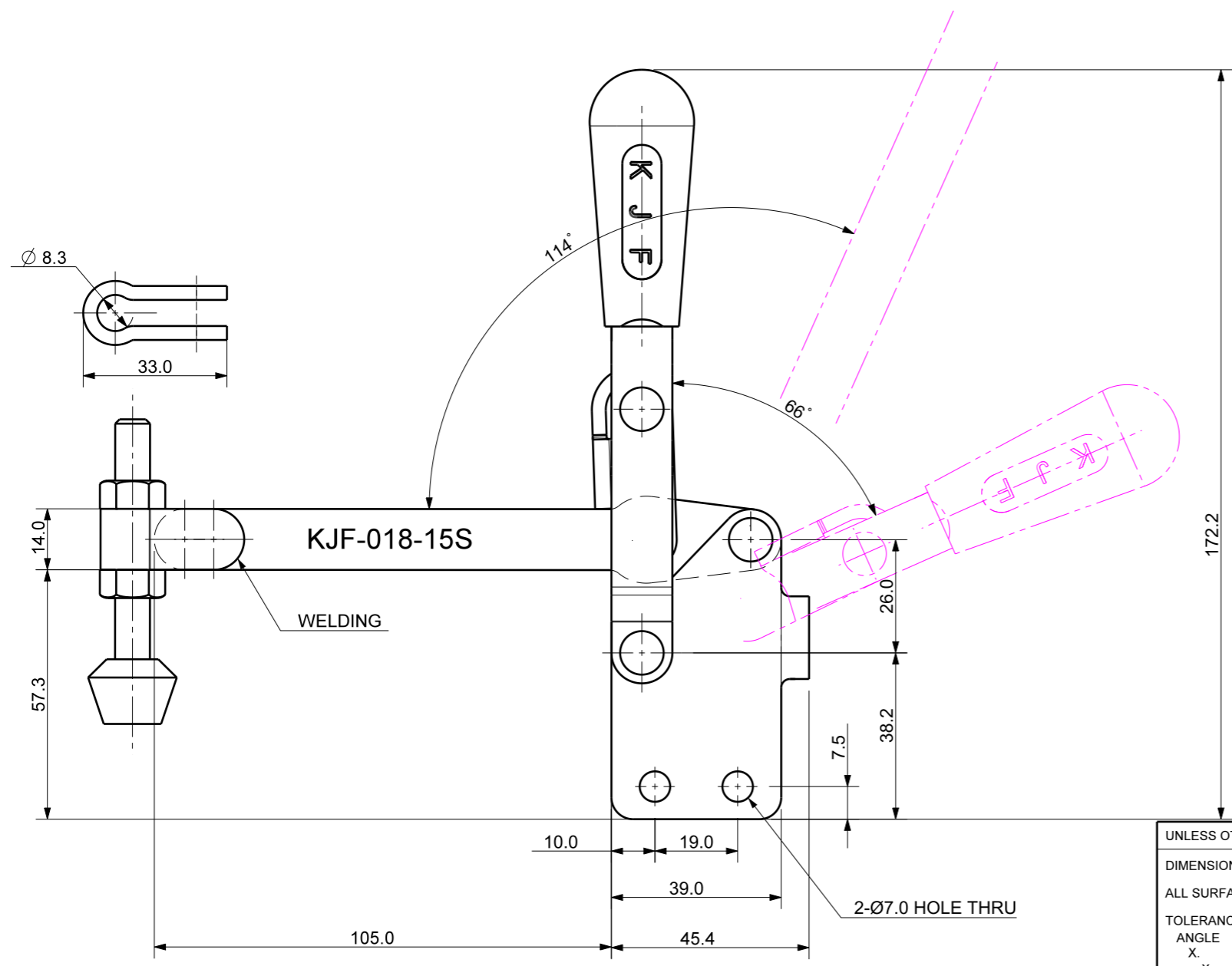
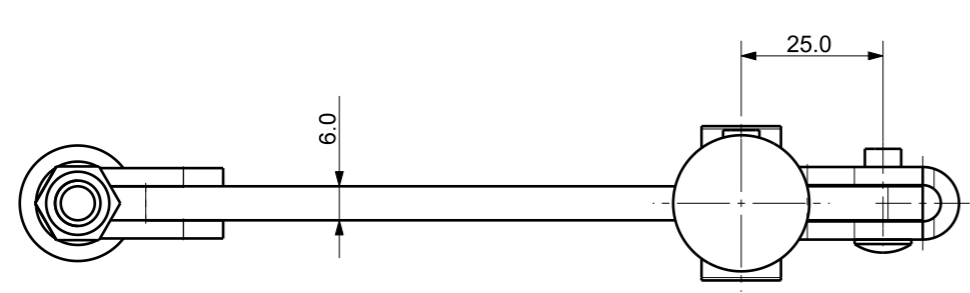



FILE NAME:



Isometric view (3:4)

- 주 기)
1. HANDLE MOVES : 66 °
 2. PLUNGER MOVES : 114 °
 3. Weight : 405g
 4. HOLDING CAPACITY : 180Kg

| | | | | |
|---|---------------|-------------|---|-----------|
| UNLESS OTHERWISE SPECIFIED DIMENSIONS ARE IN MM ALL SURFACES TOLERANCES ANGLE X ± .X ± .XX ± FINISH HEAT TREAT --- | SIGNATURES | MO-DA-YR |  케이제이에프(주) TOTAL CLAMPING SYSTEMS | |
| | DRAWN | | | |
| | CHECKED | | TOGGLE CLAMP (Vertical Type) | |
| | APPROVED | | | |
| | WORK ORDER NO | REF DWG NO. | DWG NO | |
| | | --- | KJF- 018-15S | A3 |
| | | SCALE | TOOL <input type="checkbox"/> PART <input type="checkbox"/> SHEET | OF |