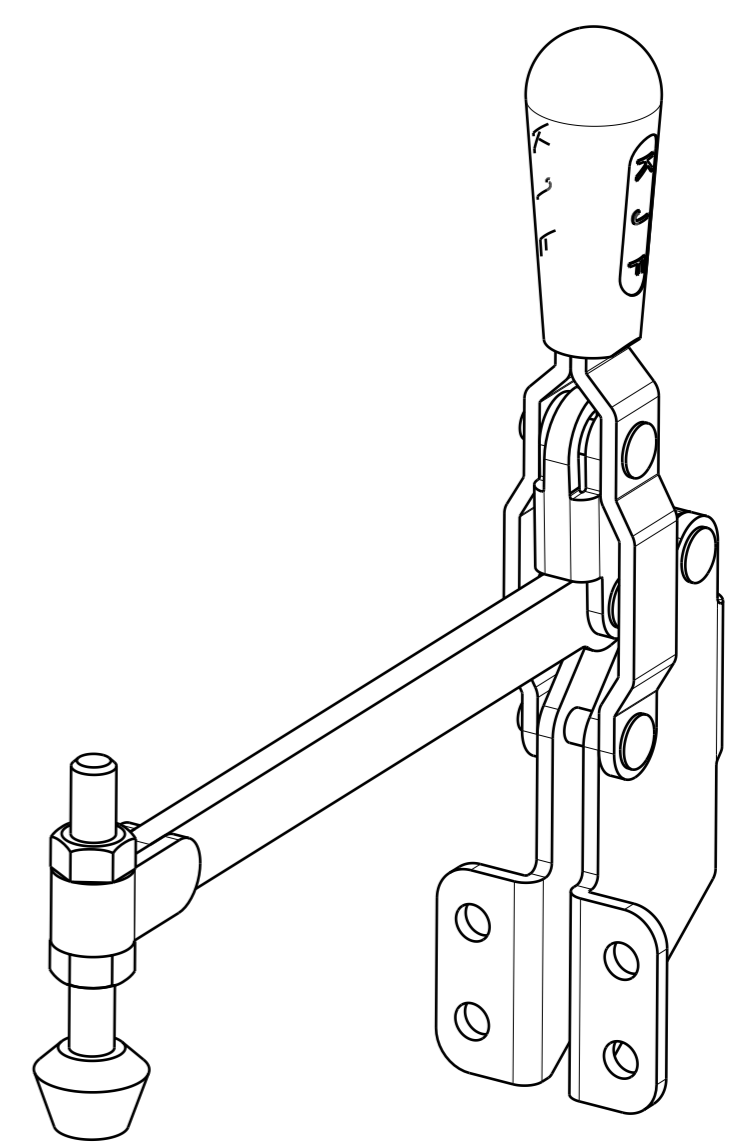
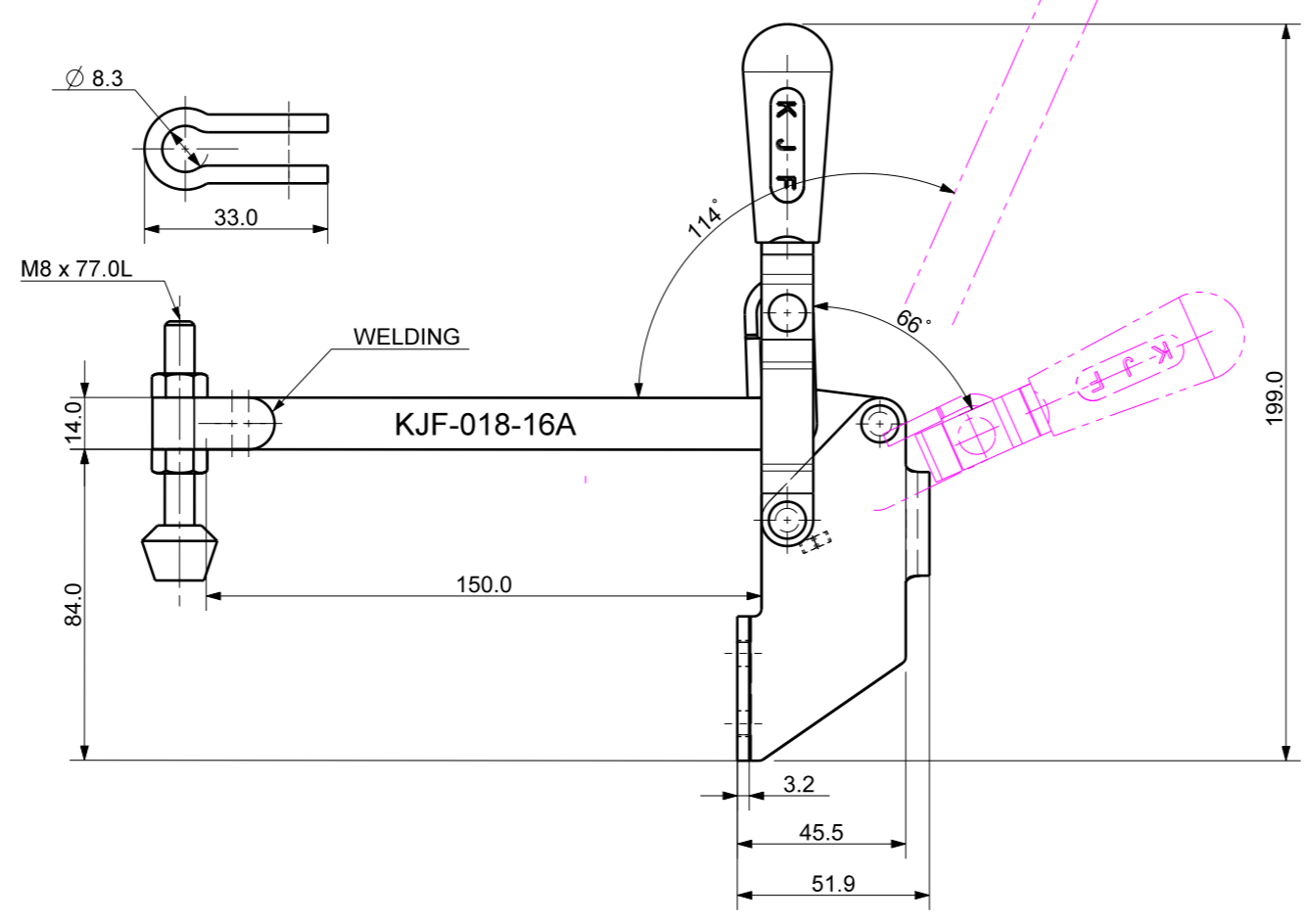
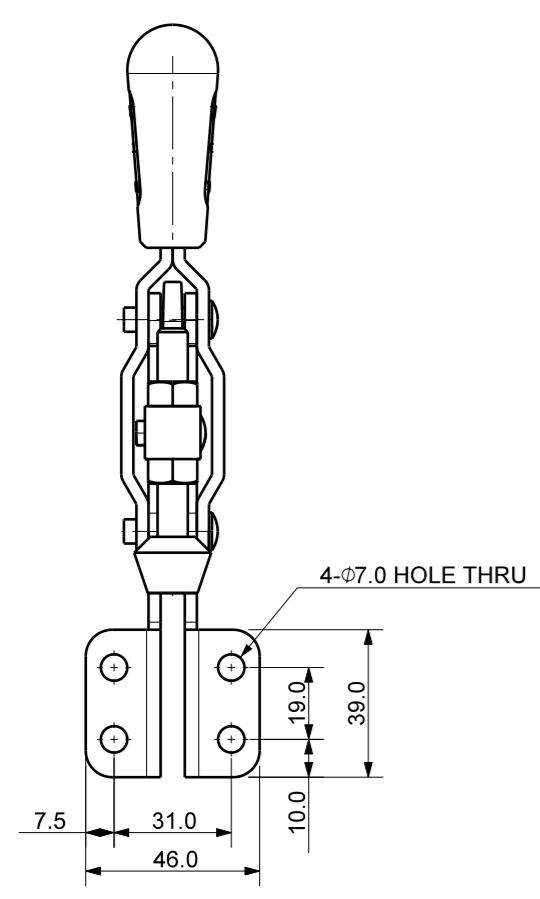
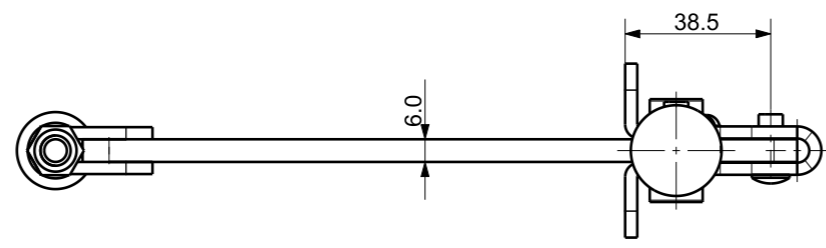



FILE NAME:



Isometric view (3:4)

- 주 기)
1. HANDLE MOVES : 66 °
  2. PLUNGER MOVES : 114 °
  3. HOLDING CAPACITY : 180Kg

UNLESS OTHERWISE SPECIFIED	SIGNATURES	MO-DA-YR	 케이제이에프(주) TOTAL CLAMPING SYSTEMS		
DIMENSIONS ARE IN MM	DRAWN				TITLE
ALL SURFACES	CHECKED				<b>TOGGLE CLAMP</b> (Vertical Type)
TOLERANCES	APPROVED		REF DWG NO.	DWG NO.	
ANGLE			---	<b>KJF- 018-16A</b>	
X				<b>A3</b>	
.X					
.XX					
FINISH	WORK ORDER NO		SCALE	TOOL <input type="checkbox"/> PART <input type="checkbox"/> SHEET <input type="checkbox"/> OF	
HEAT TREAT					
---					