
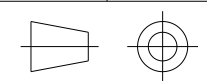


Isometric view (3:4)

- 주 기)
- HANDLE MOVES : 66 °
 - PLUNGER MOVES : 114 °
 - Weight : 465g
 - HOLDING CAPACITY : 180Kg

UNLESS OTHERWISE SPECIFIED DIMENSIONS ARE IN MM ALL SURFACES TOLERANCES ANGLE X. ± .X ± .XX ± FINISH HEAT TREAT ---	SIGNATURES		MO-DA-YR	 케이제이에프(주) TOTAL CLAMPING SYSTEMS			
	DRAWN					TITLE	
	CHECKED				TOGGLE CLAMP (Vertical Type)		
	APPROVED					REF DWG NO. ---	DWG NO. KJF- 018-16F
WORK ORDER NO		SCALE /		TOOL <input type="checkbox"/>	PART <input type="checkbox"/>	SHEET	OF