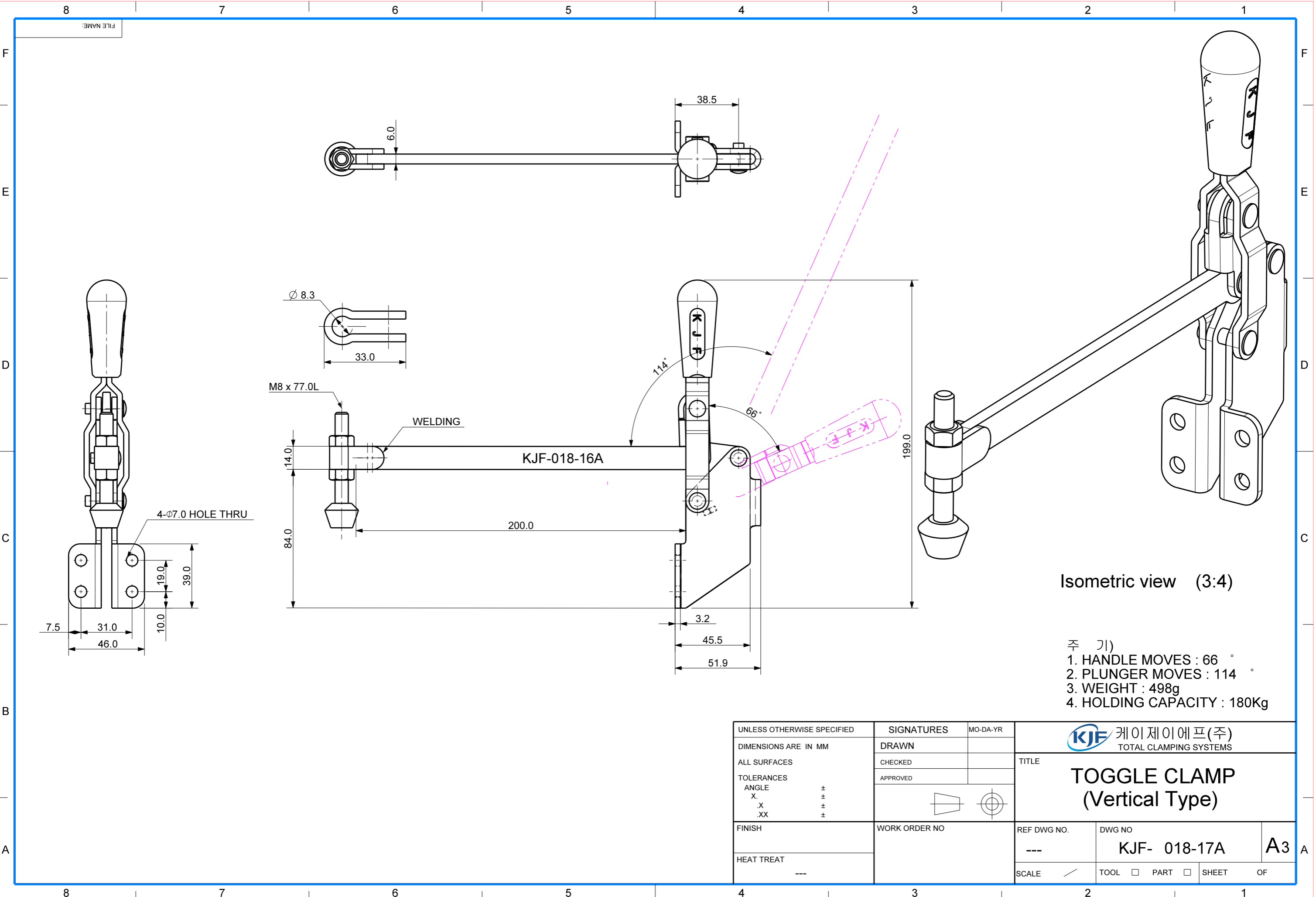



FILE NAME:



Isometric view (3:4)

- 주 기)
1. HANDLE MOVES : 66 °
  2. PLUNGER MOVES : 114 °
  3. WEIGHT : 498g
  4. HOLDING CAPACITY : 180Kg

UNLESS OTHERWISE SPECIFIED DIMENSIONS ARE IN MM ALL SURFACES TOLERANCES ANGLE X           ± .X           ± .XX          ± FINISH HEAT TREAT ---	SIGNATURES	MO-DA-YR	 케이제이에프(주) TOTAL CLAMPING SYSTEMS			
	DRAWN				TITLE	
	CHECKED		<b>TOGGLE CLAMP</b> <b>(Vertical Type)</b>			
	APPROVED					
	WORK ORDER NO	REF DWG NO.	DWG NO.			
		---	KJF- 018-17A	A3		
		SCALE	TOOL	PART	SHEET	OF