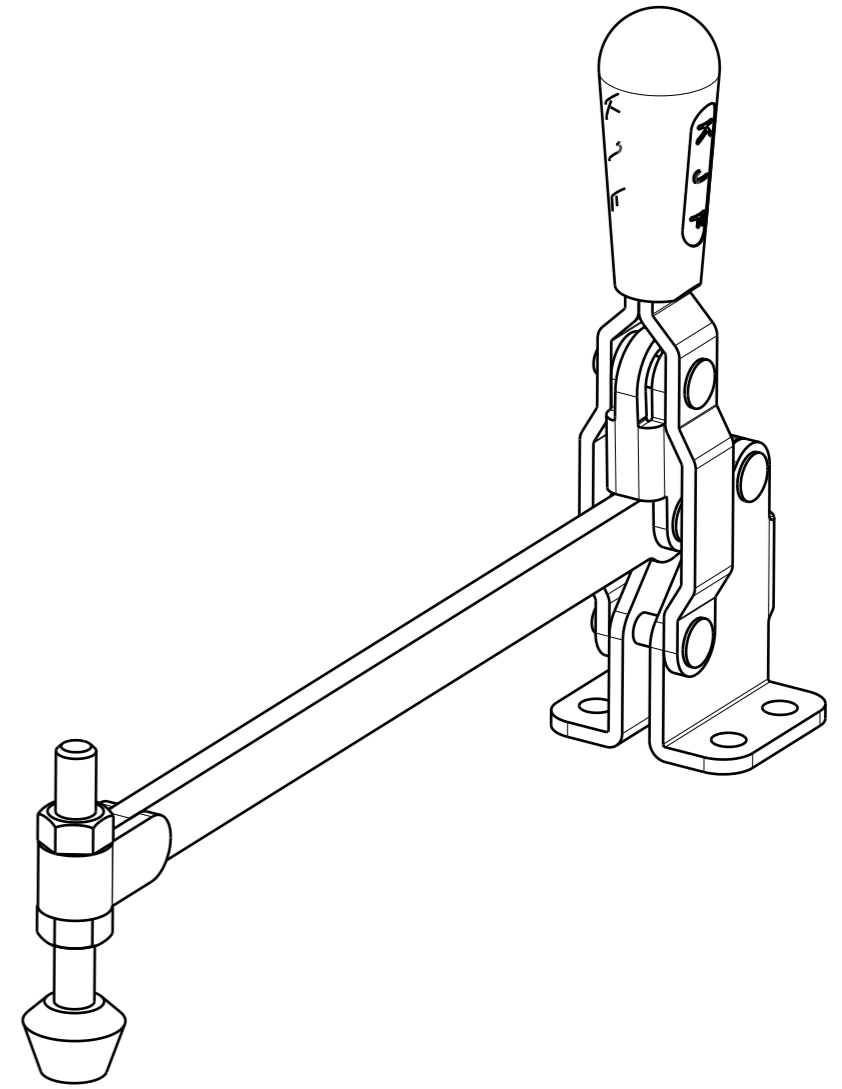
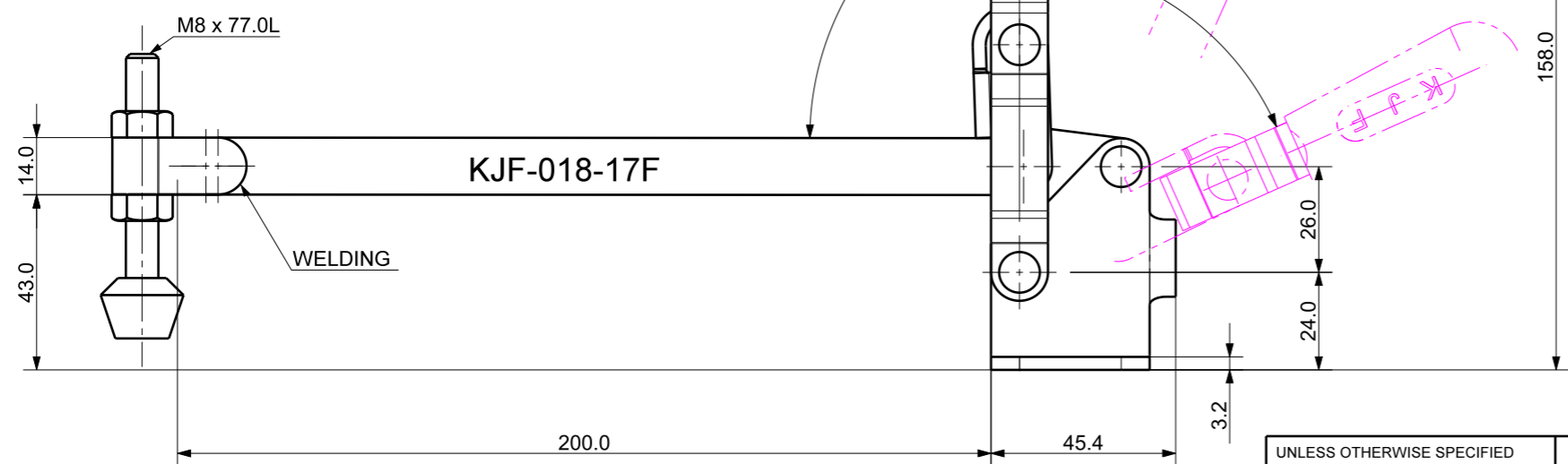
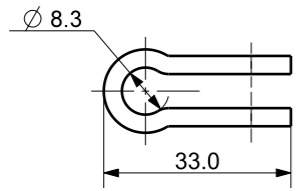
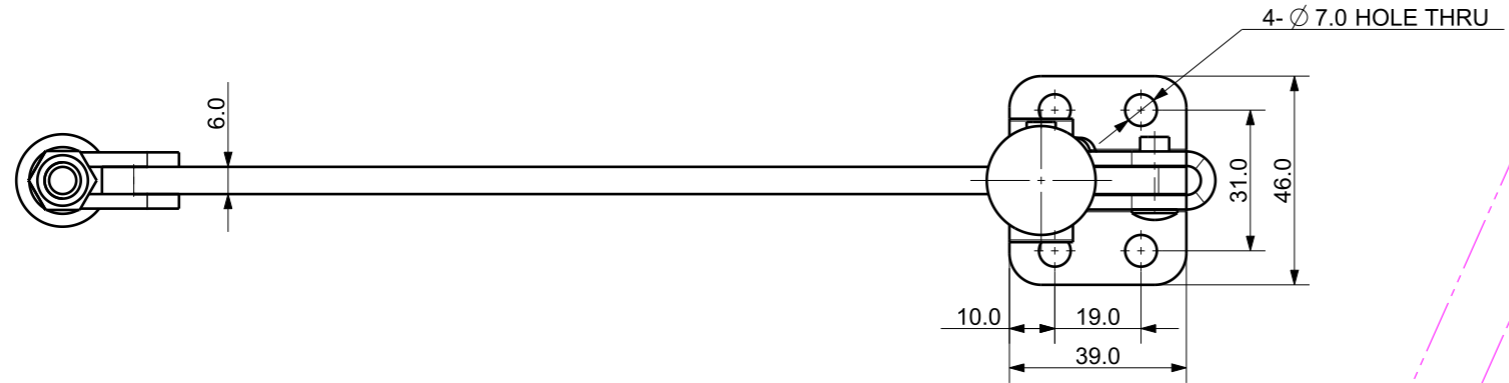


FILE NAME:



Isometric view (2:3)

- 주 기)
1. HANDLE MOVES : 66 °
 2. PLUNGER MOVES : 114 °
 3. Weight : 498g
 4. HOLDING CAPACITY : 180Kg

UNLESS OTHERWISE SPECIFIED DIMENSIONS ARE IN MM ALL SURFACES TOLERANCES ANGLE X ± .X ± .XX ±	SIGNATURES	MO-DA-YR	케이제이에프(주) TOTAL CLAMPING SYSTEMS	
	DRAWN			
	FINISH ---	WORK ORDER NO	REF DWG NO. ---	DWG NO. KJF- 018-17F_-
HEAT TREAT ---		SCALE /	TOOL <input type="checkbox"/> PART <input type="checkbox"/> SHEET	OF

TOGGLE CLAMP
(Vertical Type)