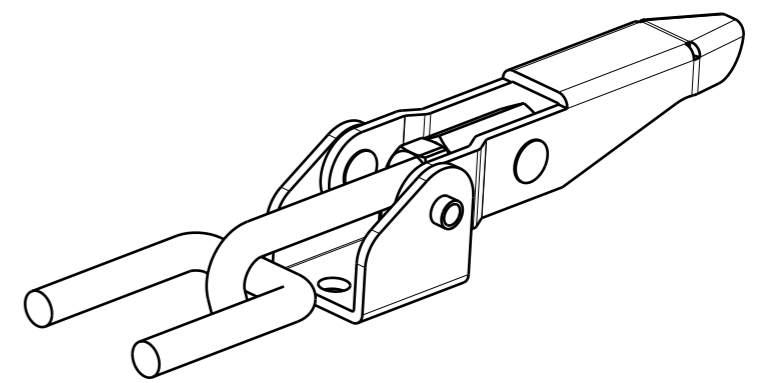
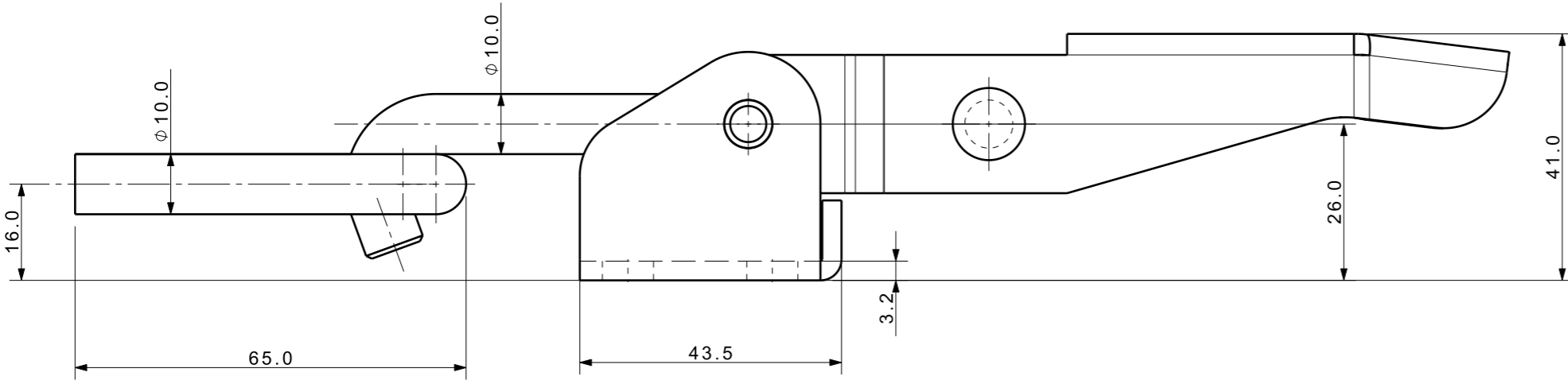
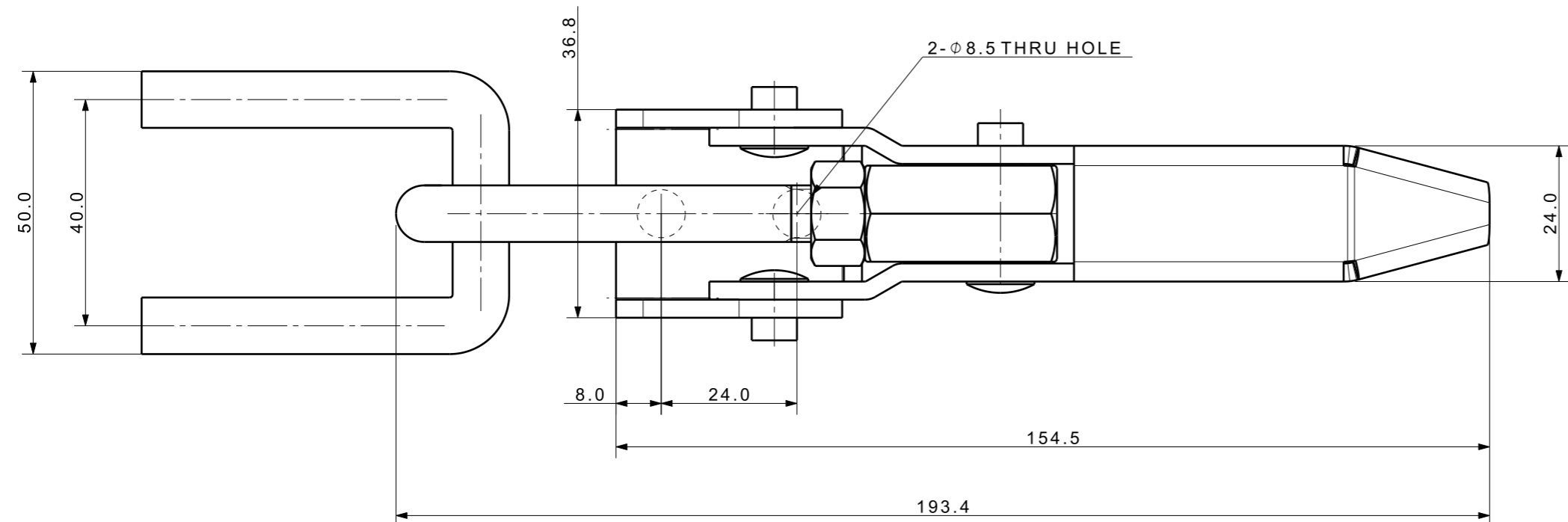



FILE NAME:



Isometric view (1:2)

UNLESS OTHERWISE SPECIFIED	SIGNATURES	MO-DA-YR	 (주)케이제이에프 TOTAL CLAMPING SYSTEMS	
DIMENSIONS ARE IN MM	DRAWN			
ALL SURFACES	CHECKED		<b>TOGGLE CLAMP</b> (LATCH TYPE)	
TOLERANCES	APPROVED			
ANGLE			REF DWG NO.	DWG NO.
.X			---	KJF- 030-41F
.X				A3
.XX			SCALE	TOOL <input type="checkbox"/> PART <input type="checkbox"/> SHEET OF
FINISH	WORK ORDER NO			
HEAT TREAT				