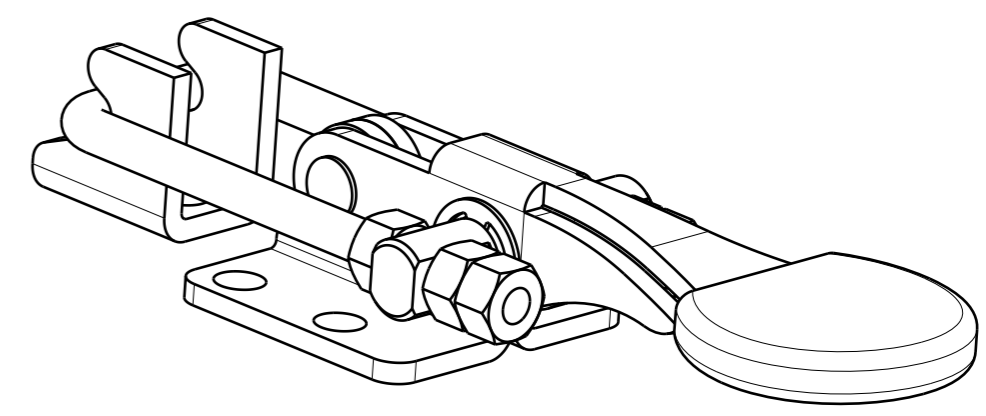
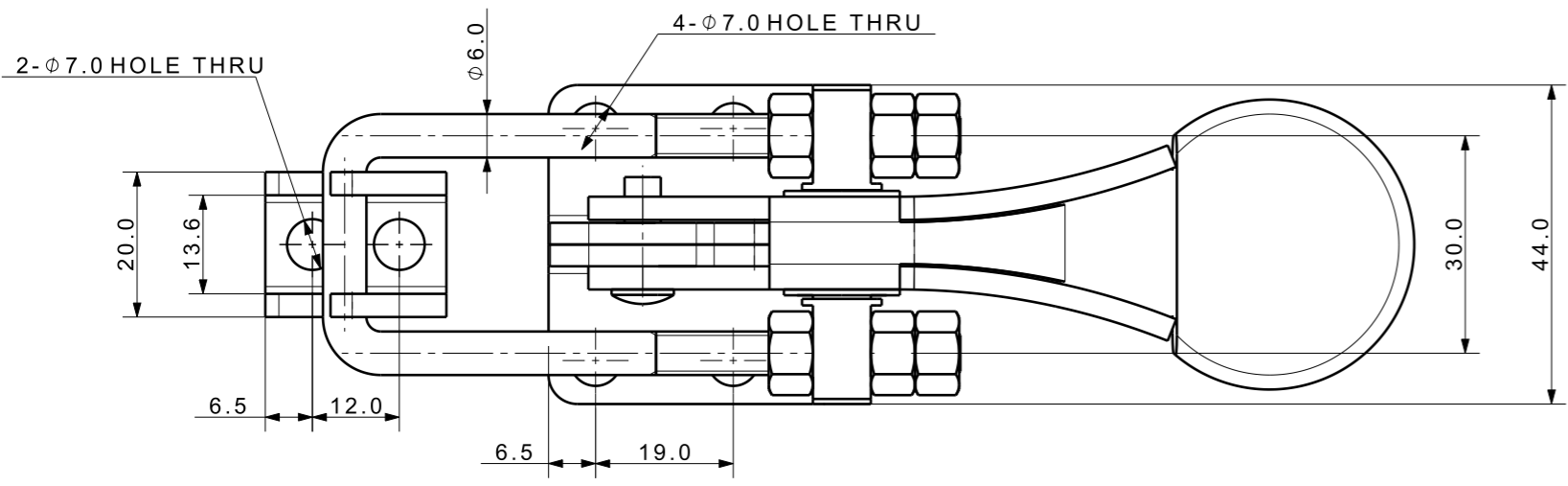
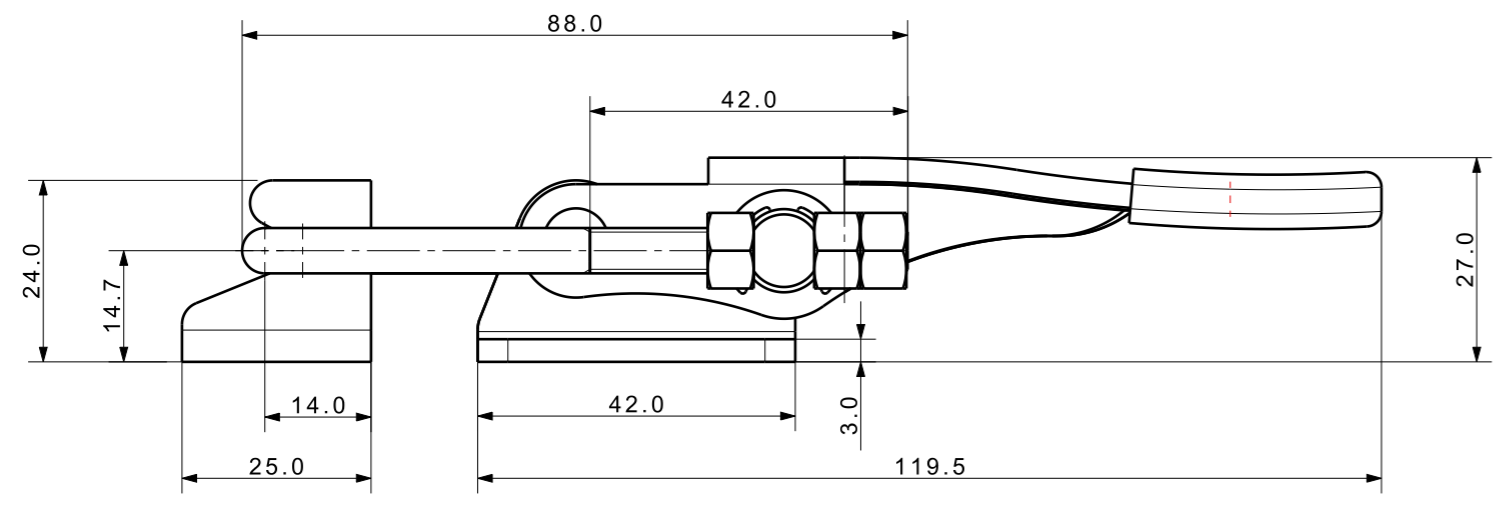

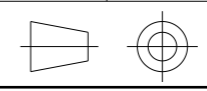


FILE NAME:



Isometric view (1:1)



UNLESS OTHERWISE SPECIFIED		SIGNATURES		MO-DA-YR		 (주)케이제이에프 TOTAL CLAMPING SYSTEMS	
DIMENSIONS ARE IN MM		DRAWN					
ALL SURFACES		CHECKED				TOGGLE CLAMP (LATCH TYPE)	
TOLERANCES		APPROVED					
ANGLE							
X							
.X							
.XX							
FINISH		WORK ORDER NO		REF DWG NO.		DWG NO	
				---		KJF- 032-41FA_A	
HEAT TREAT				SCALE		A3	
				/		TOOL <input type="checkbox"/> PART <input type="checkbox"/> SHEET <input type="checkbox"/> OF	