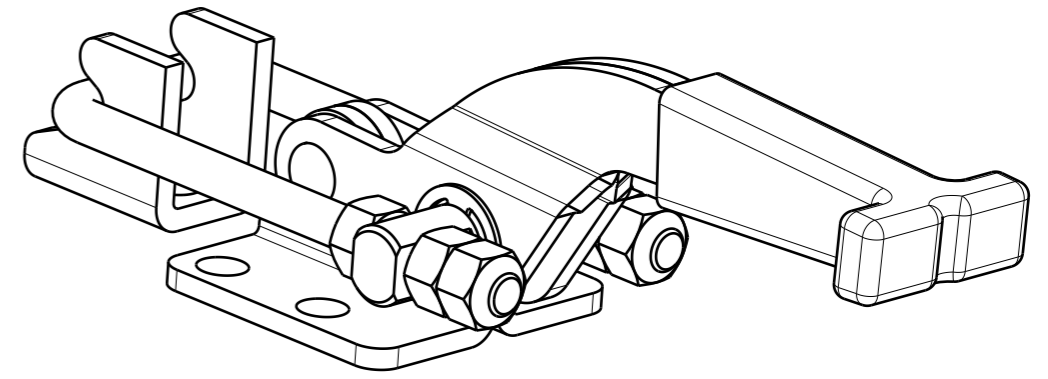
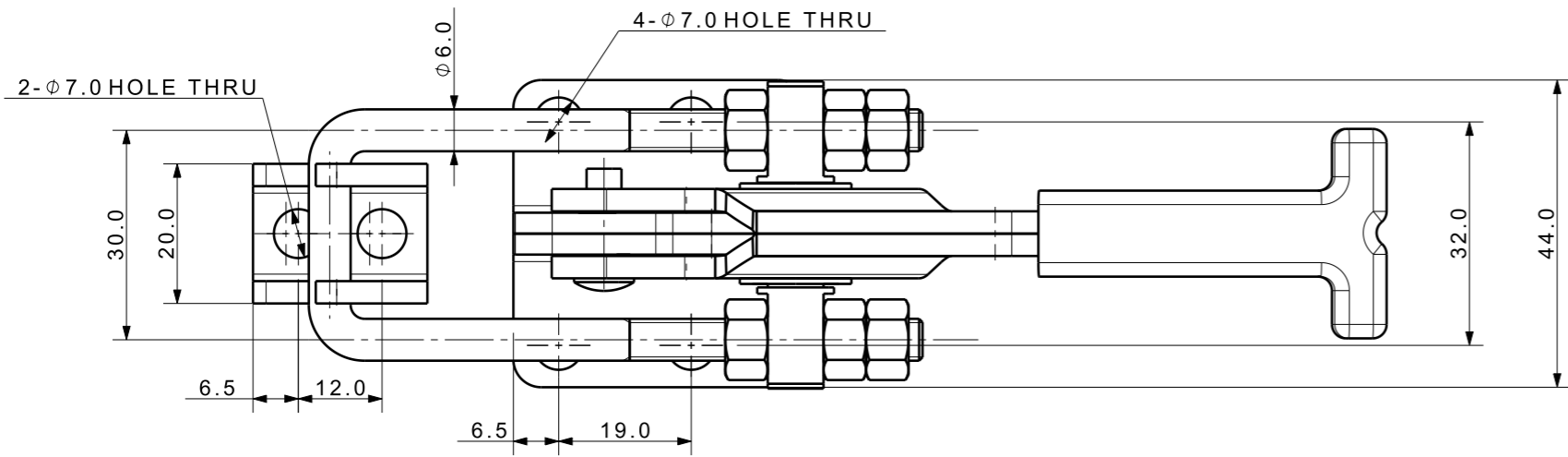
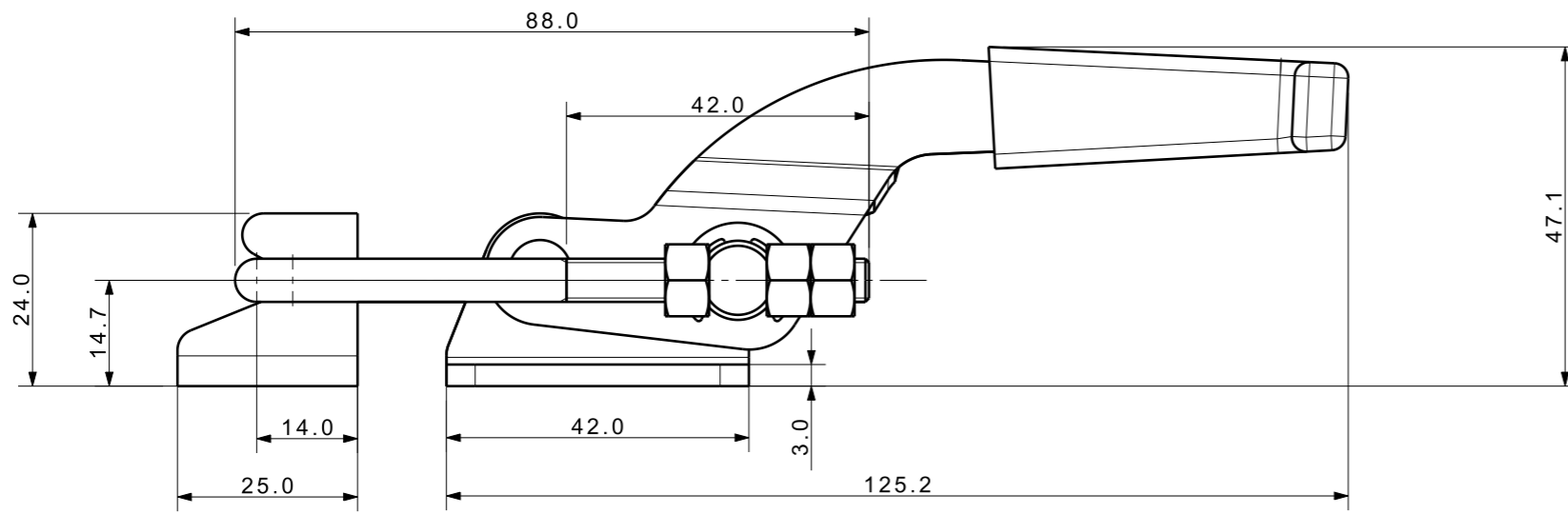



FILE NAME:



Isometric view (1:1)



UNLESS OTHERWISE SPECIFIED	SIGNATURES	MO-DA-YR	 (주)케이제이에프 TOTAL CLAMPING SYSTEMS				
DIMENSIONS ARE IN MM	DRAWN				TITLE		
ALL SURFACES	CHECKED		TOGGLE CLAMP (LATCH TYPE)				
TOLERANCES	APPROVED						
ANGLE			REF DWG NO.	DWG NO.	A3		
.X			---	KJF- 032-41FS_A			
.X			SCALE	TOOL	PART	SHEET	OF
.XX							
FINISH	WORK ORDER NO						
HEAT TREAT							