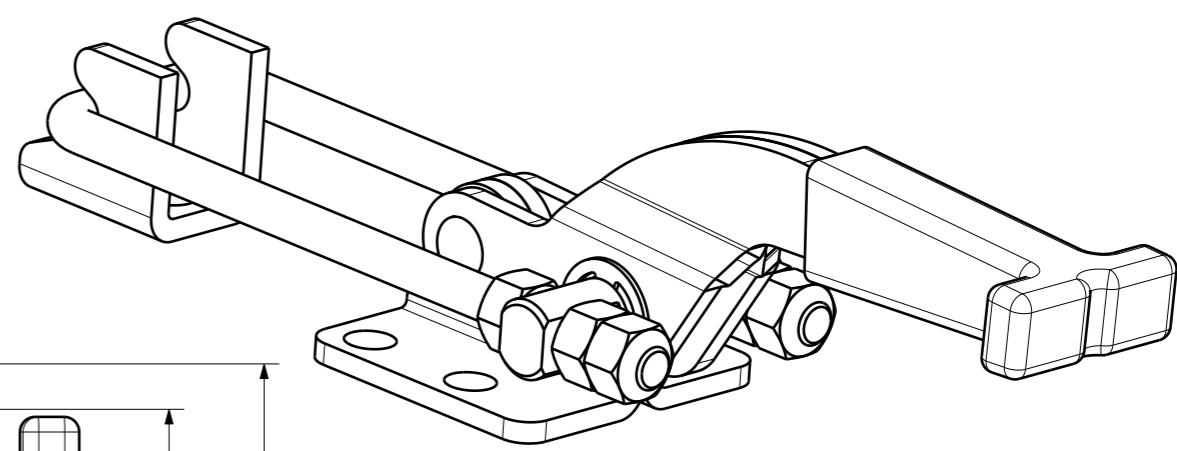
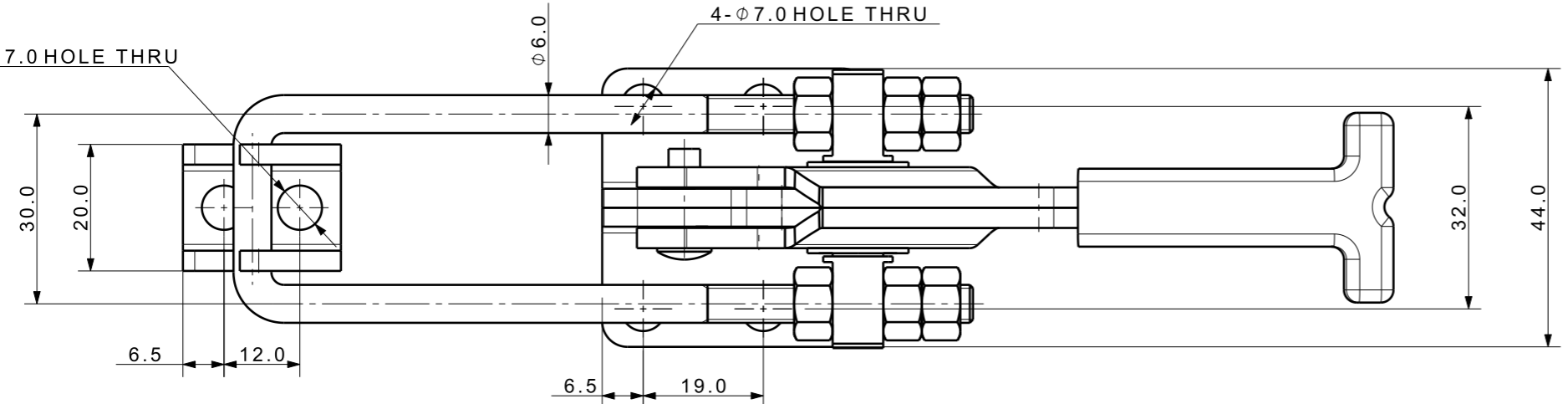


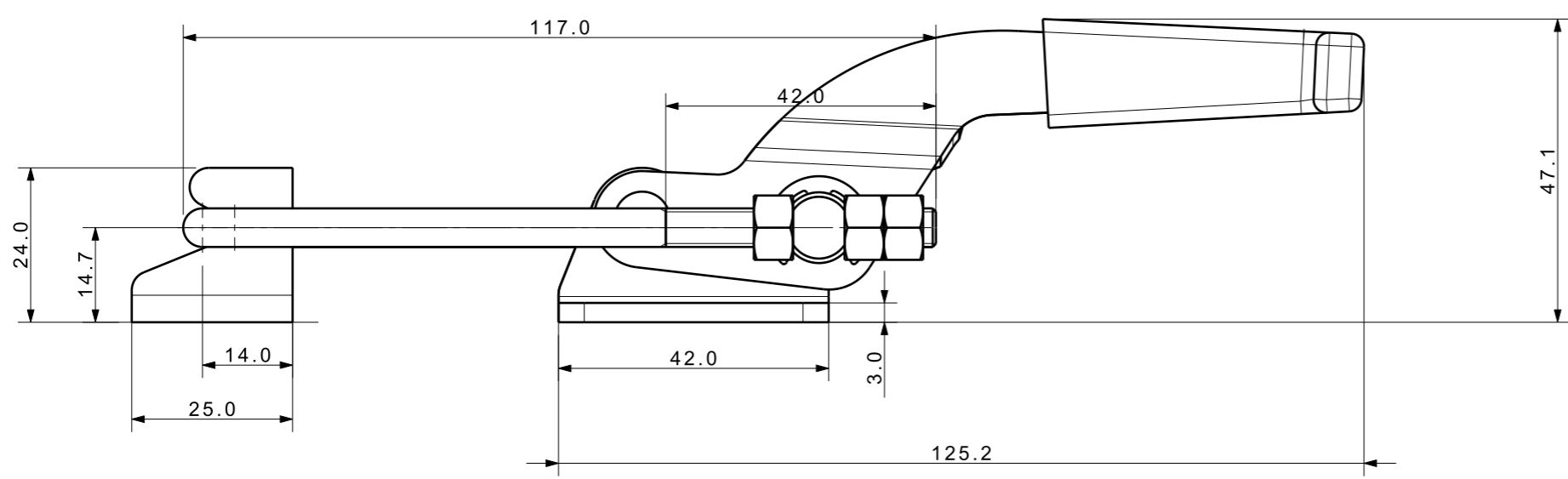
FILE NAME:


2- ϕ 7.0 HOLE THRU

4- ϕ 7.0 HOLE THRU



Isometric view (1:1)



UNLESS OTHERWISE SPECIFIED	SIGNATURES	MO-DA-YR	 (주)케이제이에프 TOTAL CLAMPING SYSTEMS	
DIMENSIONS ARE IN MM	DRAWN			
ALL SURFACES	CHECKED		TITLE	
TOLERANCES	APPROVED		TOGGLE CLAMP (LATCH TYPE)	
ANGLE				
X			REF DWG NO.	DWG NO
.X			---	KJF- 032-42FS_A
.XX			SCALE	TOOL <input type="checkbox"/> PART <input type="checkbox"/> SHEET OF
FINISH	WORK ORDER NO			A3
HEAT TREAT				