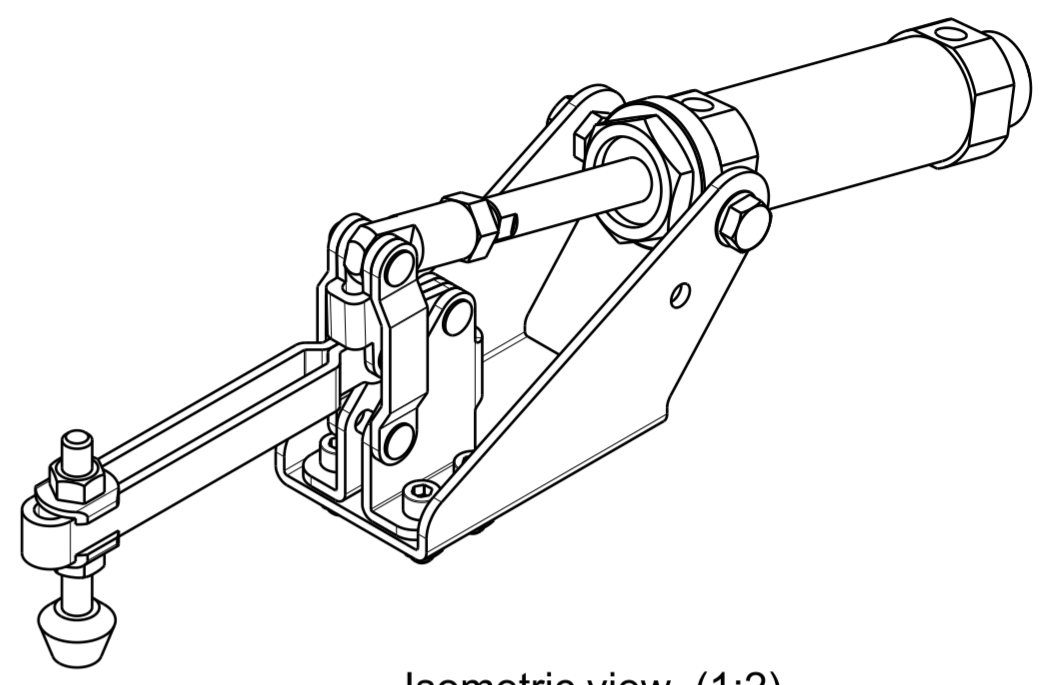
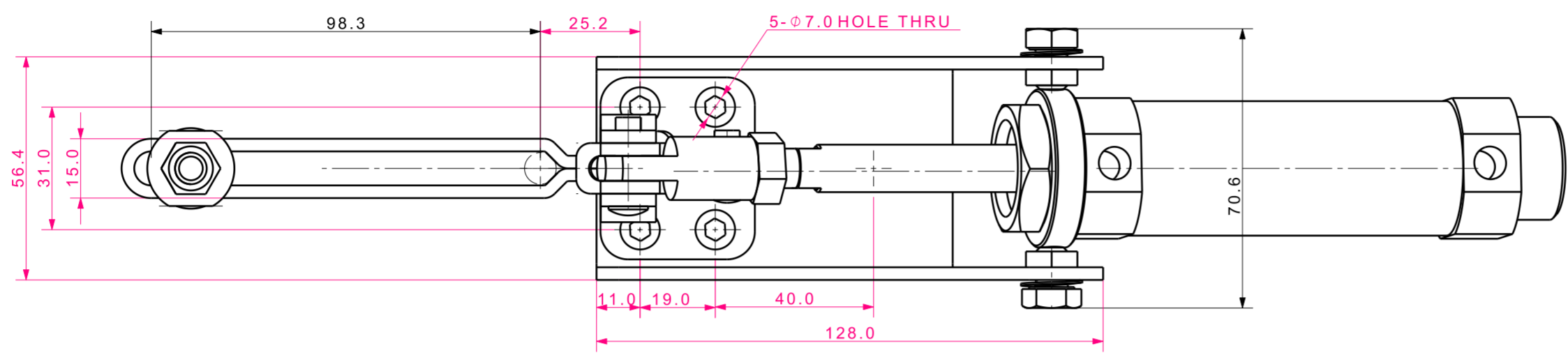
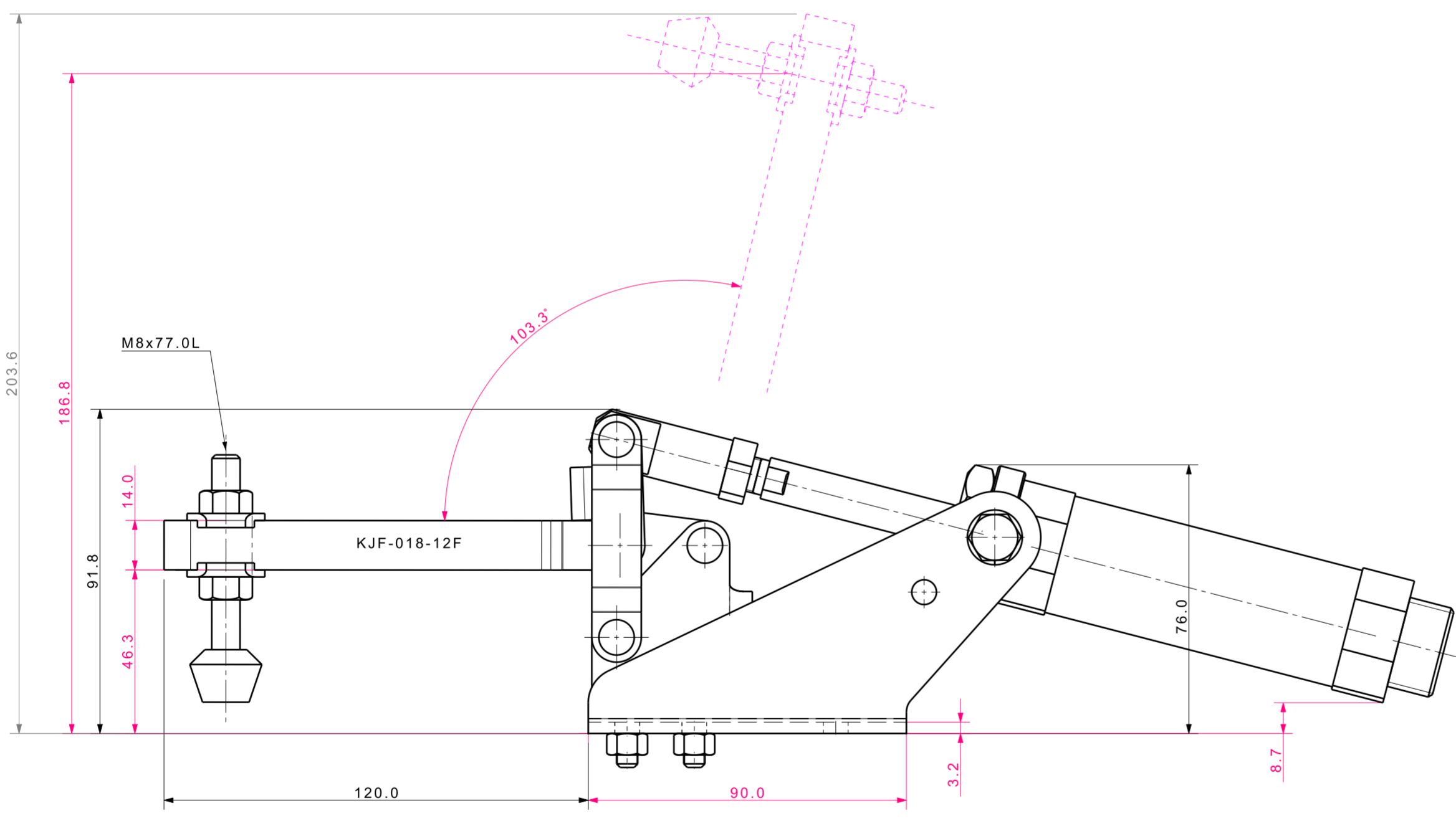


FILE NAME:

REVISIONS				
ZONE	LTR	DESCRIPTION	DATE	APPROVED




Isometric view (1:2)



Holding Capacity(Kg)	180	Spindle Adjust(mm)	81
Weight(g)	1170	Air Port Size	PT1/8
Arm Move	103°	Cylinder Size	φ32X50(ST)

UNLESS OTHERWISE SPECIFIED	SIGNATURES	MO-DA-YR
DIMENSIONS ARE IN MM	DRAWN ---	00-00-00
ALL SURFACES 6.3s	CHECKED	
TOLERANCES	APPROVED	
ANGLE		
.X		
.X		
.XX		
FINISH	WORK ORDER NO	
HEAT TREAT		

DET.NO	NAME	Q'TY	MAT'L	FINAL SIZES & PART No	REMARK



(주)케이제이에프
TOTAL CLAMPING SYSTEMS

TOGGLE CLAMP
(AIR TYPE)

REF DWG NO.	DWG NO	
-	KJF-AR-1182	A2
SCALE	TOOL <input type="checkbox"/> PART <input type="checkbox"/> SHEET <input type="checkbox"/>	OF