
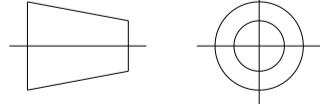


5- $\varnothing$ 11.0 HOLE THRU

FILE NAME:

Holding Capacity(Kg)	1000	Spindle Adjust(mm)	N/A
Weight(g)	4820	Air Port Size	PT3/8
Arm Move	69.1"	Cylinder Size	$\varnothing$ 63X100(ST)

UNLESS OTHERWISE SPECIFIED		SIGNATURES		MO-DA-YR		 <b>(주)케이제이에프</b> TOTAL CLAMPING SYSTEMS			
DIMENSIONS ARE IN MM		DRAWN				TITLE			
ALL SURFACES		CHECKED				<b>AIR-TOGGLE CLAMP</b>			
TOLERANCES		APPROVED				REF DWG NO.			
ANGLE	$\pm$			DWG NO		A1			
X	$\pm$			-		KJF-AR-703			
X	$\pm$			WORK ORDER NO		SCALE		TOOL <input type="checkbox"/> PART <input type="checkbox"/> SHEET <input type="checkbox"/> OF	
XX	$\pm$								
FINISH									
HEAT TREAT									