

4

3

2

1

F

F

E

E

D

D

C

C

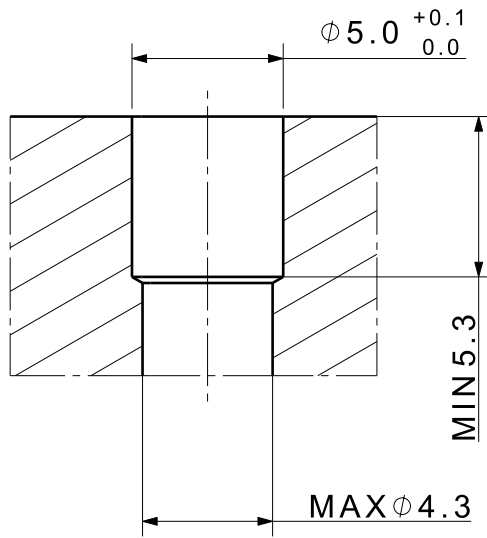
B

B

A

A

REVISIONS				
ZONE	LTR	DESCRIPTION	DATE	APPROVED



<MOUNTING>

DET.NO	NAME	Q'TY	MAT'L	FINAL SIZES & PART No	REMARK
UNLESS OTHERWISE SPECIFIED		SIGNATURES		MO-DA-YR	
DIMENSIONS ARE IN MM		DRAWN	JANG	05-08-26	
ALL SURFACES 6.3s		CHECKED	Y.S.J	05-08-26	
TOLERANCES		APPROVED	OK Y.S	05-08-26	
ANGLE					
.X ±					
.XX ± 0.15					
FINISH		WORK ORDER NO		REF DWG NO.	DWG NO
---		---		--	KSP-500
HEAT TREAT		---		SCALE	TOOL <input type="checkbox"/> PART <input type="checkbox"/> SHEET OF
---		---			



EXPANDER

KSP-500

A4

4

3

2

1