

4

3

2

1

F

F

E

E

D

D

C

C

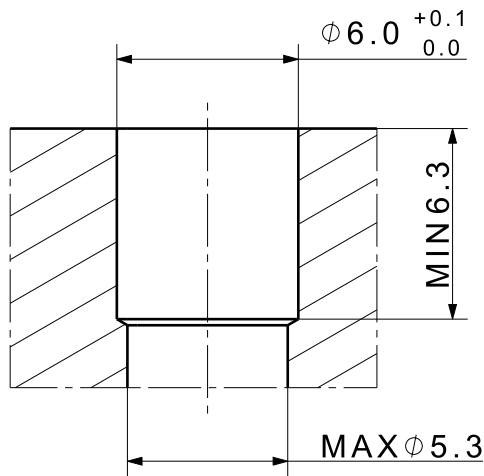
B

B

A

A

REVISIONS				
ZONE	LTR	DESCRIPTION	DATE	APPROVED



<MOUNTING>

DET.NO	NAME	Q'TY	MAT'L	FINAL SIZES & PART No	REMARK
UNLESS OTHERWISE SPECIFIED		SIGNATURES		MO-DA-YR	
DIMENSIONS ARE IN MM		DRAWN JANG		05-08-26	
ALL SURFACES 6.3s		CHECKED Y.S.J		05-08-26	
TOLERANCES		APPROVED OK Y.S		05-08-26	
ANGLE					
.X ±					
.X ± 0.15					
.XX ±					
FINISH		WORK ORDER NO		REF DWG NO.	
---				--	
HEAT TREAT				DWG NO	
---				KSP-600	
				A4	
		SCALE /		TOOL <input type="checkbox"/> PART <input type="checkbox"/> SHEET OF	



EXPANDER

KSP-600

A4

4

3

2

1