

4

3

2

1

F

F

E

E

D

D

C

C

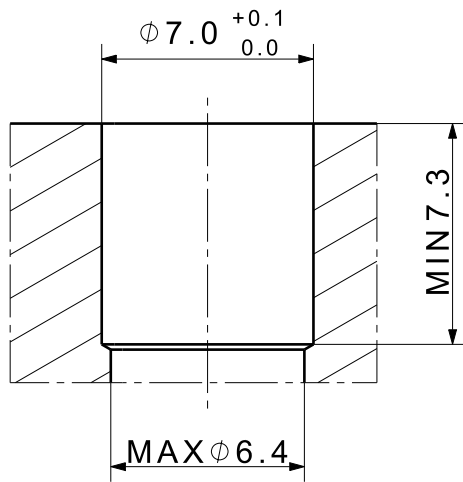
B

B

A

A

REVISIONS				
ZONE	LTR	DESCRIPTION	DATE	APPROVED



<MOUNTING>

UNLESS OTHERWISE SPECIFIED	SIGNATURES	MO-DA-YR	KJF (주)케이제이에프 TOTAL CLAMPING SYSTEMS			
DIMENSIONS ARE IN MM	DRAWN JANG	05-08-26	TITLE EXPANDER			
ALL SURFACES 6.3s	CHECKED Y.S.J	05-08-26				
TOLERANCES	APPROVED OK Y.S	05-08-26				
ANGLE			REF DWG NO. --			
.X ±					DWG NO KSP-700	
.X ± 0.15						
.XX ±	SCALE /					
FINISH ---			WORK ORDER NO		TOOL <input type="checkbox"/> PART <input type="checkbox"/> SHEET OF	
HEAT TREAT ---						

4

3

2

1