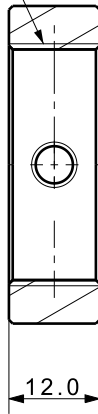


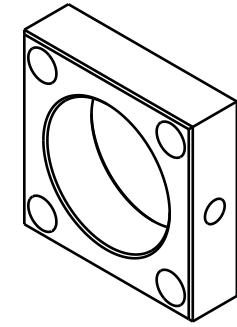
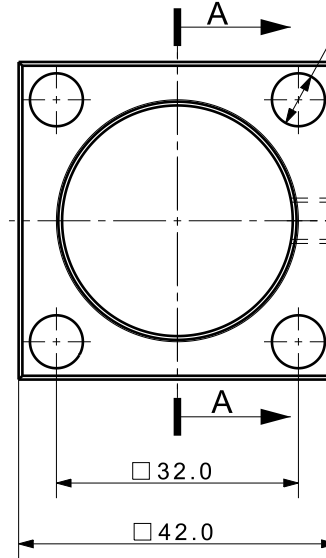
FILE NAME:

M32x1.5P THD.




Section view A-A (1:1)

4- $\phi$ 7.0 THRU



Isometric view (3:4)

UNLESS OTHERWISE SPECIFIED DIMENSIONS ARE IN MM ALL SURFACES TOLERANCES ANGLE           ± X                 ± .X                ± .XX              ±	SIGNATURES	MO-DA-YR	 (주)케이제이에프 TOTAL CLAMPING SYSTEMS			
	DRAWN					
	FINISH	WORK ORDER NO	REF DWG NO.	DWG NO	A4	
HEAT TREAT		---	MBS-3212			
		SCALE	TOOL	PART	SHEET	OF