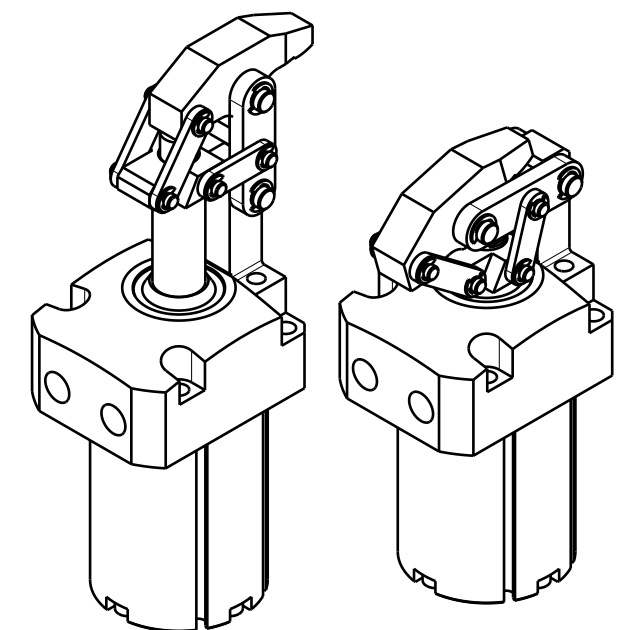
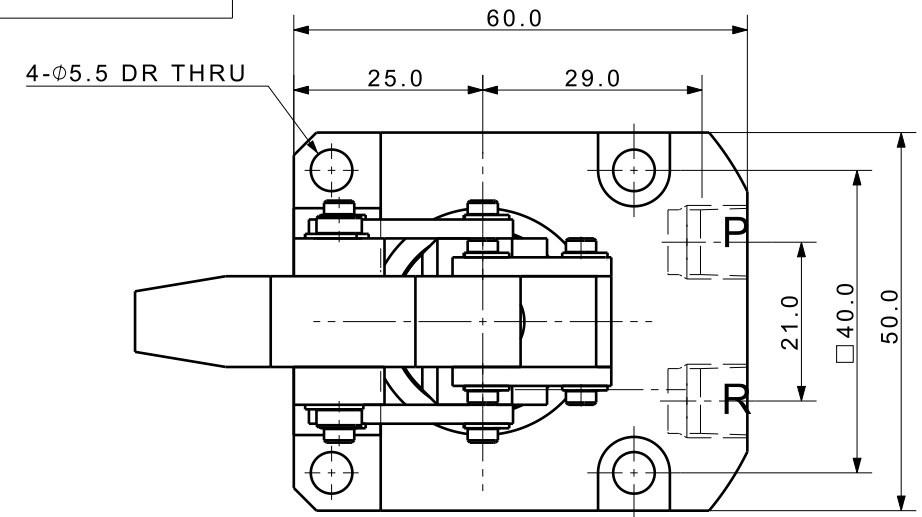


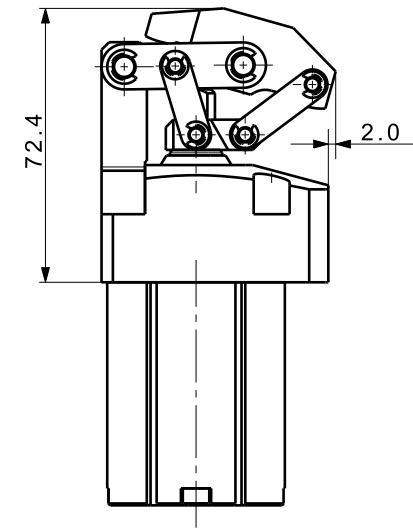
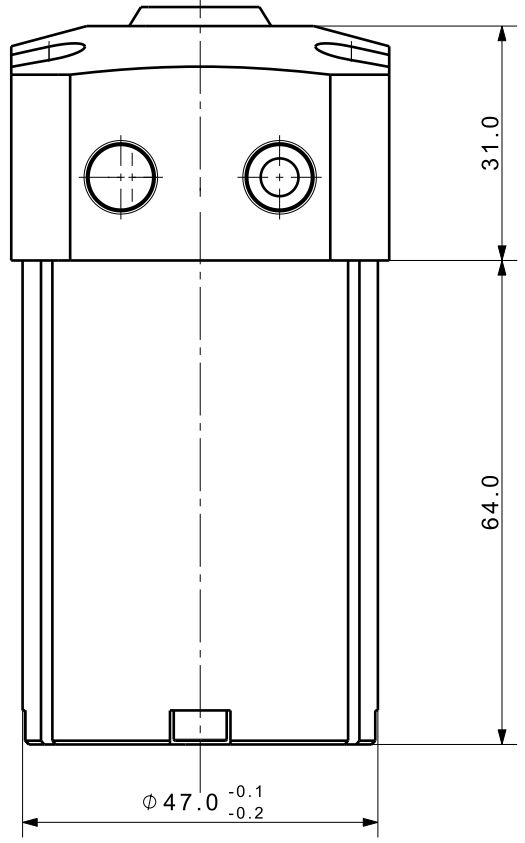
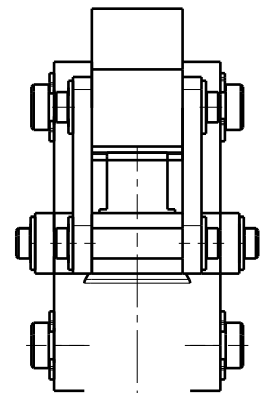
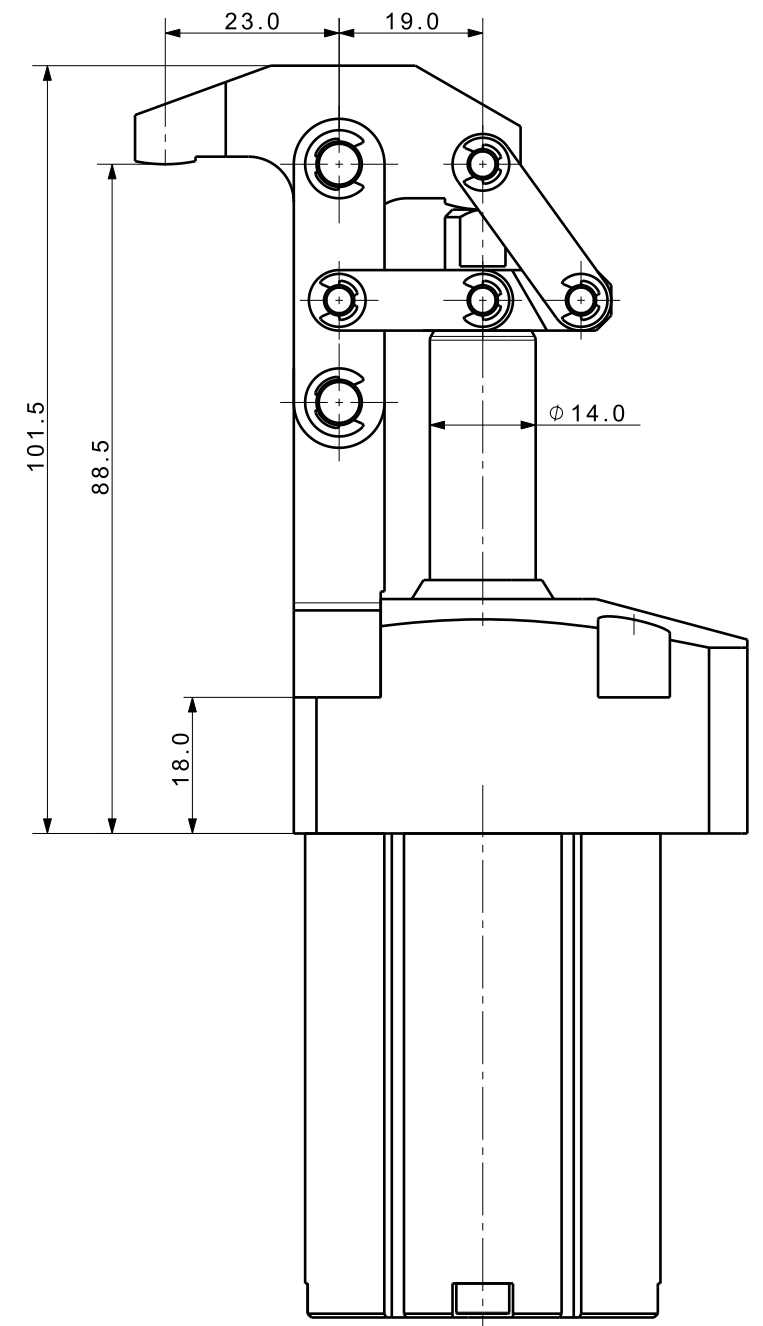
FILE NAME:

REVISIONS

ZONE	LTR	DESCRIPTION	DATE	APPROVED
△				



Isometric view (1:2)



DET. NO	NAME	QTY	MATL	FINAL SIZES & PART No	REMARK

UNLESS OTHERWISE SPECIFIED	SIGNATURES	MO-DA-YR	
DIMENSIONS ARE IN MM	DRAWN		
ALL SURFACES 6.3S	CHECKED		
TOLERANCES	APPROVED		
ANGLE			TITLE
X ±			MULTI LINK CLAMP
.X ± 0.15			
.XX ±			REF DWG NO.
FINISH	WORK ORDER NO		DWG NO
HEAT TREAT			---
			MLC-2547AE
			A3
			SCALE
			TOOL <input type="checkbox"/> PART <input type="checkbox"/> SHEET <input type="checkbox"/> OF