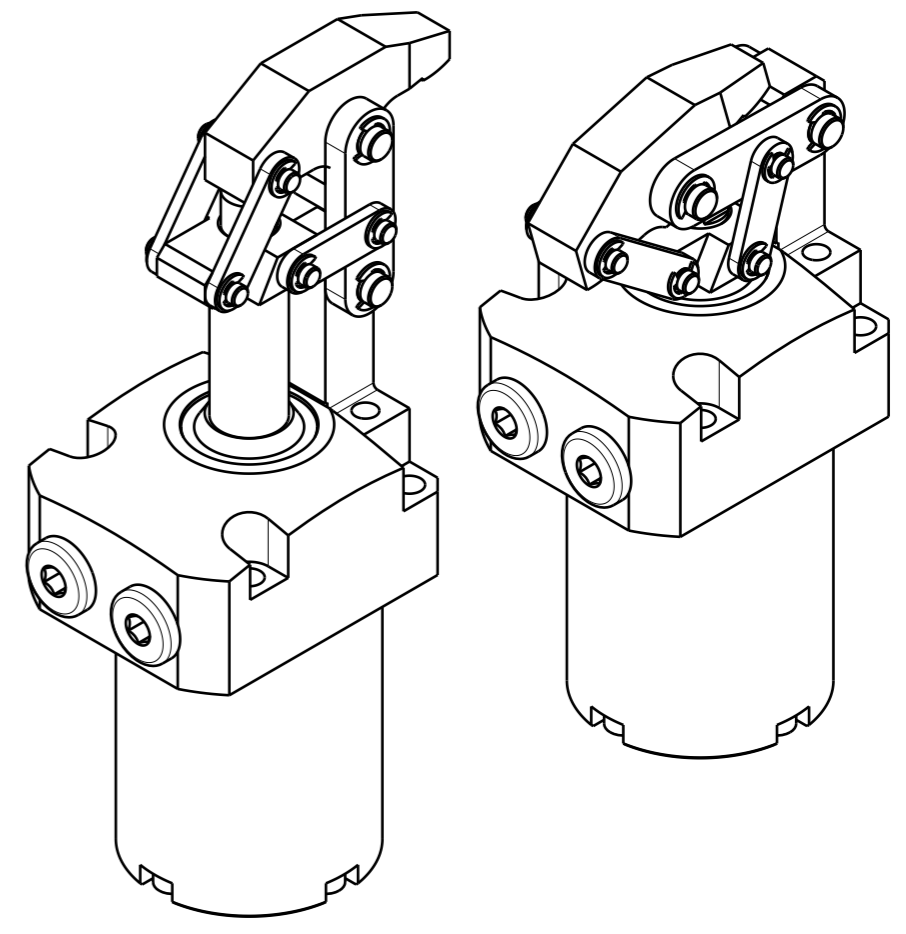
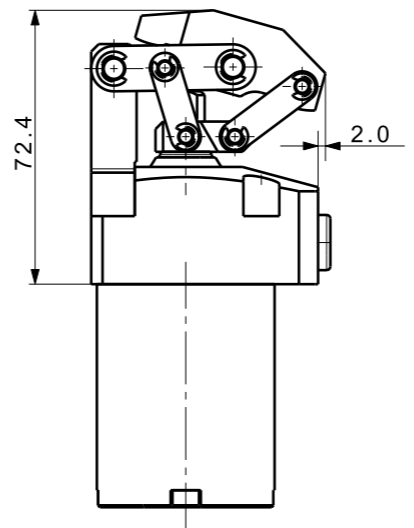
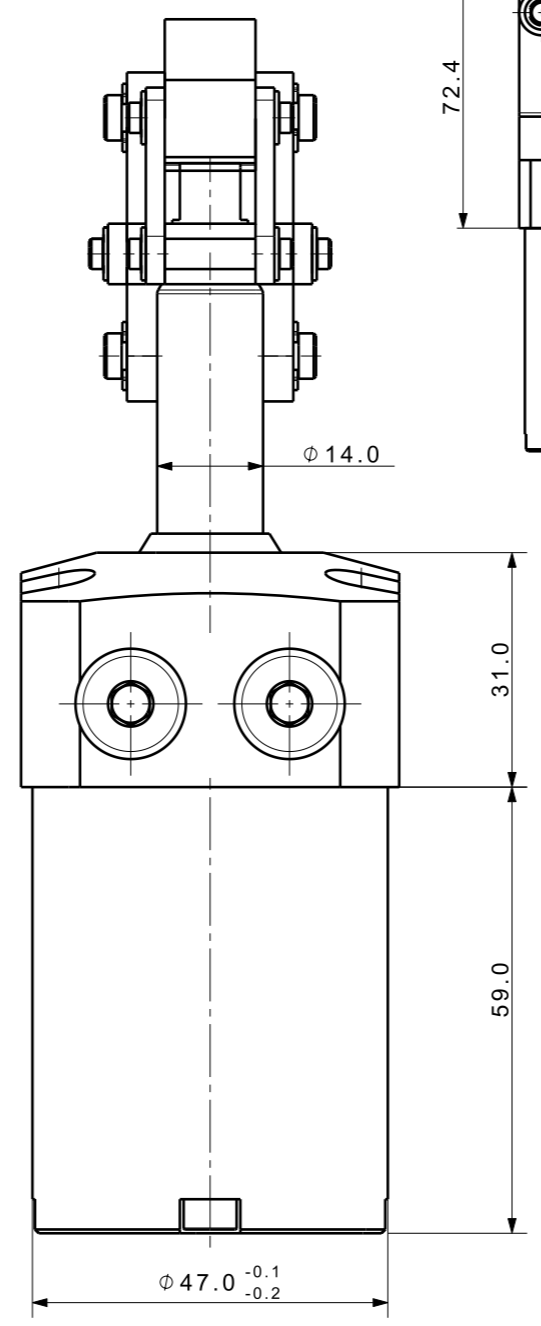
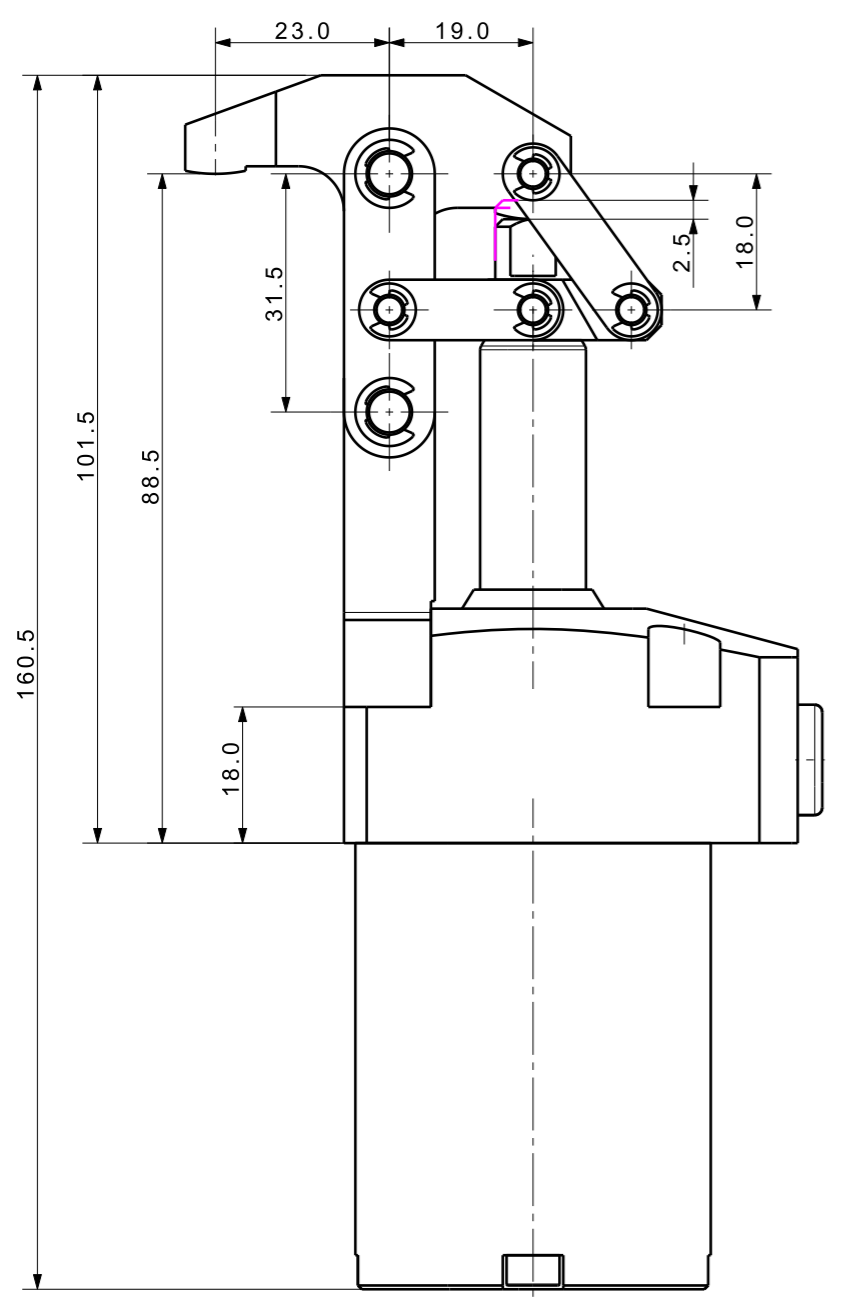
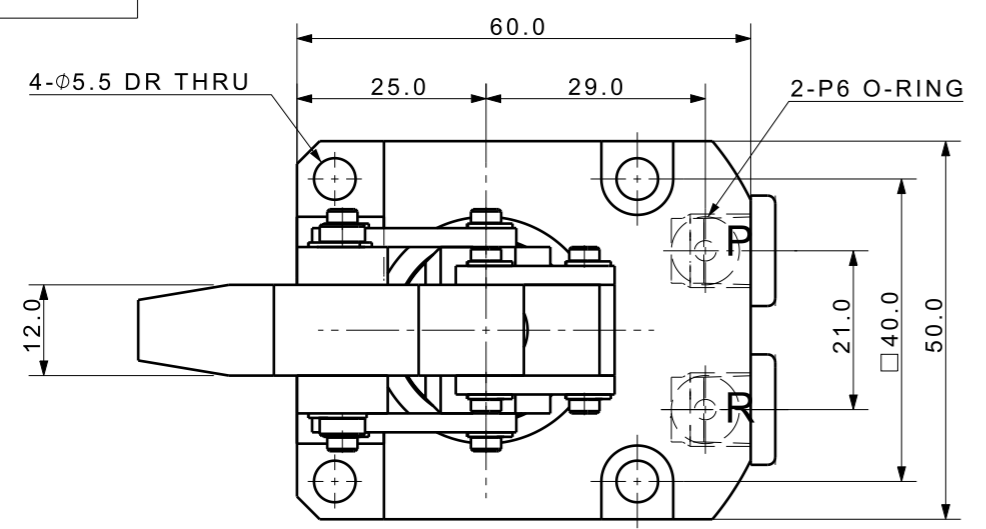


REVISIONS

ZONE	LTR	DESCRIPTION	DATE	APPROVED



Isometric view (3:4)

UNLESS OTHERWISE SPECIFIED
 DIMENSIONS ARE IN MM
 ALL SURFACES 6.3S
 TOLERANCES
 ANGLE ±
 .X ±
 .XX ± 0.15 ±

DET. NO	NAME	QTY	MATL	FINAL SIZES & PART No	REMARK
SIGNATURES		MO-DA-YR		TITLE	
DRAWN				MULTI LINK CLAMP	
CHECKED					
APPROVED					
FINISH		WORK ORDER NO		REF DWG NO.	DWG NO
HEAT TREAT				---	MLC-2547G
				SCALE	TOOL <input type="checkbox"/> PART <input type="checkbox"/> SHEET <input type="checkbox"/> OF



A3