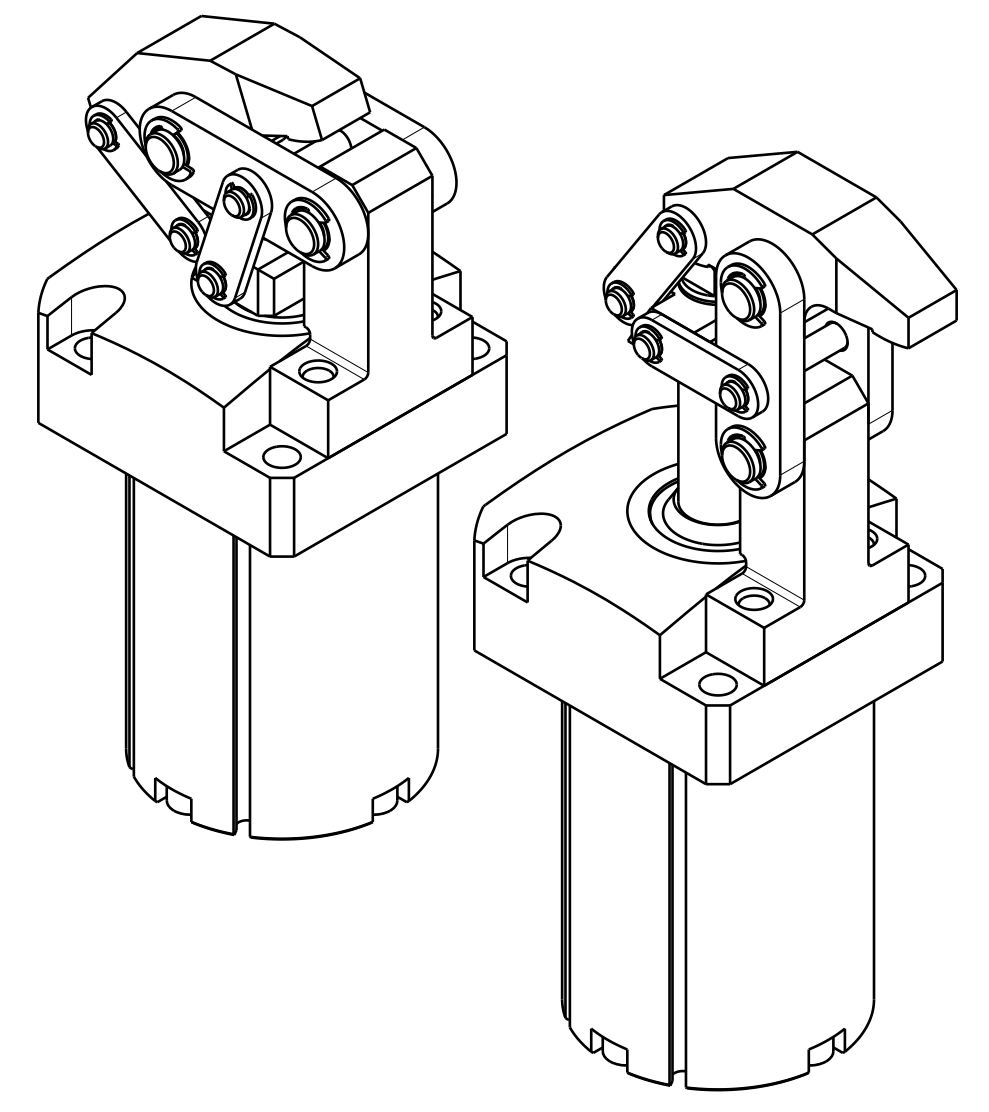
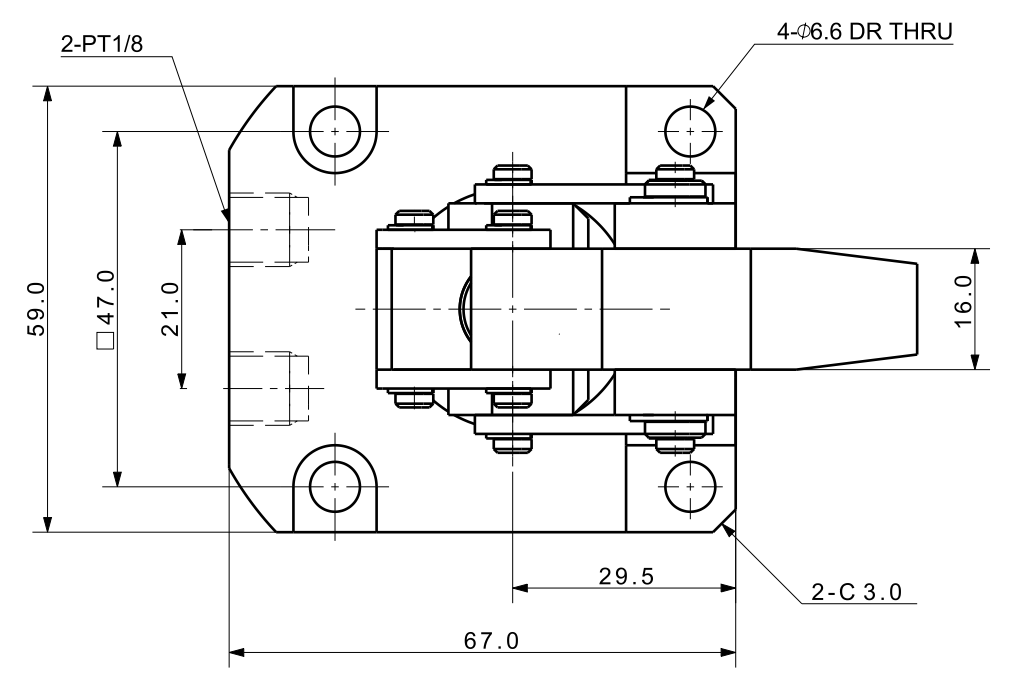
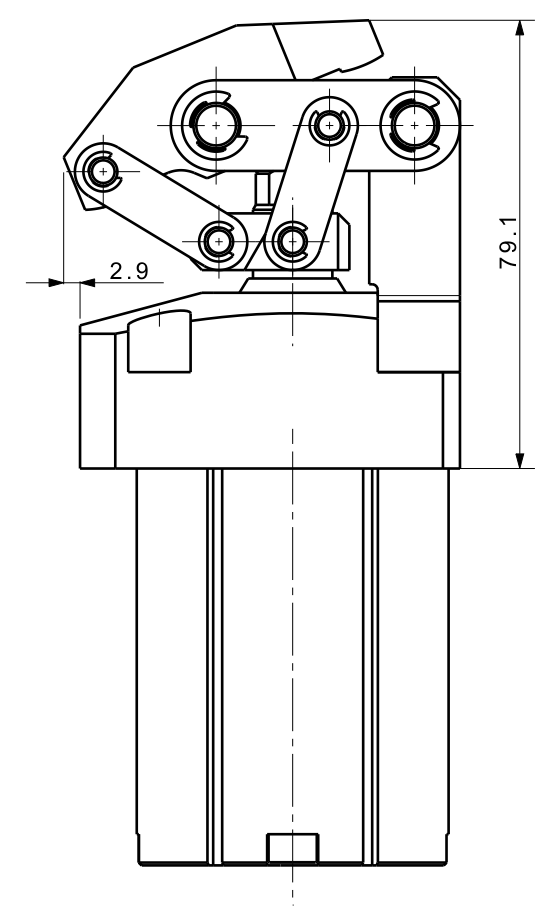
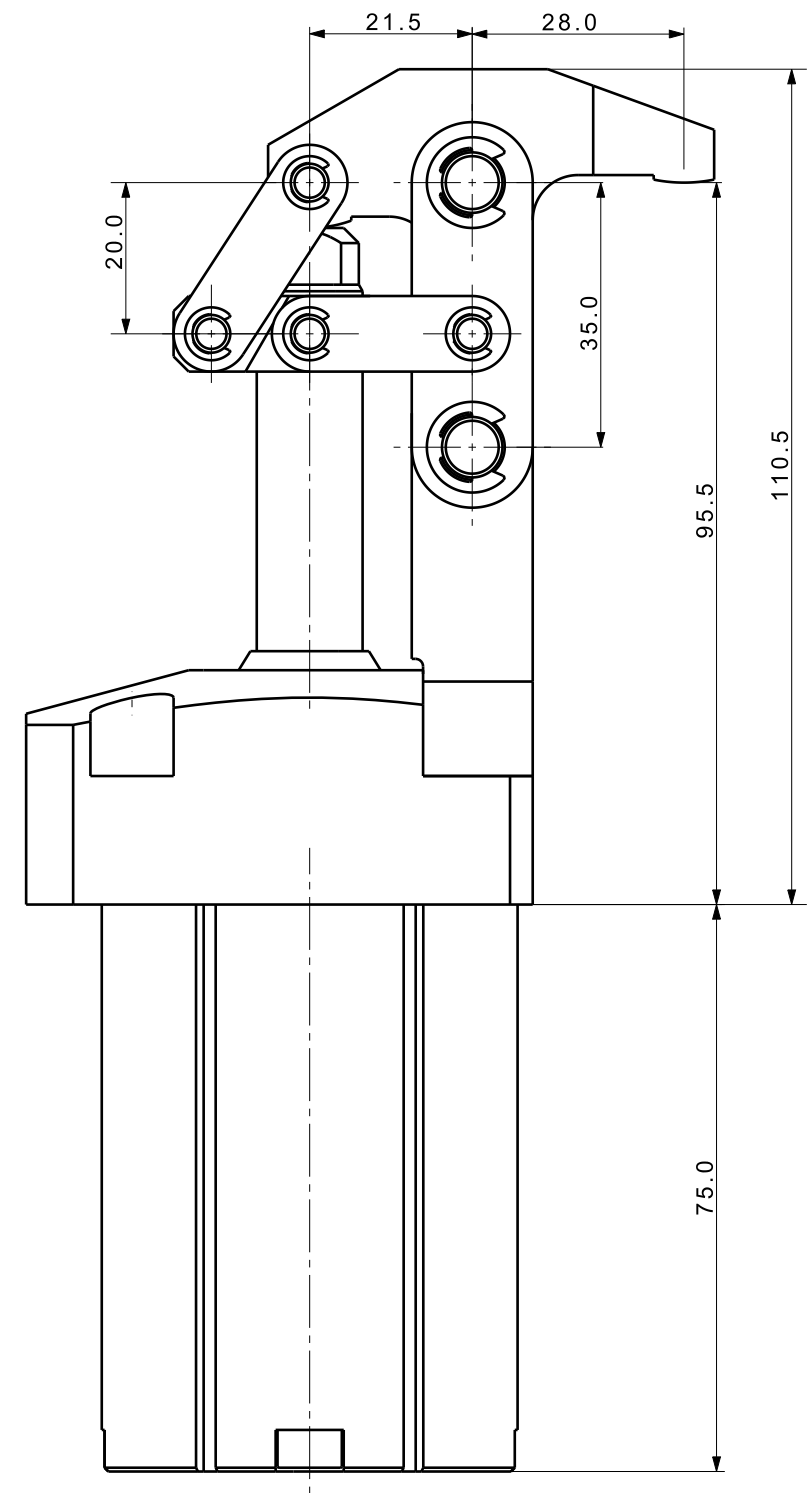
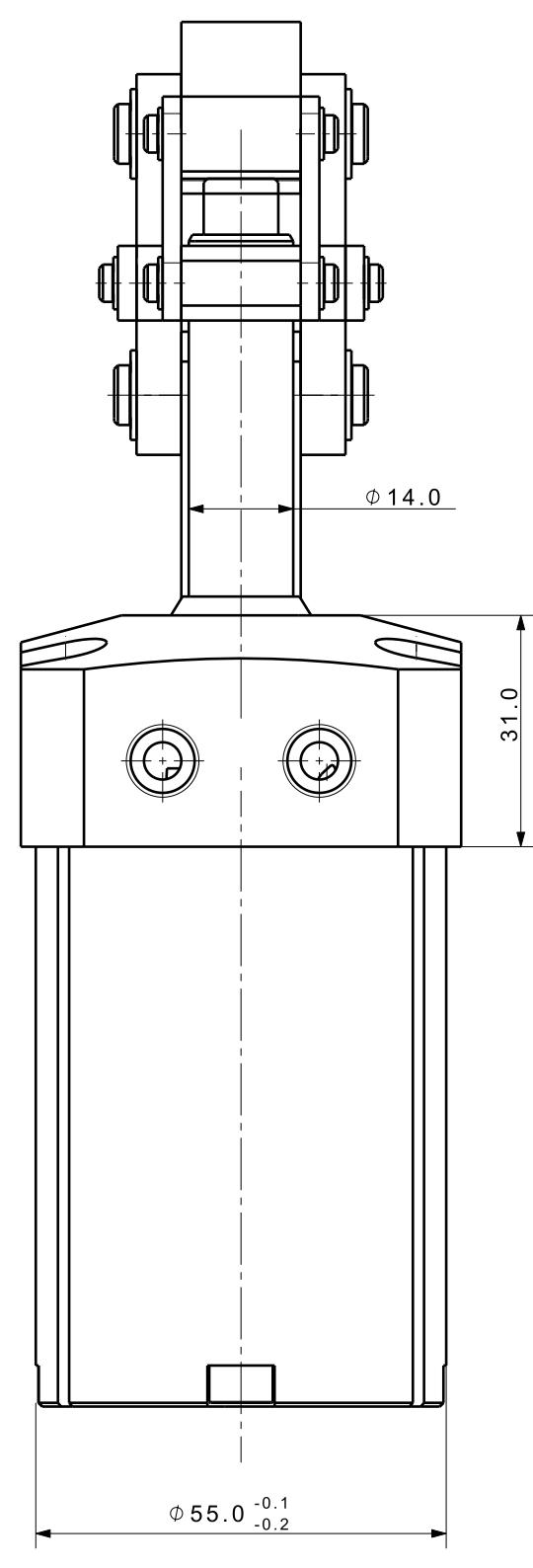


FILE NAME:

REVISIONS				
ZONE	LTR	DESCRIPTION	DATE	APPROVED



Isometric view (3:4)



DET. NO	NAME	QTY	MAT'L	FINAL SIZES & PART No	REMARK
UNLESS OTHERWISE SPECIFIED					
SIGNATURES		MO-DA-YR		 MULTI LINK CLAMP	
DRAWN					
CHECKED					
TOLERANCES		APPROVED		TITLE	
ANGLE					
.X		±			
.XX		± 0.15			
.XX		±			
FINISH		WORK ORDER NO		REF DWG NO.	DWG NO
HEAT TREAT				-	MLC-3255AE
				SCALE	TOOL <input type="checkbox"/> PART <input type="checkbox"/> SHEET <input type="checkbox"/> OF
					A2