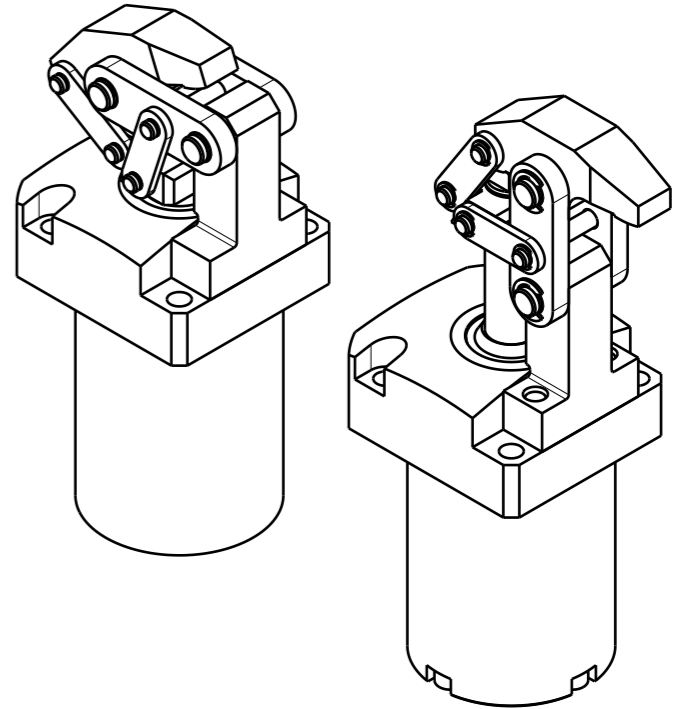
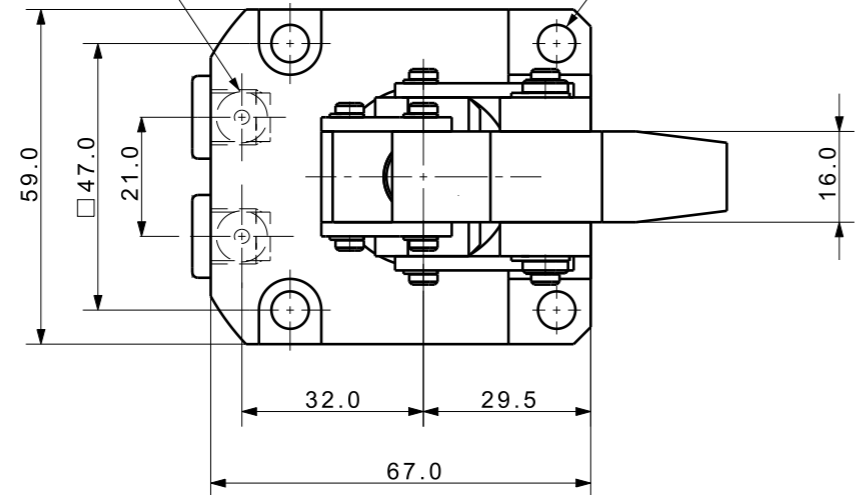


FILE NAME:

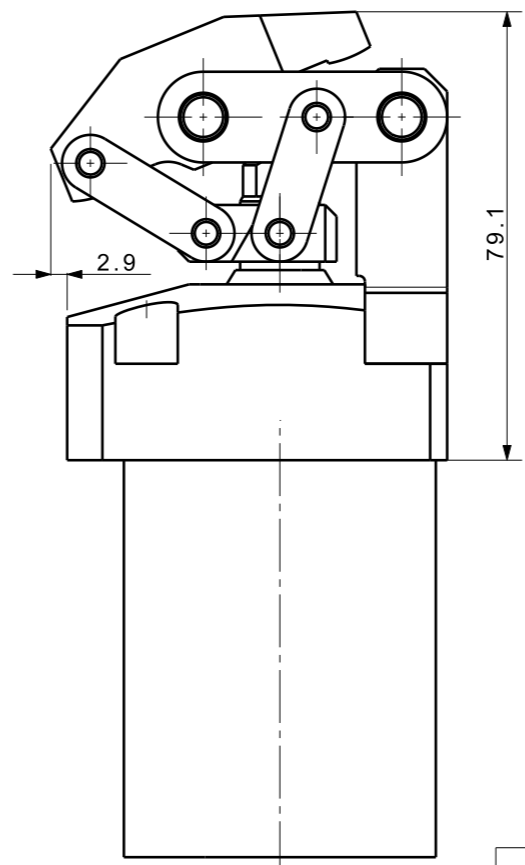
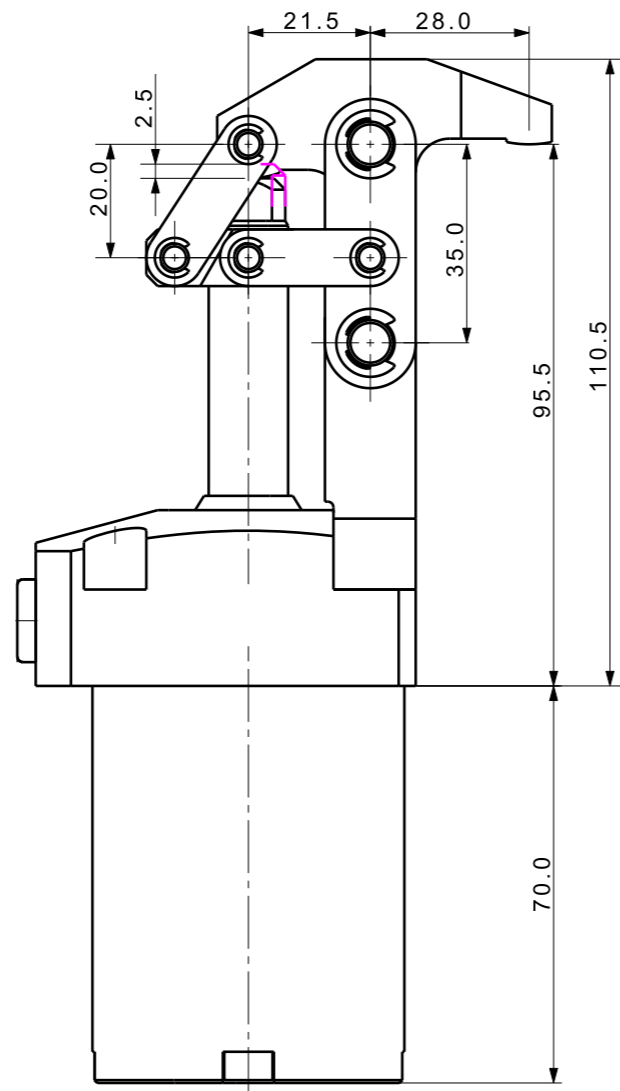
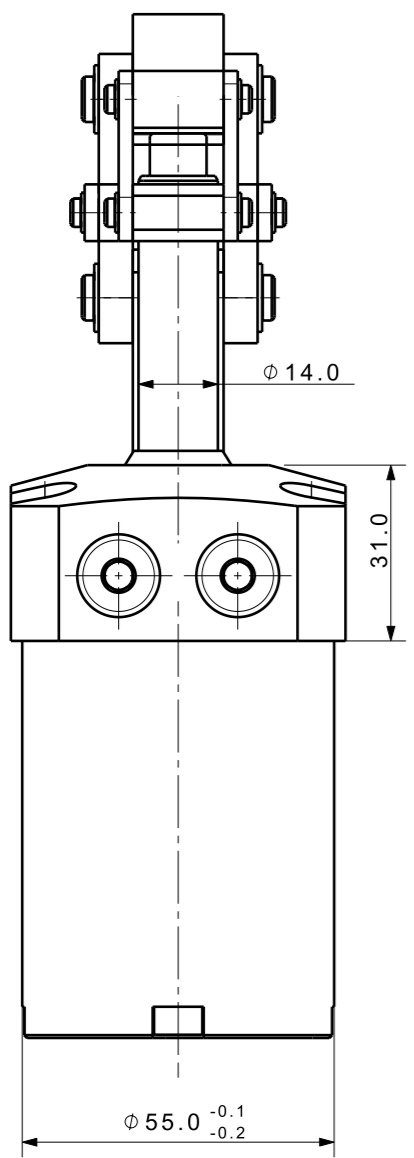
REVISIONS

ZONE	LTR	DESCRIPTION	DATE	APPROVED

P6-1B O-RING  
4-Ø6.6 DR THRU



Isometric view (1:2)



DET.NO	NAME	QTY	MAT'L	FINAL SIZES & PART No	REMARK

UNLESS OTHERWISE SPECIFIED	SIGNATURES	MO-DA-YR
DIMENSIONS ARE IN MM	DRAWN	
ALL SURFACES 6.3S	CHECKED	
TOLERANCES	APPROVED	
ANGLE ±		
X ±		
.X ± 0.15		
.XX ±		
FINISH	WORK ORDER NO	REF DWG NO.
HEAT TREAT		DWG NO.



MULTI LINK CLAMP

---	MLC-3255G	A3
SCALE	TOOL <input type="checkbox"/> PART <input type="checkbox"/> SHEET	OF