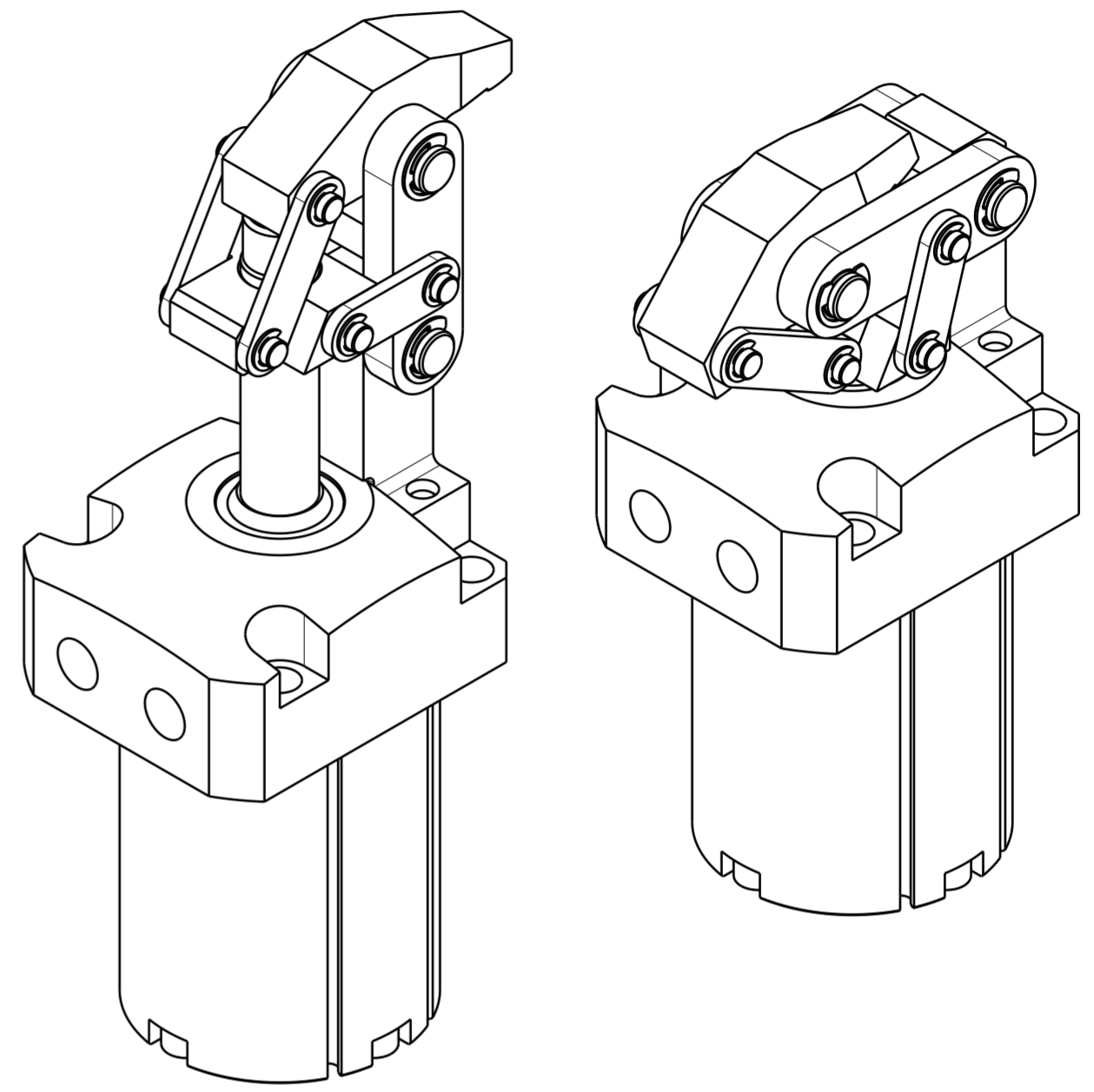
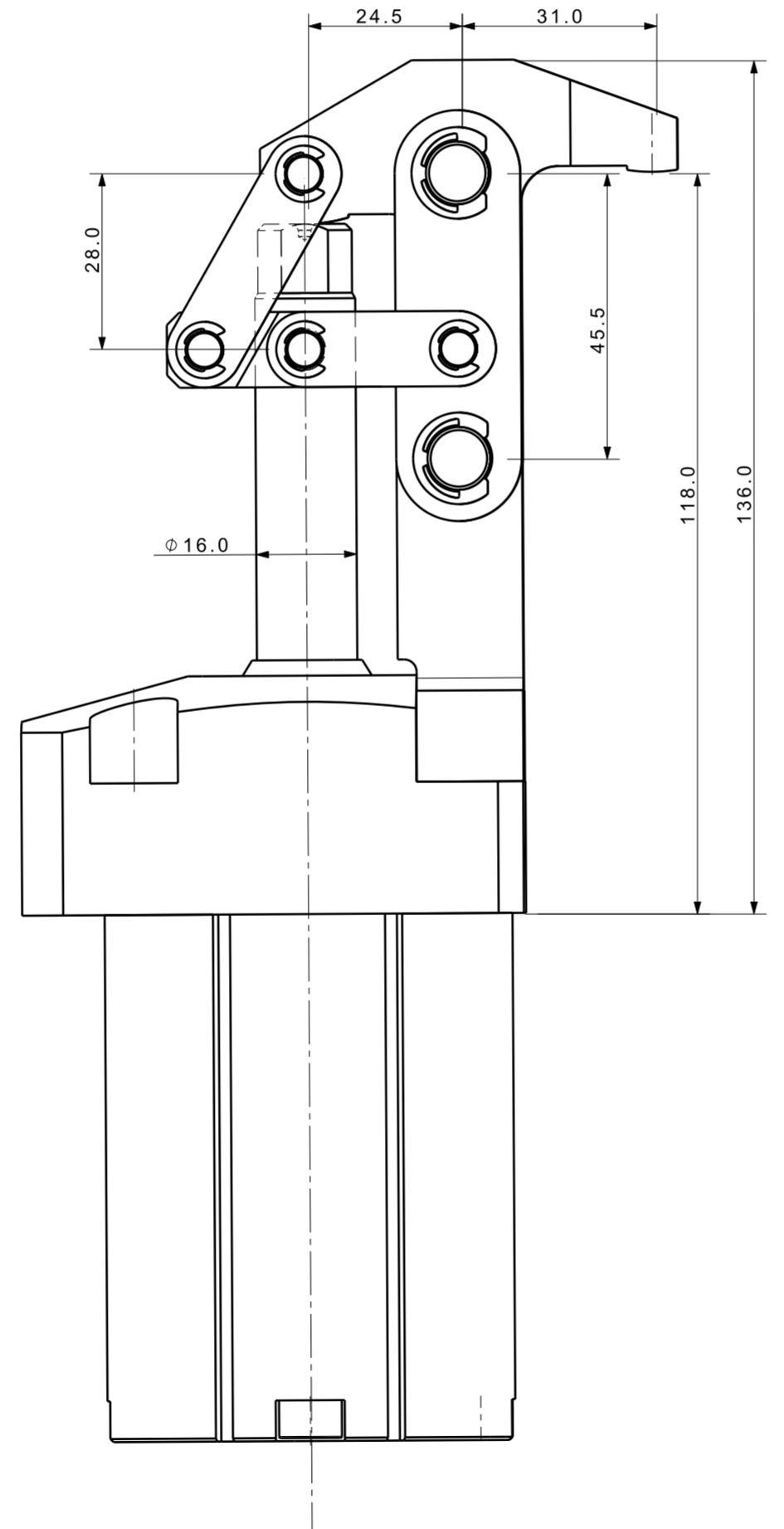
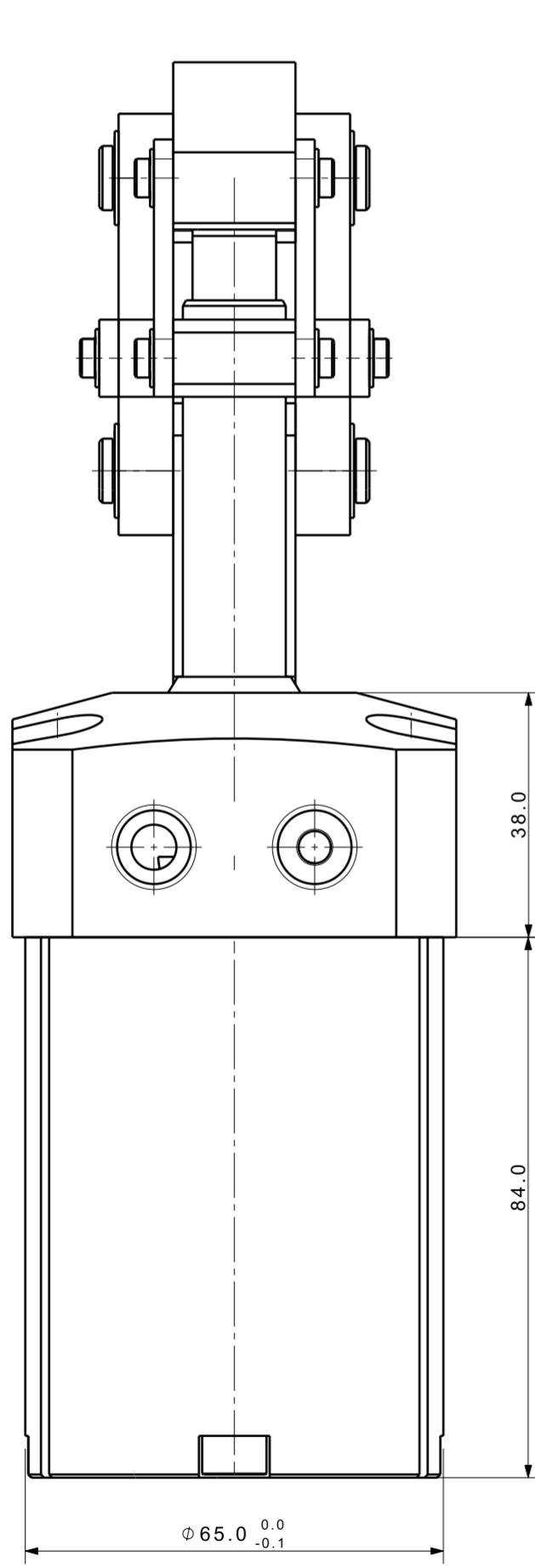
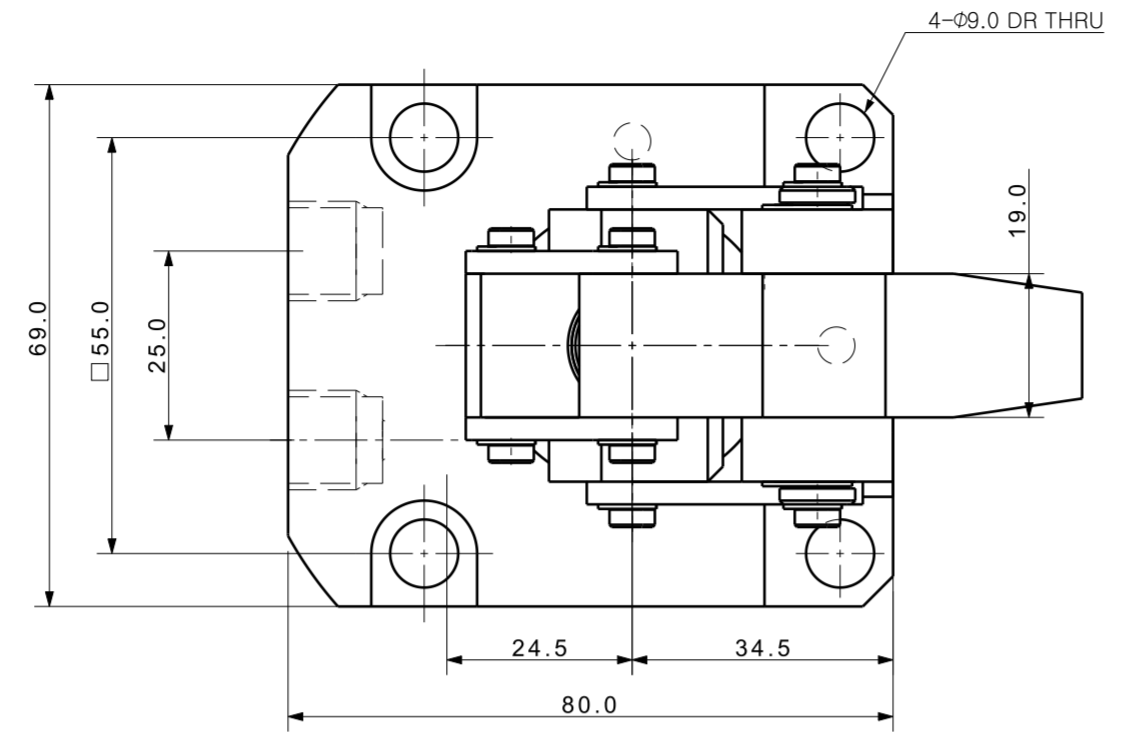


FILE NAME:

REVISIONS				
ZONE	LTR	DESCRIPTION	DATE	APPROVED



Isometric view (3:4)

DET. NO	NAME	Q'TY	MAT'L	FINAL SIZES & PART No	REMARK
UNLESS OTHERWISE SPECIFIED		SIGNATURES		MO-DA-YR	
DIMENSIONS ARE IN MM		DRAWN ---		00-00-00	
ALL SURFACES 6.3s		CHECKED		TITLE	
TOLERANCES		APPROVED		 <b>MULTI LINK CLAMP (AIR TYPE)</b>	
ANGLE					
X. ±		WORK ORDER NO		REF DWG NO.	
.X ± 0.15				DWG NO	
.XX ±				MLC-4065AE	
FINISH				A2	
HEAT TREAT				SCALE / TOOL <input type="checkbox"/> PART <input type="checkbox"/> SHEET <input type="checkbox"/> OF	