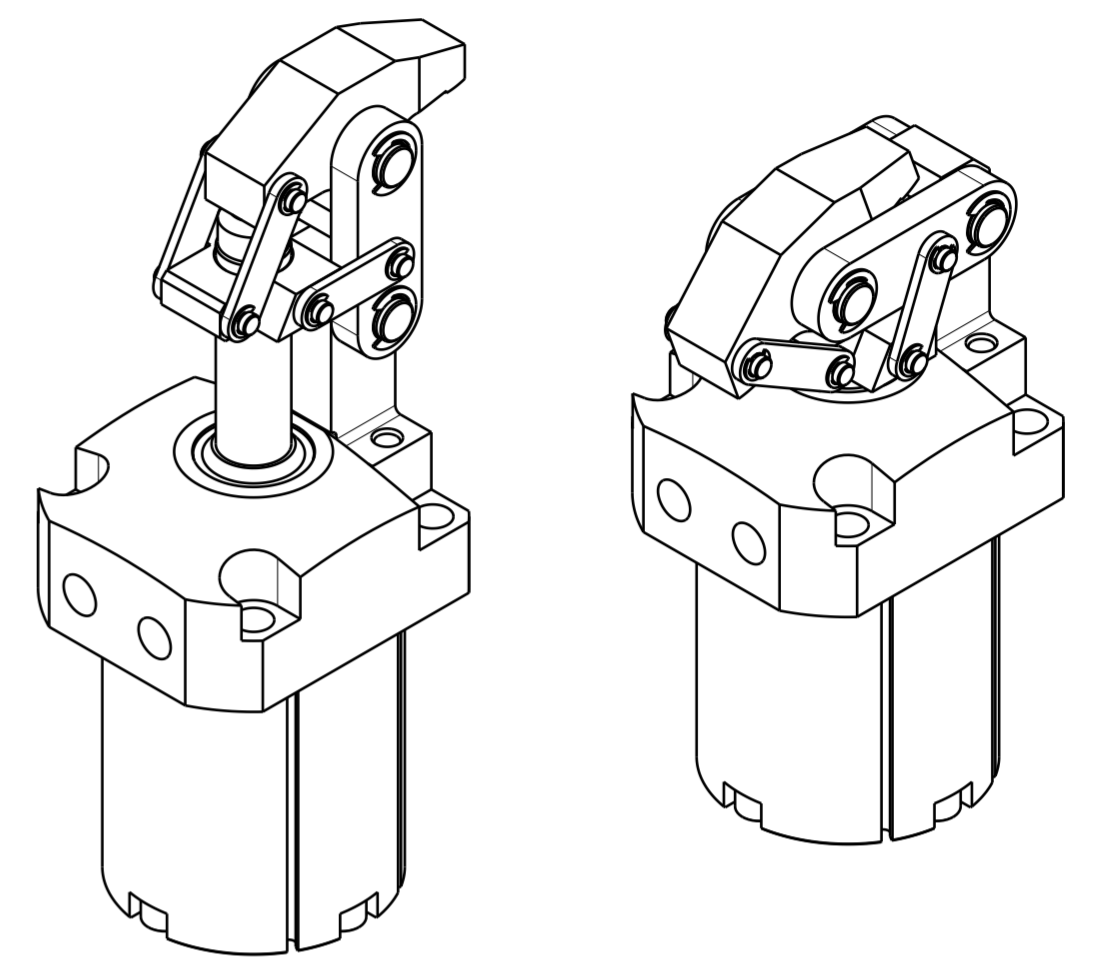
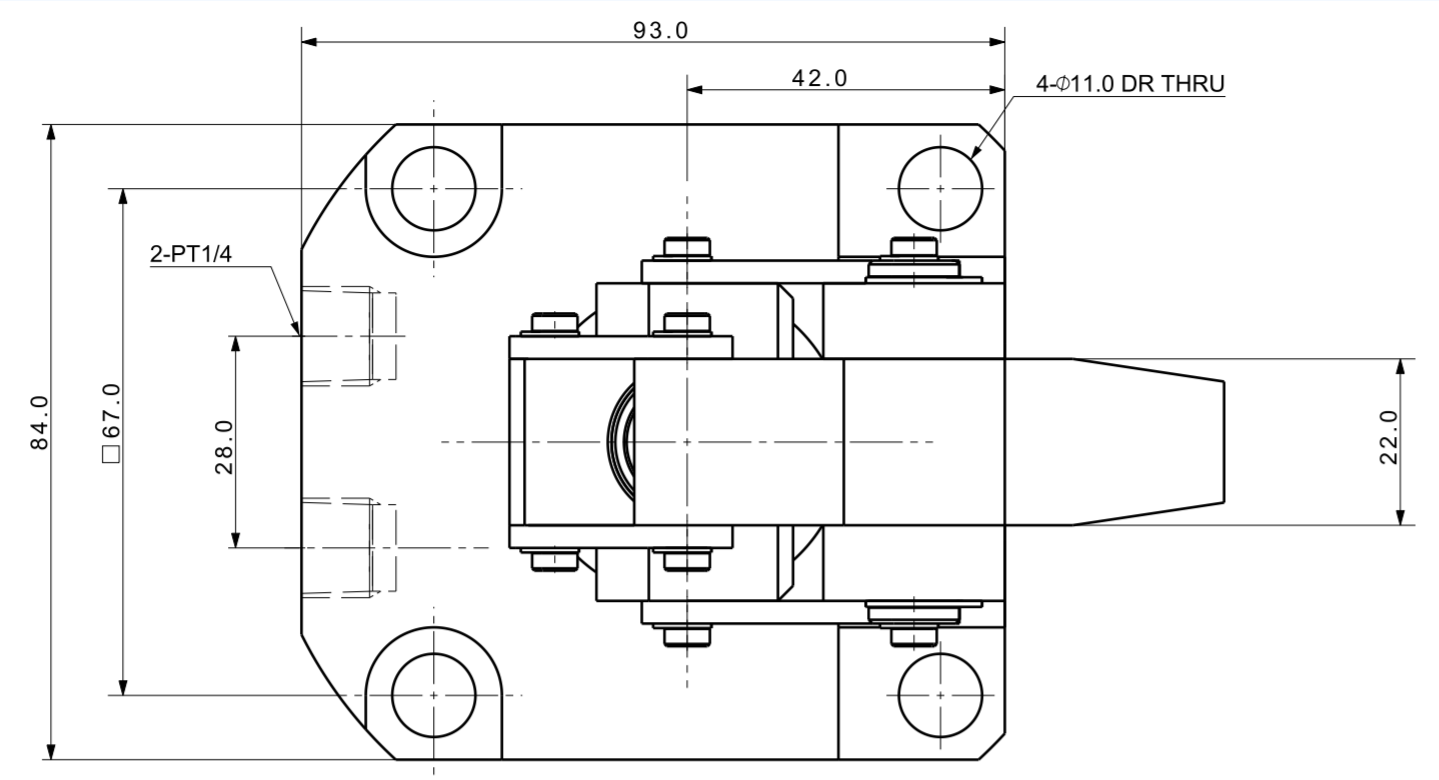
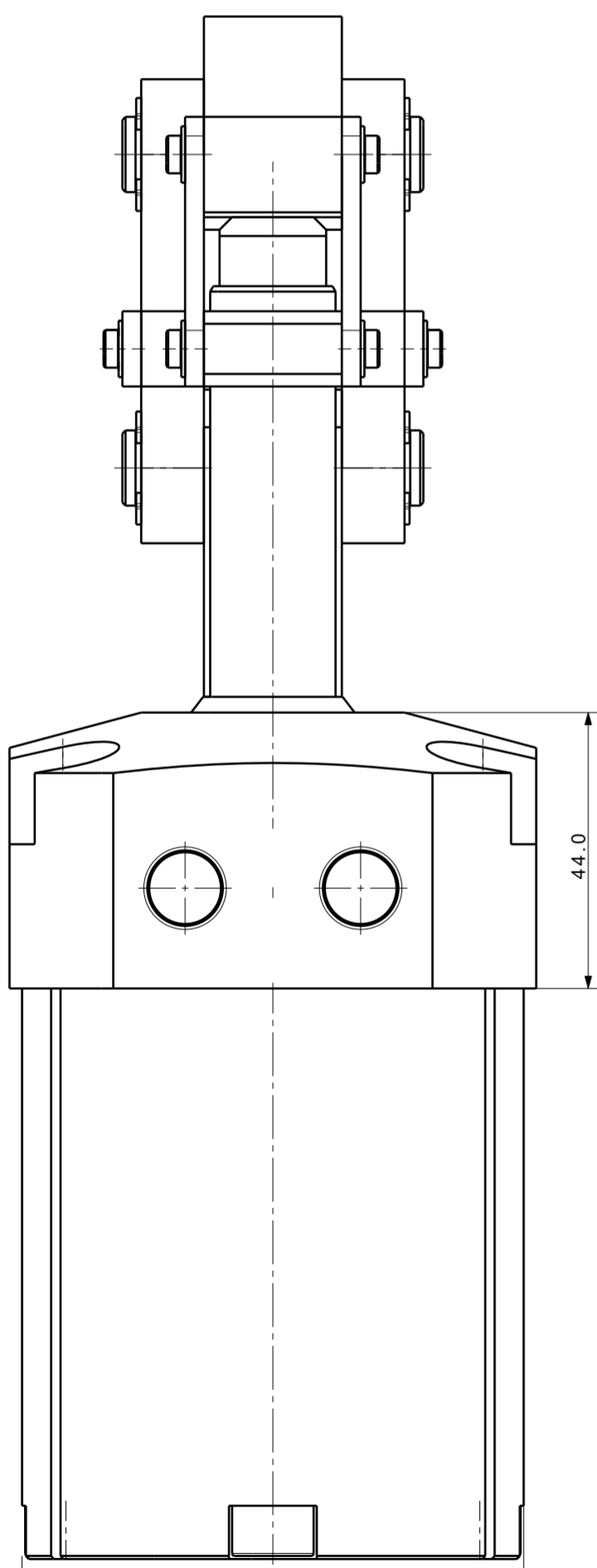
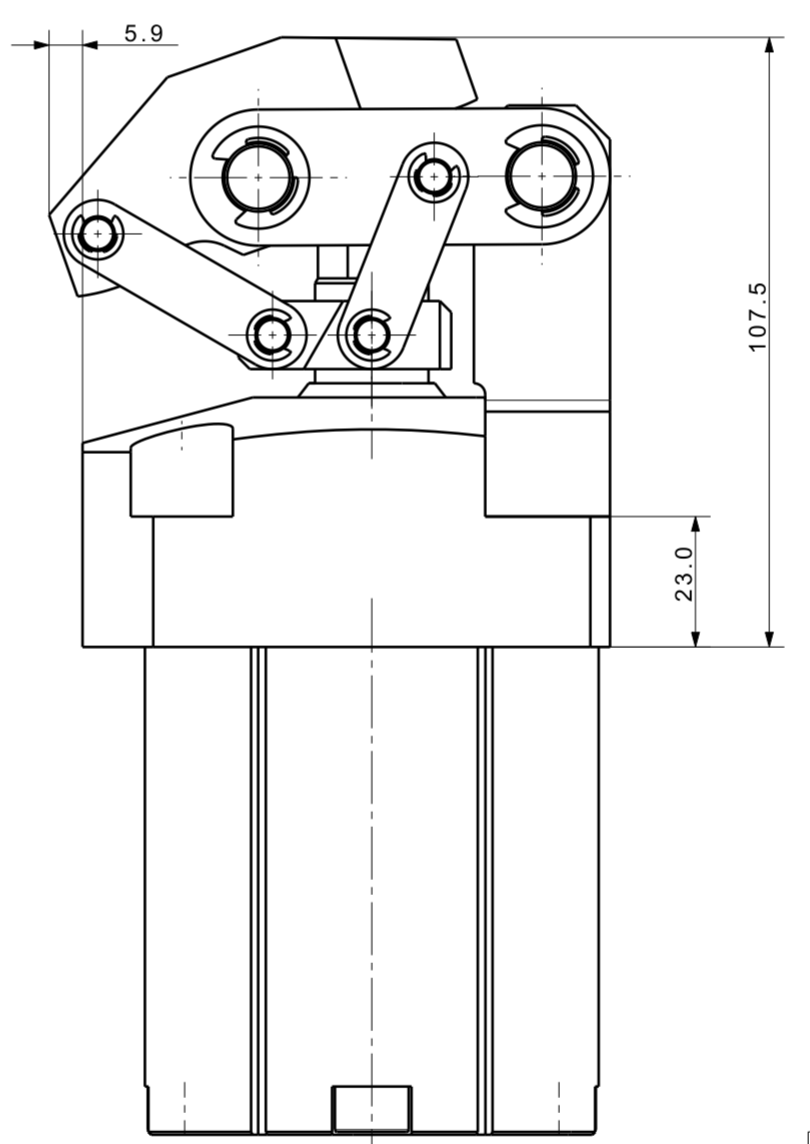
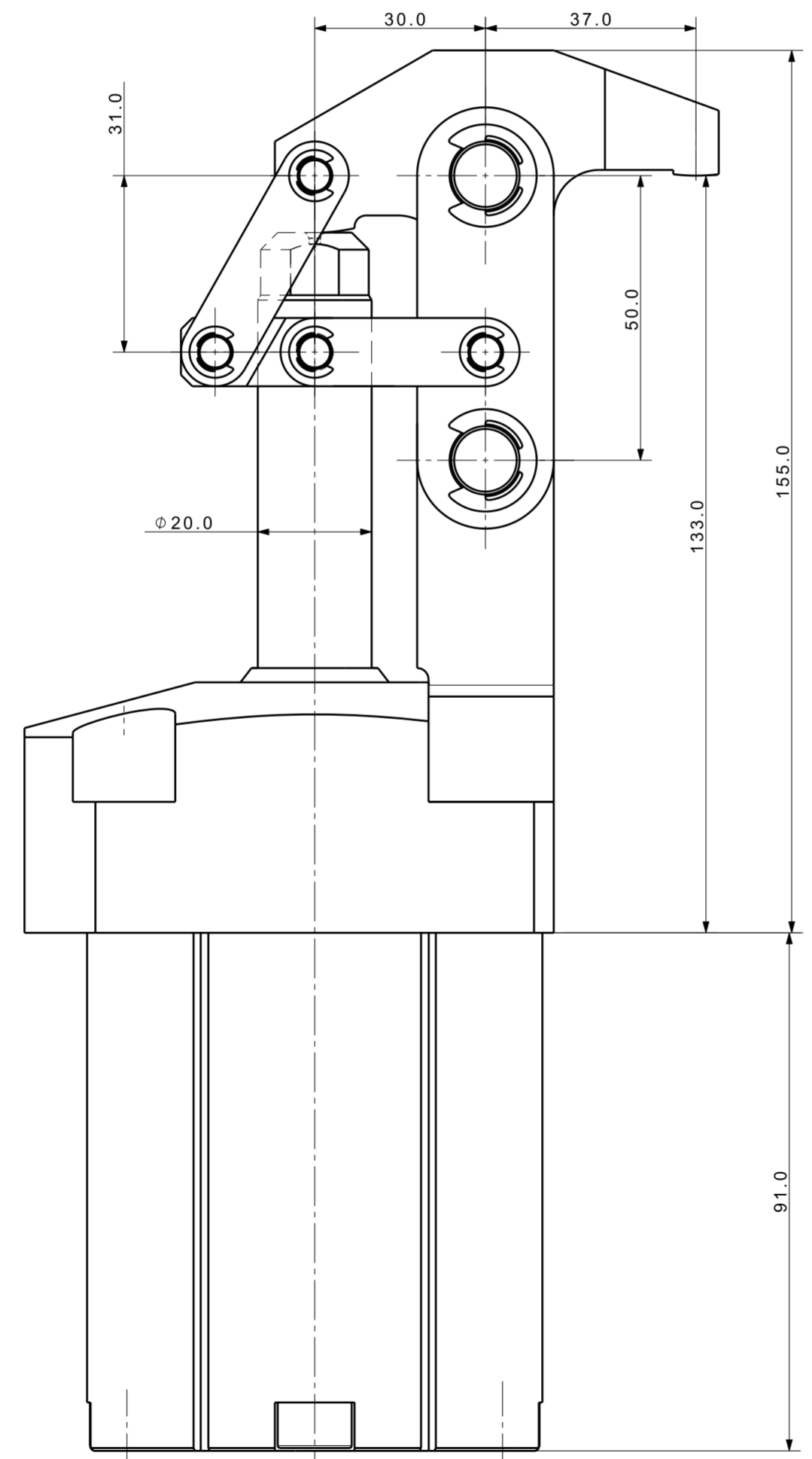


FILE NAME:

REVISIONS				
ZONE	LTR	DESCRIPTION	DATE	APPROVED



Isometric view (1:2)



DET. NO	NAME	QTY	MAT'L	FINAL SIZES & PART No	REMARK
UNLESS OTHERWISE SPECIFIED		SIGNATURES		MO-DA-YR	
DIMENSIONS ARE IN MM		DRAWN			
ALL SURFACES 6.3s		CHECKED		TITLE	
TOLERANCES		APPROVED			
ANGLE					
.X ±					
.XX ± 0.15					
.XX ±					
FINISH		WORK ORDER NO		REF DWG NO.	
HEAT TREAT				DWG NO	
				MLC-5080AE	
				A2	
		SCALE		TOOL <input type="checkbox"/> PART <input type="checkbox"/> SHEET <input type="checkbox"/> OF	



MULTI LINK CLAMP