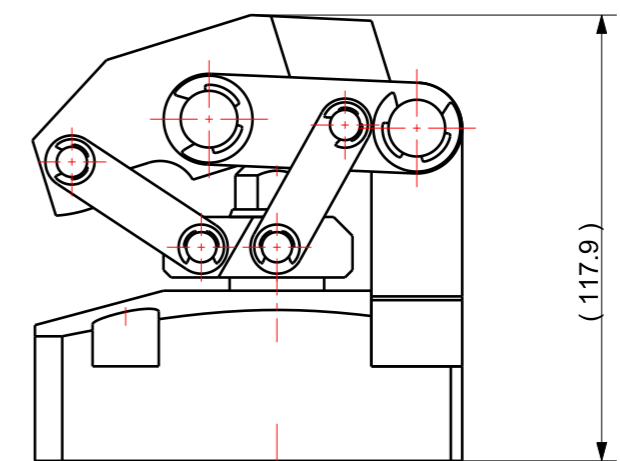
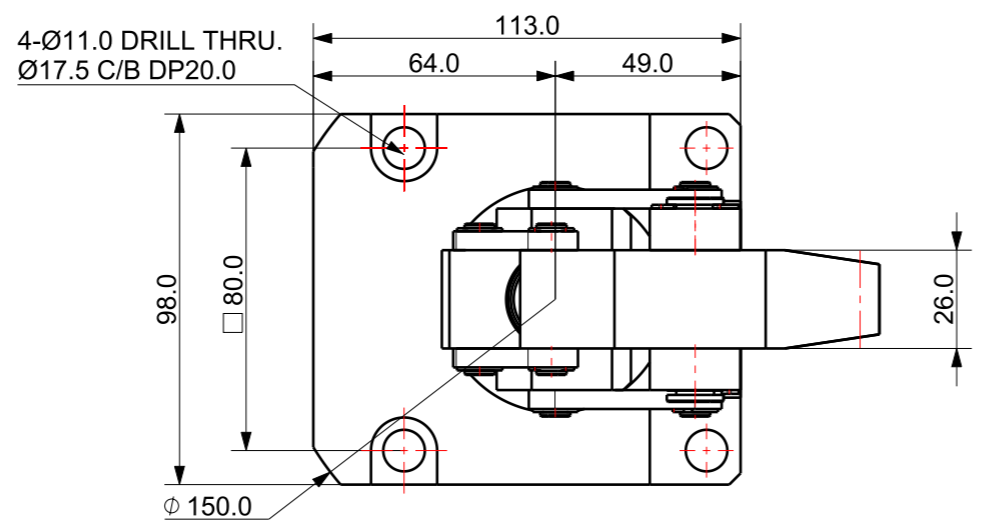


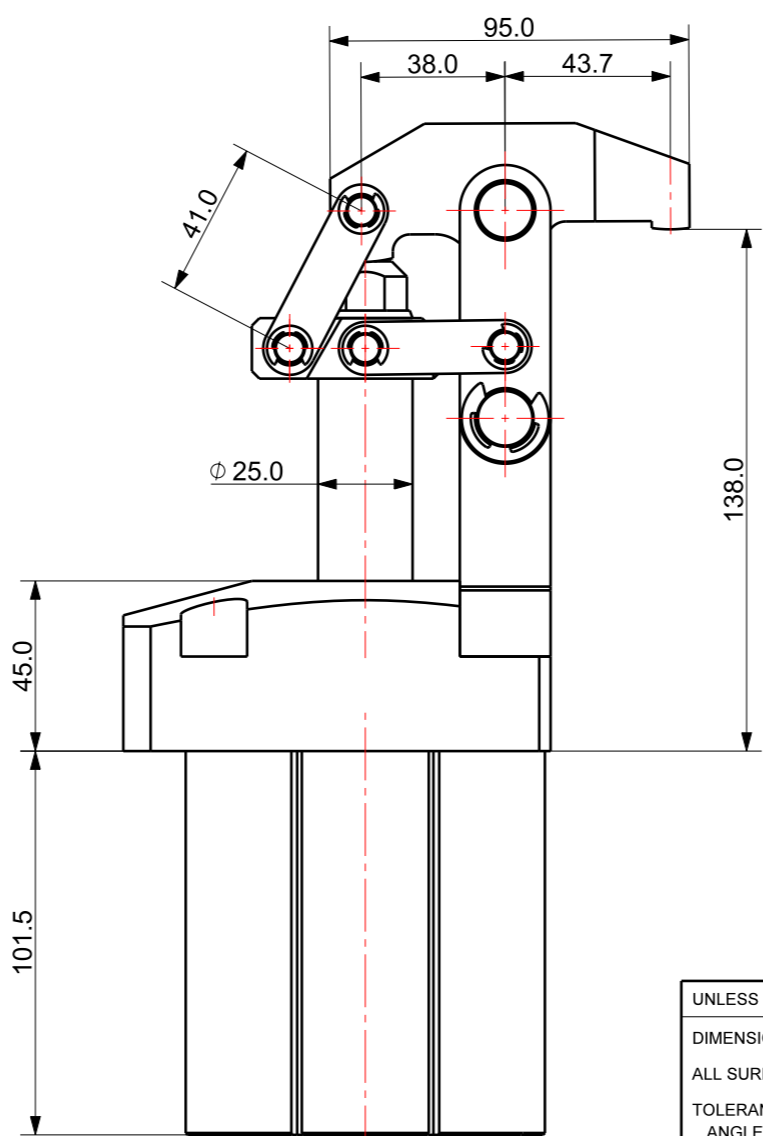
FILE NAME:

REVISIONS

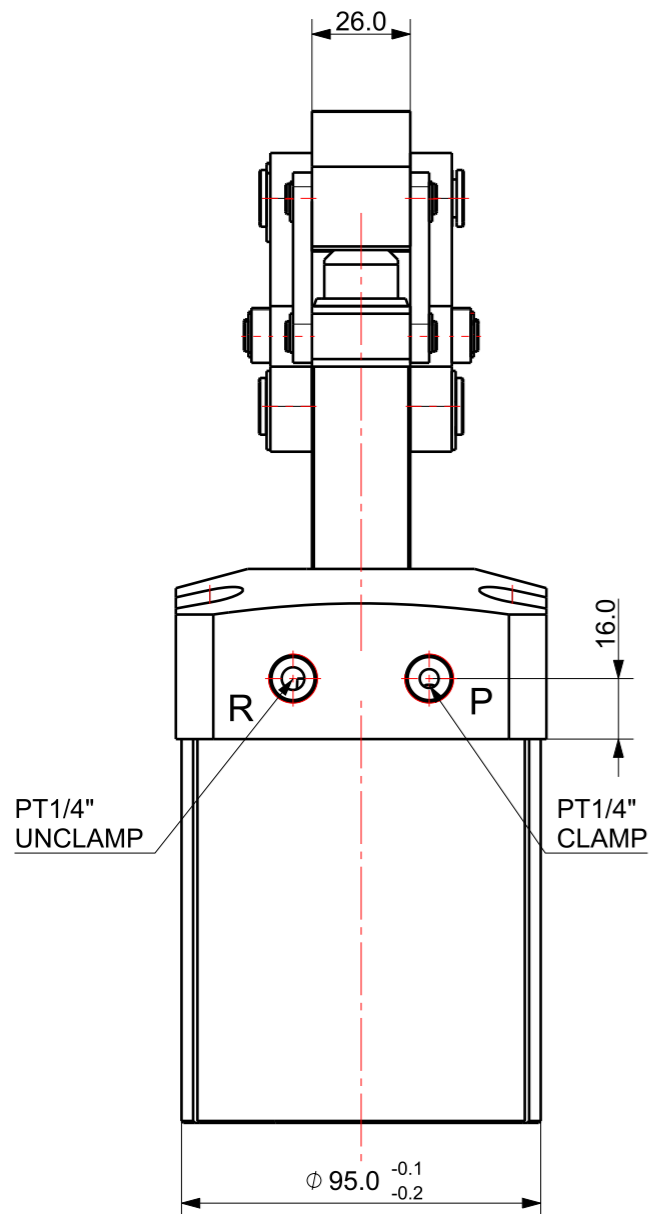
ZONE	LTR	DESCRIPTION	DATE	APPROVED



UNCLAMP STATE 1:2



CLAMP STATE- 1:2



DET. NO	NAME	QTY	MAT'L	FINAL SIZES & PART No	REMARK

UNLESS OTHERWISE SPECIFIED
 DIMENSIONS ARE IN MM
 ALL SURFACES 6.3S
 TOLERANCES
 ANGLE ±
 .X ± 0.15
 .XX ±

FINISH
 BLACK OXIDE
 HEAT TREAT
 HRC18~22

SIGNATURES
 DRAWN
 CHECKED
 APPROVED

MO-DA-YR

WORK ORDER NO

KJF (주)케이제이에프
 TOTAL CLAMPING SYSTEMS

TITLE
MULTI LINK CLAMP

REF DWG NO. ---
 DWG NO. **MLC-6395AE**

SCALE / TOOL PART SHEET OF **A3**