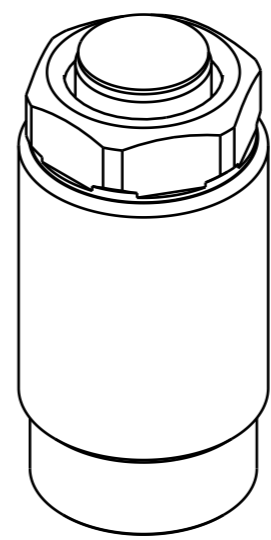
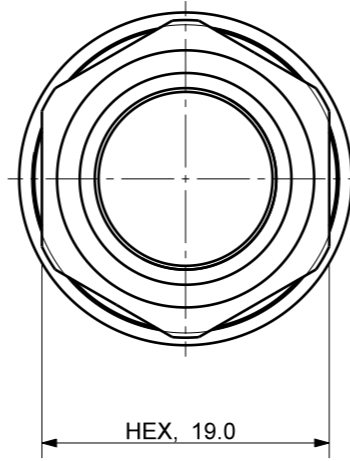
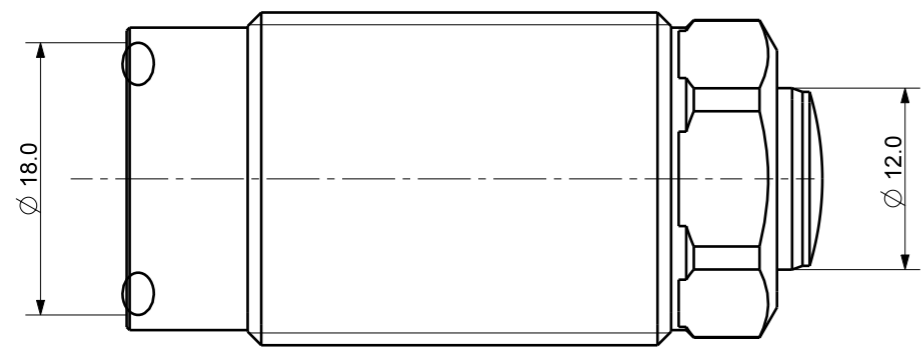


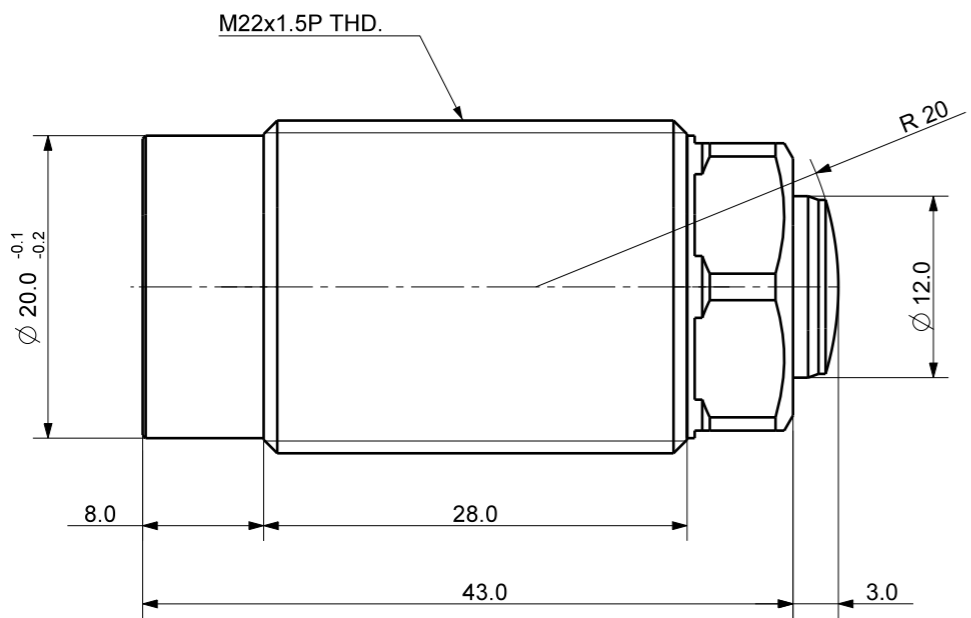
FILE NAME:


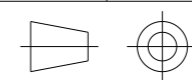
REVISIONS

ZONE	LTR	DESCRIPTION	DATE	APPROVED
△				



Isometric view (3:2)



DET. NO	NAME	QTY	MAT'L	FINAL SIZES & PART No	REMARK
UNLESS OTHERWISE SPECIFIED		SIGNATURES		MO-DA-YR	
DIMENSIONS ARE IN MM		DRAWN		TITLE	
ALL SURFACES 6.3S		CHECKED		 케이제이에프(주) TOTAL CLAMPING SYSTEMS MANIFOLD TYPE THD. BODY CLAMP	
TOLERANCES		APPROVED			
ANGLE ±		WORK ORDER NO		REF DWG NO.	DWG NO
X ±				---	MTB-1210R_-
.X ± 0.15				SCALE	TOOL <input type="checkbox"/> PART <input type="checkbox"/> SHEET
.XX ±					
FINISH					
HEAT TREAT					

A3