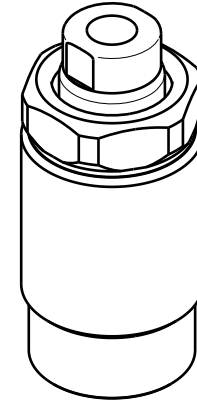
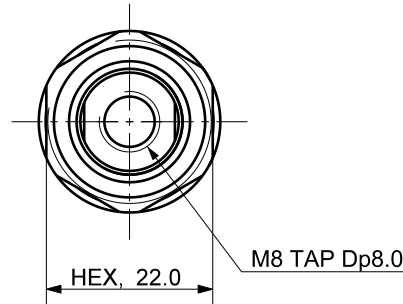
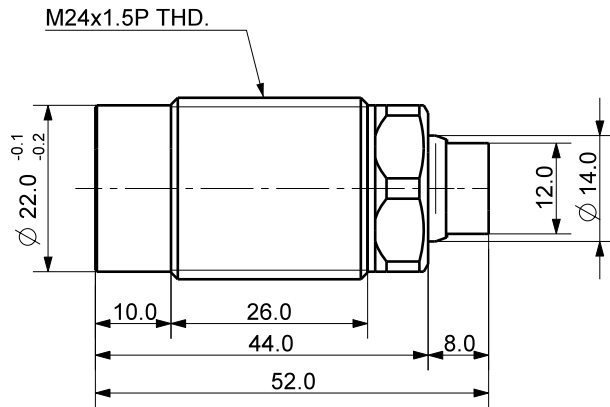


FILE NAME:

REVISIONS

| ZONE | LTR | DESCRIPTION | DATE | APPROVED |
|------|-----|-------------|------|----------|
| | | | | |
| | | | | |



Isometric view (1:1)

| DET.NO | NAME | Q'TY | MAT'L | FINAL SIZES & PART No | REMARK |
|--------|------|------|-------|-----------------------|--------|
| | | | | | |

| | | |
|----------------------------|---------------|----------|
| UNLESS OTHERWISE SPECIFIED | SIGNATURES | MO-DA-YR |
| DIMENSIONS ARE IN MM | DRAWN | |
| ALL SURFACES 6.3S | CHECKED | |
| TOLERANCES | APPROVED | |
| ANGLE \pm | | |
| X. \pm | | |
| .X ± 0.15 | | |
| .XX ± 0.05 | | |
| FINISH | WORK ORDER NO | |
| HEAT TREAT | | |

KJF 케이제이에프(주)
TOTAL CLAMPING SYSTEMS

TITLE
MANIFOLD TYPE THD. BODY CLAMP

| | | |
|-------------|---|----|
| REF DWG NO. | DWG NO | A4 |
| | MTB-1412 | |
| SCALE | TOOL <input type="checkbox"/> PART <input type="checkbox"/> SHEET | OF |