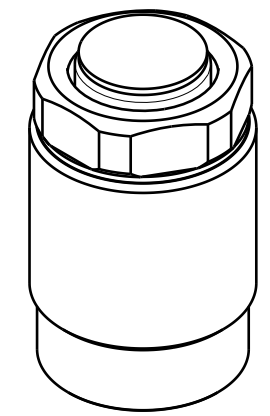
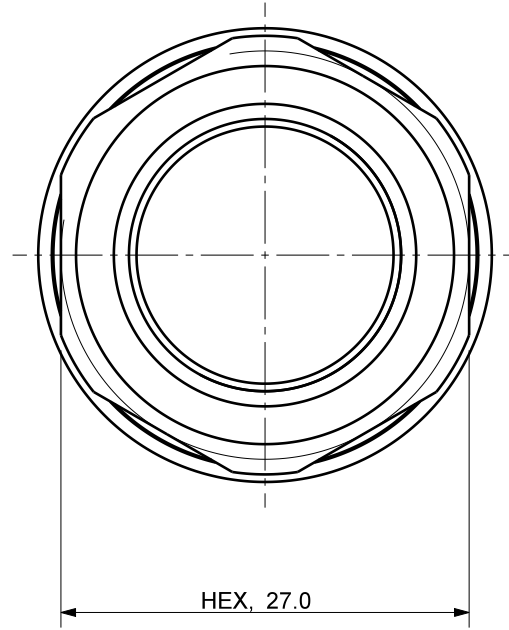
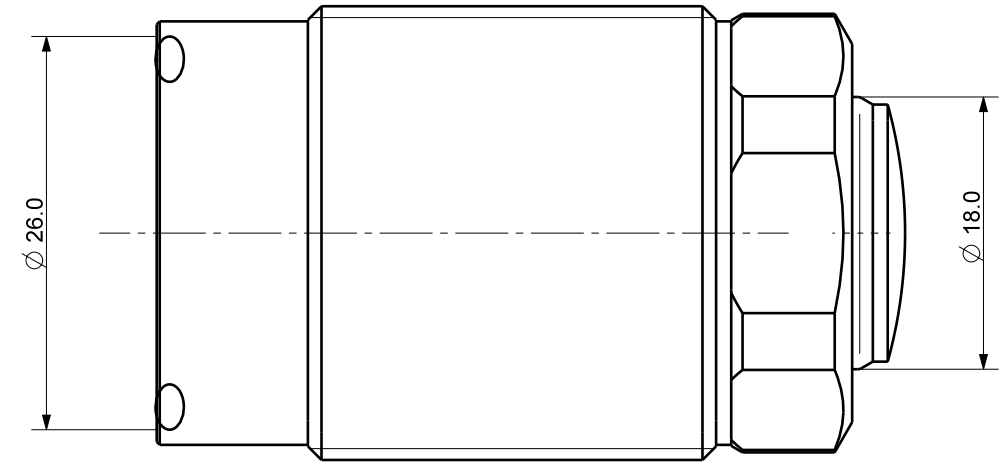


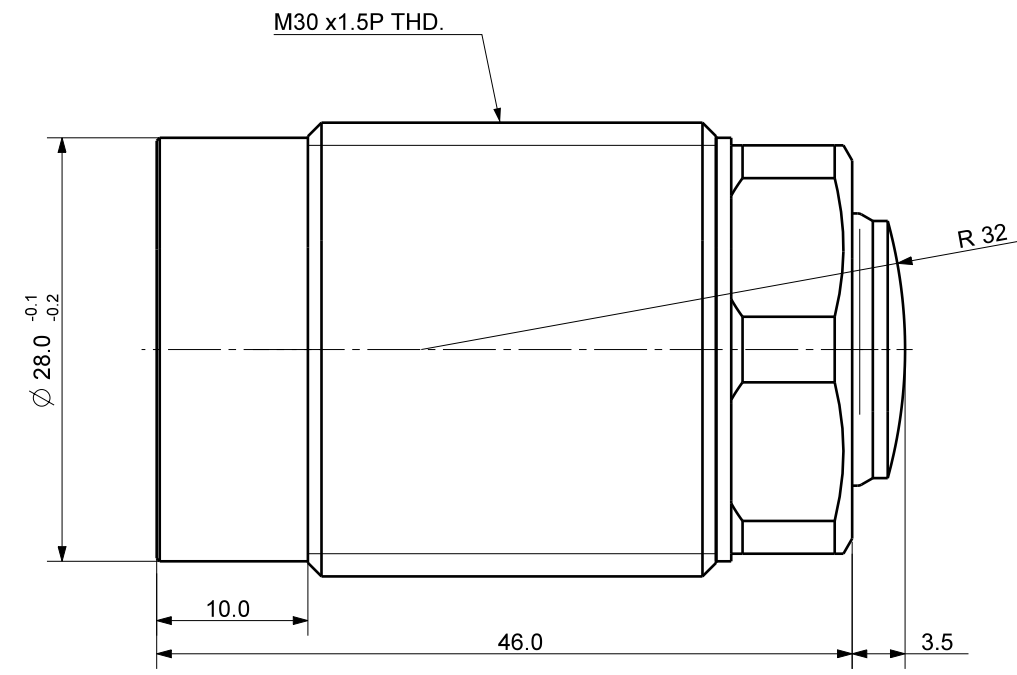
FILE NAME:

REVISIONS

ZONE	LTR	DESCRIPTION	DATE	APPROVED
------	-----	-------------	------	----------




Isometric view (1:1)



DET. NO	NAME	QTY	MAT'L	FINAL SIZES & PART No	REMARK
---------	------	-----	-------	-----------------------	--------

UNLESS OTHERWISE SPECIFIED	SIGNATURES	MO-DA-YR
DIMENSIONS ARE IN MM	DRAWN	
ALL SURFACES 6.3S	CHECKED	
TOLERANCES	APPROVED	
ANGLE ±		
.X ± 0.15		
.XX ±		
FINISH	WORK ORDER NO	REF DWG NO.
HEAT TREAT		DWG NO


**케이제이에프(주)**  
 TOTAL CLAMPING SYSTEMS

**MANIFOLD TYPE THD. BODY CLAMP**

REF DWG NO. --- DWG NO. **MTB-1814R\_-**

SCALE / TOOL  PART  SHEET OF **A3**