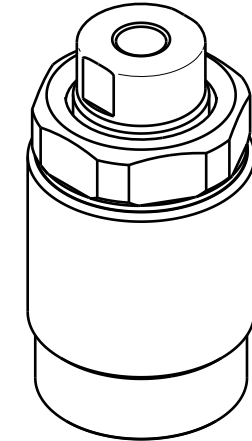
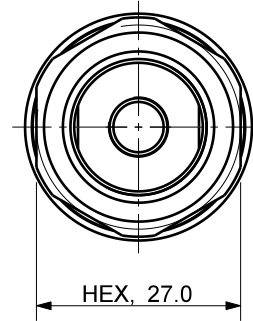
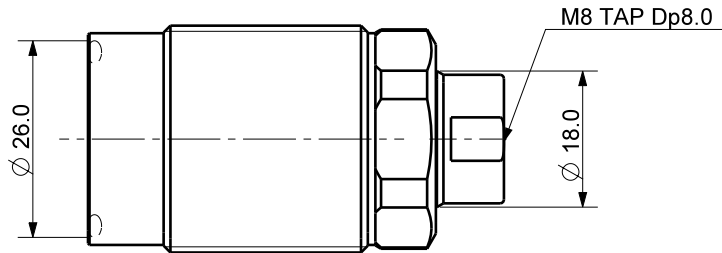


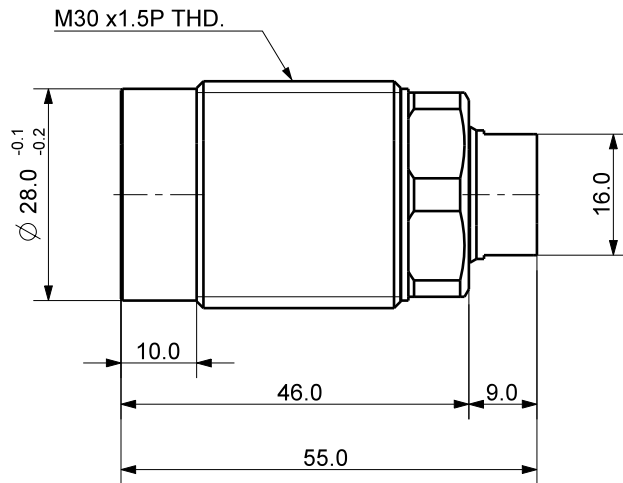
FILE NAME:

REVISIONS

ZONE	LTR	DESCRIPTION	DATE	APPROVED



Isometric view (1:1)



DET.NO	NAME	Q'TY	MAT'L	FINAL SIZES & PART No	REMARK

UNLESS OTHERWISE SPECIFIED	SIGNATURES	MO-DA-YR
DIMENSIONS ARE IN MM	DRAWN	
ALL SURFACES 6.3S	CHECKED	
TOLERANCES	APPROVED	
ANGLE ±		
X. ±		
.X ± 0.15		
.XX ± 0.05		
FINISH	WORK ORDER NO	REF DWG NO.
HEAT TREAT		DWG NO

KJF 케이제이에프(주)
TOTAL CLAMPING SYSTEMS

TITLE
**MANIFOLD TYPE
THD. BODY CLAMP**

REF DWG NO. --- DWG NO **MTB-1814** **A4**

SCALE / TOOL PART SHEET OF